

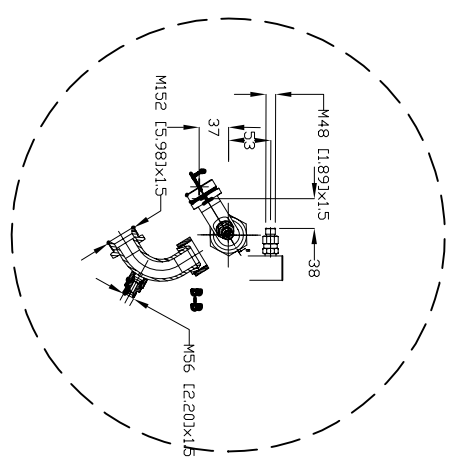
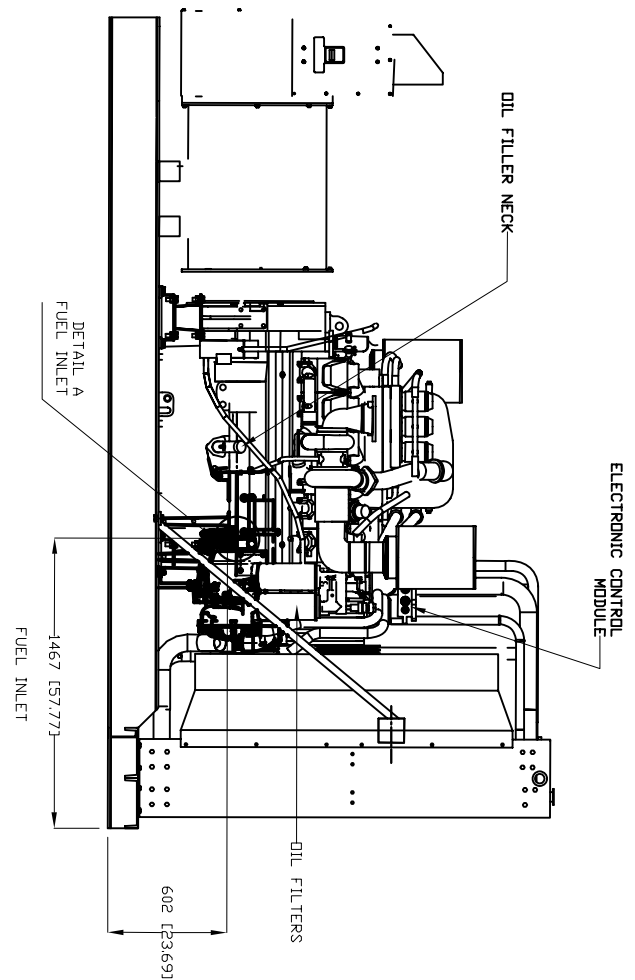
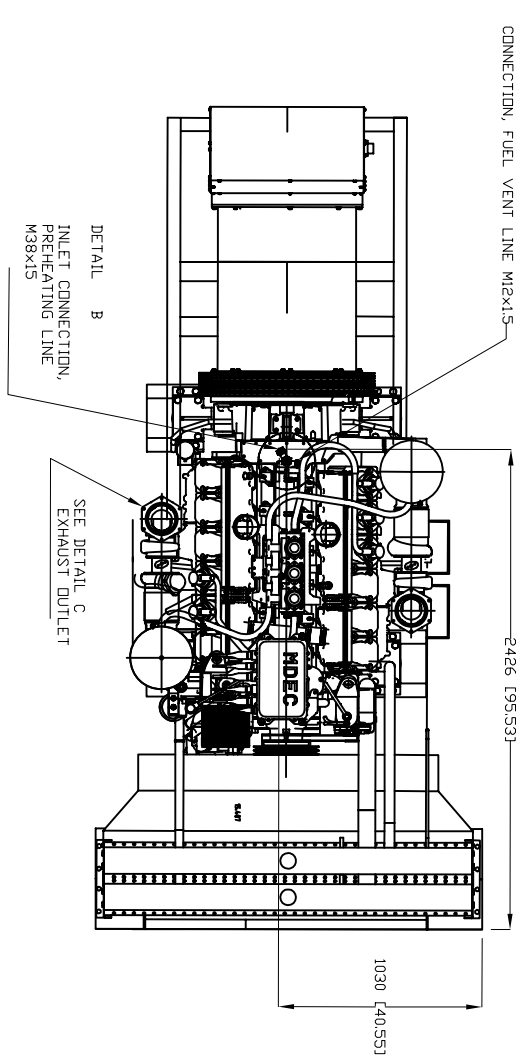
NOTE: DIMENSIONS IN [] ARE INCH

750 KW
60HZ/400 COOLING
12V2000 SERIES DDC
TIER I

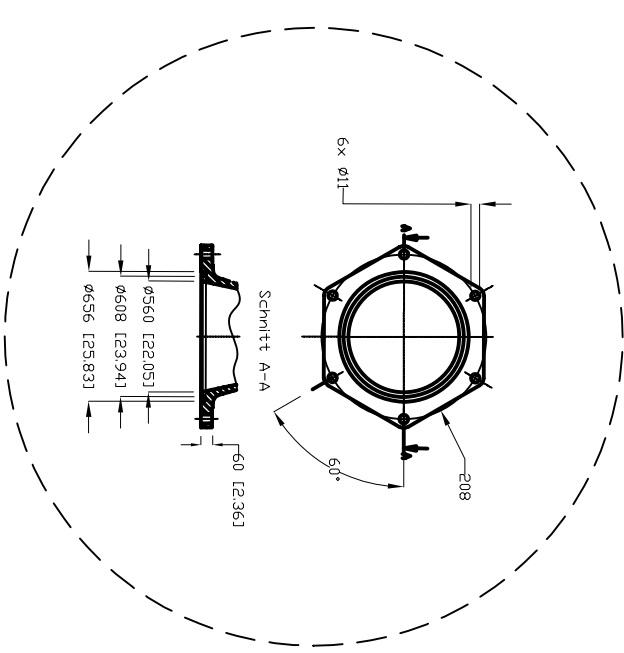
APPLICATE STANDARD	
REVIEW	
NDRM	

DESCRIPTION	REVIEW	NUMBER OF CHANGE	DATE	REVIEW
LIST OF REVISIONS				

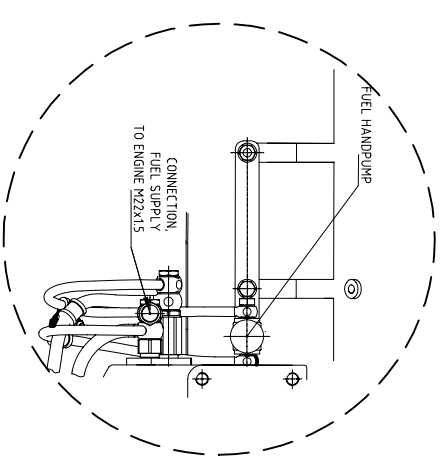
MATERIAL	NA	PART NUMBER	NA	WEIGHT (KG)	NA	FINISH	NA	NOT FINISH	CUSTOMER
STANDARD TOLERANCES OF NOT SPECIFY OTHER									
MANUFACTURING NOT TOLERANCE	TOLERANCES	DECIMAL	LINEAR	DIAMETER	ANGULAR				
RANGE									
0 mm - 250 mm	± 0.1 mm	0	± 0.15	± 0.05	No. DIM				
250 mm - 500 mm	± 0.15 mm	1	± 0.2	± 0.07	CONE CRITICAL DIMENSION				
500 mm - 1250 mm	± 0.2 mm	2	± 0.25	± 0.08					
1250 mm - 10000 mm	± 0.3 mm	3	± 0.3	± 0.1					
		FRACTION							
		1/16							
		1/32							
		1/64							
		1/128							
		1/256							
		1/512							
		1/1024							
		1/2048							
		1/4096							
		1/8192							
		1/16384							
		1/32768							
		1/65536							
		1/131072							
		1/262144							
		1/524288							
		1/1048576							
		1/2097152							
		1/4194304							
		1/8388608							
		1/16777216							
		1/33554432							
		1/67108864							
		1/134217728							
		1/268435456							
		1/536870912							
		1/1073741824							
		1/2147483648							
		1/4294967296							
		1/8589934592							
		1/17179869184							
		1/34359738368							
		1/68719476736							
		1/137438953472							
		1/274877906944							
		1/549755813888							
		1/1099511627776							
		1/2199023255552							
		1/4398046511104							
		1/8796093022208							
		1/1759218644416							
		1/3518437288832							
		1/7036874577664							
		1/14073749153328							
		1/28147498306656							
		1/56294996613312							
		1/11258999326624							
		1/22517998653248							
		1/45035997306496							
		1/90071994612992							
		1/180143989255968							
		1/360287978511936							
		1/720575957023872							
		1/1441151914447648							
		1/2882303828895296							
		1/5764607657790592							
		1/11529215315581184							
		1/23058430631162368							
		1/46116861262324736							
		1/92233722524649472							
		1/184467451093089536							
		1/368934902186179072							
		1/737869804372358144							
		1/147573968744471688							
		1/295147937488943376							
		1/590295874977886752							
		1/118059174977886752							
		1/236118349955773504							
		1/472236699911514008							
		1/944473399823028016							
		1/1888946798460576032							
		1/3777893596921152064							
		1/7555787193842304128							
		1/1511157437768460256							
		1/3022314875536920512							
		1/6044629751073841024							
		1/1208925950214762048							
		1/2417851900429524096							
		1/4835703800859048192							
		1/9671407601718096384							
		1/1934281520343618768							
		1/3868563040687237536							
		1/7737126081374475072							
		1/1547425216748950144							
		1/3094850433497900288							
		1/6189700866995800576							
		1/12379401733911601152							
		1/24758803467823202304							
		1/49517606935646404608							
		1/99035213871292809216							
		1/198070427722595618432							
		1/396140855445191236864							
		1/792281710890382473728							
		1/1584563421780764951552							
		1/3169126843761529903104							
		1/6338253687523059806208							
		1/1267650737523059806208							
		1/2535301475046119612416							
		1/5070602950092239224832							
		1/1014120590018464447664							
		1/2028241180036928895328							
		1/4056482360073857790656							
		1/8112964720147715381312							
		1/1622592944029442716224							
		1/3245185888058885432448							
		1/6490371776117770864896							
		1/1298074354235551729792							
		1/2596148708471103459584							
		1/5192297416942206919168							
		1/10384594833884413838336							
		1/20769189667768827676672							
		1/41538379335537655353344							
		1/830767586710753107066688							
		1/1661535173215105414133376							
		1/332307034643021082826672							
		1/664614069286042165653344							
		1/1329228138573244313106688							
		1/2658456271446488626213376							
		1/531691254289297725242672							
		1/1063382508578595504453144							
		1/212676501715719100890688							
		1/425353003431438201781376							
		1/850706006862876435562752							
		1/1701412013725752871125504							
		1/3402824027451505742251008							
		1/6805648054903011484502016							
		1/13611296109806022729004032							
		1/27222592219612045458008064							
		1/54445184439224090916016128							
		1/108890368784480181832032256							
		1/217780737568960363664064512							
		1/4355614751379207273281281024							
		1/8711229502758414546562562048							
		1/1742245901517682909312514096							
		1/348449180303536581862514096							
		1/69689836060707316372514096							
		1/1393796721214146327514096							
		1/278759344242829265514096							
		1/55751868848565853114096							
		1/111503737697131706228288							
		1/223007475394263412456576							
		1/446014950788526824913152							
		1/892029901577053649826304							
		1/1784059803154106799726208							
		1/3568119606308213594452416							
		1/7136239212616427188904832							
		1/14272478425232853777809664							
		1/28544956850465707555619328							
		1/57089913700931415111318656							
		1/11417982740182830222267312							
		1/22835965480365660444534624							
		1/45671930960731321289069248							
		1/91343861921462642578138496							
		1/182687723843253251556273984							
		1/365375447686506503113255776							
		1/7307508953730130122265155776							
		1/14615017907460260244531155776							
		1/2923003581492052048906231155776							
		1/584600716298410409781246231155776							
		1/116920143259682081956249246231155776							
		1/23384028651936416391249246231155776							
		1/467							



DETAIL C
EXHAUST OUTLET



DETAIL A
FUEL INLET



NOTE: DIMENSIONS IN [] ARE INCH

750 KW
60Hz/400 COOLING
12V2000 SERIES DDC
TIER I

APPLICATE STANDARD	
REVIEW	
NDRM	

DESCRIPTION	REVIEW	NUMBER OF CHANGE	DATE	REVIEW
LIST OF REVISIONS				

MATERIAL	NA	PART NUMBER	NA	WEIGHT (kg)	NA	FINISH	NA	NOT FINISH	NA	CUSTOMER
STANDARD TOLERANCES OF NOT SPECIFY OTHER										
MANUFACTURING NOT TOLERANCE	TOLERANCES	DECIMAL	LINEAR	DIAMETER	ANGULAR					
RANGE					No. DIM					
0 mm - 200 mm	± 0.1 mm	0	± 0.05	± 0.05	90 ±					
200 mm - 500 mm	± 0.15 mm	1	± 0.07	± 0.07	90 ±					
500 mm - 1200 mm	± 0.2 mm	2	± 0.07	± 0.07	90 ±					
1200 mm - 10000 mm	± 0.3 mm	3	± 0.07	± 0.07	90 ±					
		FRACTION			APPROVE WITH GAUGE					
THE INFORMATION CONTAINED IN THESE DOCUMENT IS PROPERTY EXCLUSIVE OF MAQUINARIA ICSA. THEREFORE, THE TOTAL OR PARTIAL REPRODUCTION WITHOUT NOT CONSENT CANNOT WRITING BE USED OF MAQUINARIA ICSA S.A. DE C.										
MAQUINARIA ICSA S.A. DE C.V. INGENIERIA Y FABRICACION DE MAQUINARIA PARA LA GENERACION DE ENERGIA ELÉCTRICA EN CENTRALES ELÉCTRICAS Y EN SISTEMAS DE TRAMITACIÓN DE ENERGÍA ELÉCTRICA. GENERAL ADJUSTMENT GENSET 750 KW WITH INTEGRATED										
DATE		DATE	DATE	DATE	DATE	DATE	DATE	DATE	DATE	DATE
18-05-97	18-05-97	18-05-97	18-05-97	18-05-97	18-05-97	18-05-97	18-05-97	18-05-97	18-05-97	18-05-97
SCALE	SCALE	SCALE	SCALE	SCALE	SCALE	SCALE	SCALE	SCALE	SCALE	SCALE
1:1	1:1	1:1	1:1	1:1	1:1	1:1	1:1	1:1	1:1	1:1
GSSDD10750M 3073										