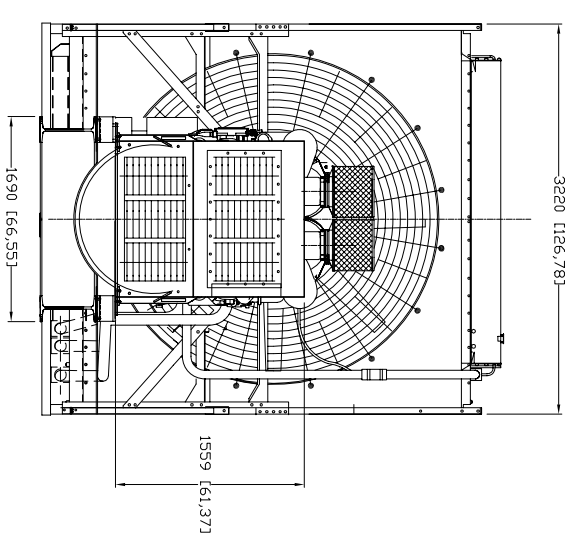
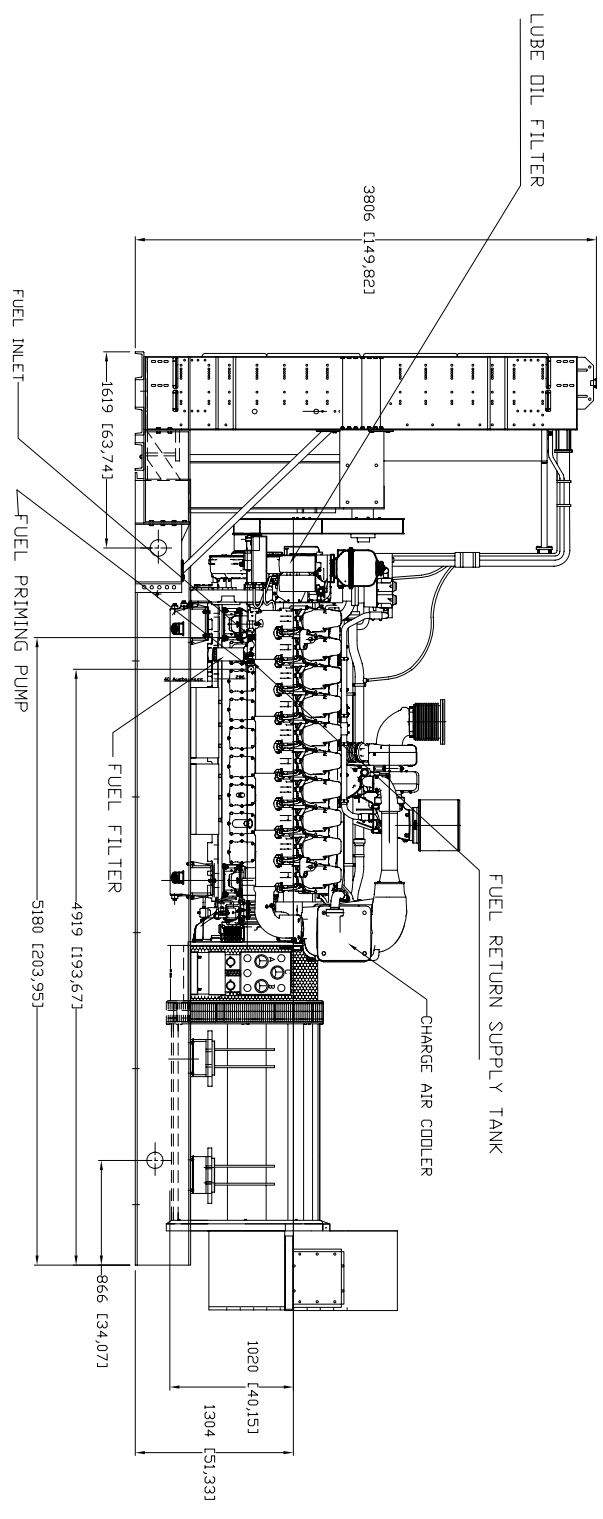
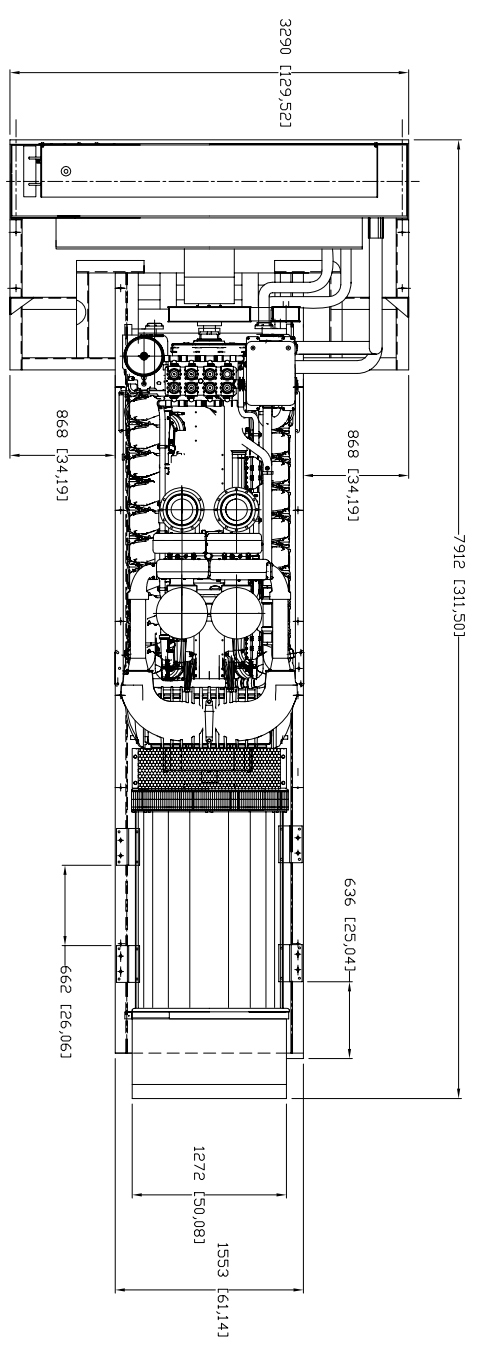


1 2 3 4 5 6 7 8 9 10 11 12



GENSET 3000KW GENERAL FEATURES WITH CHASSIS					
ASSEMBLY NUMBER	CAPACITY KW	DETROIT DIESEL ENGINE MODEL	ALTERNATOR MARATHON MODEL	WEIGHT WITHOUT DIESEL kg	FUEL CONSUMPTION WITH LOAD IN G/KWH AND ENGINE POWER: at 75% at 100%
GS-D0-300PM	3000	12V4000G91	1030FDM1204	25586	211 204

APPLICATE STANDARD	REVIEW
NDRM	

NOTE: DIMENSIONS IN [ ] ARE INCH

DESCRIPTION	REVIEW	NUMBER OF CHANGE	DATE	REVIEW
LIST OF REVISIONS				

3000 K.W  
60HZ/40C COOLING  
20V/4000 SERIES DDC  
TIER II

FD-G1-01-02 REV.01

COPY CONTROLLED

COPY NOT CONTROLLED

OBSOLETE DATE

1 of 3

MATERIAL	PART NUMBER	WEIGHT (KG)	FINISH	NOT FINISH
NA	NA	NA	NA	NA

MANUFACTURING TOLERANCE	DECIMAL	LINEAR	DIAMETER	ANGULAR
RANGE				
0 mm - 200 mm	± 0.1 mm	± 0.12	± 0.08	No. DIM
200 mm - 1270 mm	± 0.2 mm	± 0.07	± 0.08	90° ±
1270 mm - 10000 mm	± 0.3 mm	± 0.07	± 0.08	CODE CERTIF. DIMENSION

FRACCTION	REMARKS
3	

APPROVE WITH GAUGE
<input type="checkbox"/>

DATE	DESIGNER	REVIEW	APPROVED
08-06-07	ALCS	RTR	HBR

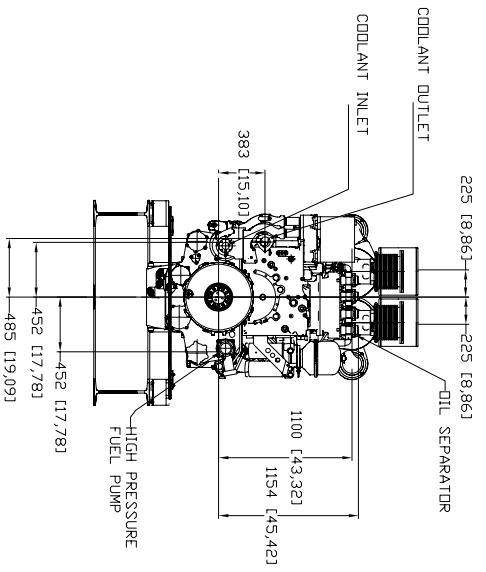
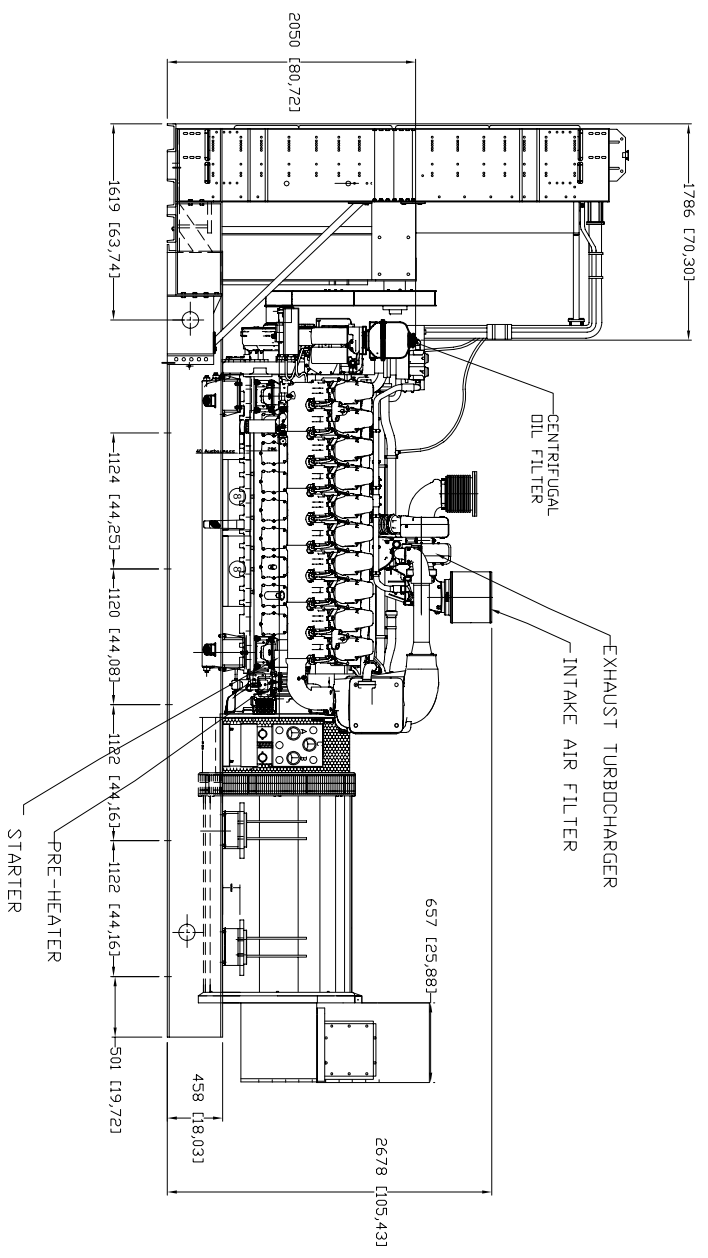
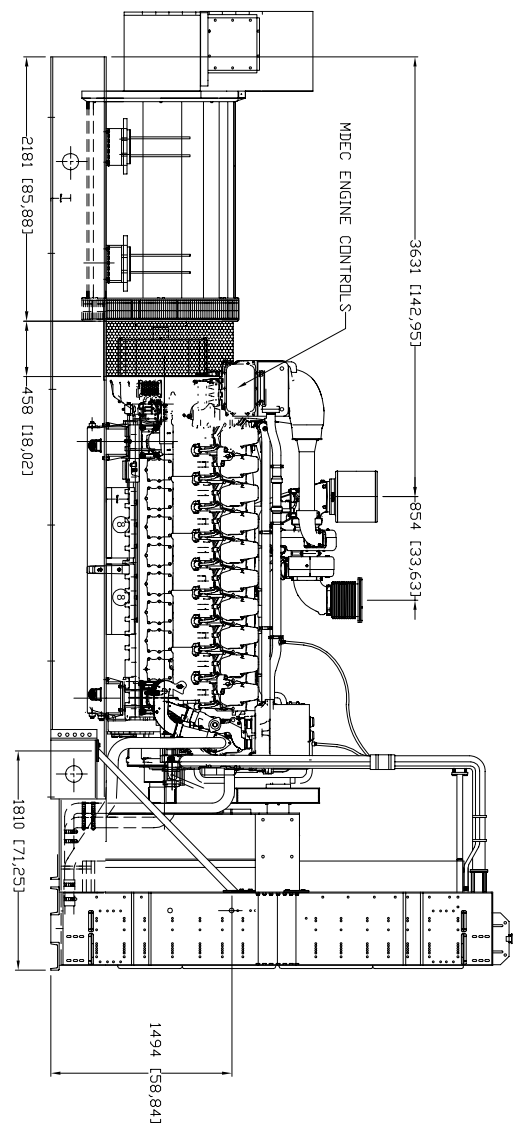
  

SCALE	TITLE
1:1	GENERAL ADJUSTMENT GENSET 3000 KW

MAQUINARIA IGSA S.A. DE C.V.  
 LA EMPRESA SE RESPONSABILIZA DE LOS DATOS QUE SE PRESENTAN EN ESTE DISEÑO Y DE LA VERIFICACION DE LOS DATOS DE LOS COMPONENTES QUE SE PRESENTAN EN ESTE DISEÑO. EL DISEÑO ES PROPIEDAD DE MAQUINARIA IGSA S.A. DE C.V.  
 GENERAL ADJUSTMENT GENSET 3000 KW





APPLICATE STANDARD	
REVIEW	
NDRM	

NOTE: DIMENSIONS IN [ ] ARE INCH

3000 K.W  
60HZ/40C COOLING  
20V/4000 SERIES DDC  
TIER II

DESCRIPTION	REVIEW	NUMBER OF CHANGE	DATE	REVIEW
LIST OF REVISIONS				

FD-G1-01-02 REV.02

COPY CONTROLLED

COPY NOT CONTROLLED

OBSOLETE DATE

30F3

MATERIAL	NA	PART NUMBER	NA	WEIGHT (KG)	NA	FINISH	NA	NOT FINISH	NA																																																																																																																																																
<table border="1"> <tr> <th colspan="2">MANUFACTURING NOT TOLERANCES</th> <th colspan="2">MANUFACTURING TOLERANCE</th> <th colspan="2">ANGULAR</th> </tr> <tr> <td>RANGE</td> <td>TOLERANCES</td> <td>DECIMAL</td> <td>LINEAR</td> <td>DIAMETER</td> <td>NOT FINISH</td> </tr> <tr> <td>0 mm - 200 mm</td> <td>± 0.1 mm</td> <td>0</td> <td>± 0.02</td> <td>± 0.02</td> <td>No. DIM</td> </tr> <tr> <td>201 mm - 1200 mm</td> <td>± 0.2 mm</td> <td>1</td> <td>± 0.03</td> <td>± 0.03</td> <td>DIM</td> </tr> <tr> <td>1201 mm - 12000 mm</td> <td>± 0.3 mm</td> <td>2</td> <td>± 0.04</td> <td>± 0.04</td> <td></td> </tr> <tr> <td></td> <td>± 0.5 mm</td> <td>3</td> <td>± 0.05</td> <td>± 0.05</td> <td></td> </tr> <tr> <td></td> <td>± 1.0 mm</td> <td>4</td> <td>± 0.07</td> <td>± 0.07</td> <td></td> </tr> <tr> <td></td> <td></td> <td>5</td> <td>± 0.10</td> <td>± 0.10</td> <td></td> </tr> <tr> <td></td> <td></td> <td>6</td> <td>± 0.15</td> <td>± 0.15</td> <td></td> </tr> <tr> <td></td> <td></td> <td>7</td> <td>± 0.20</td> <td>± 0.20</td> <td></td> </tr> <tr> <td></td> <td></td> <td>8</td> <td>± 0.30</td> <td>± 0.30</td> <td></td> </tr> <tr> <td></td> <td></td> <td>9</td> <td>± 0.40</td> <td>± 0.40</td> <td></td> </tr> <tr> <td></td> <td></td> <td>10</td> <td>± 0.50</td> <td>± 0.50</td> <td></td> </tr> <tr> <td></td> <td></td> <td>11</td> <td>± 0.60</td> <td>± 0.60</td> <td></td> </tr> <tr> <td></td> <td></td> <td>12</td> <td>± 0.80</td> <td>± 0.80</td> <td></td> </tr> <tr> <td></td> <td></td> <td>13</td> <td>± 1.00</td> <td>± 1.00</td> <td></td> </tr> <tr> <td></td> <td></td> <td>14</td> <td>± 1.50</td> <td>± 1.50</td> <td></td> </tr> <tr> <td></td> <td></td> <td>15</td> <td>± 2.00</td> <td>± 2.00</td> <td></td> </tr> <tr> <td></td> <td></td> <td>16</td> <td>± 3.00</td> <td>± 3.00</td> <td></td> </tr> <tr> <td></td> <td></td> <td>17</td> <td>± 4.00</td> <td>± 4.00</td> <td></td> </tr> <tr> <td></td> <td></td> <td>18</td> <td>± 5.00</td> <td>± 5.00</td> <td></td> </tr> <tr> <td></td> <td></td> <td>19</td> <td>± 6.00</td> <td>± 6.00</td> <td></td> </tr> <tr> <td></td> <td></td> <td>20</td> <td>± 8.00</td> <td>± 8.00</td> <td></td> </tr> <tr> <td></td> <td></td> <td>21</td> <td>± 10.00</td> <td>± 10.00</td> <td></td> </tr> </table>										MANUFACTURING NOT TOLERANCES		MANUFACTURING TOLERANCE		ANGULAR		RANGE	TOLERANCES	DECIMAL	LINEAR	DIAMETER	NOT FINISH	0 mm - 200 mm	± 0.1 mm	0	± 0.02	± 0.02	No. DIM	201 mm - 1200 mm	± 0.2 mm	1	± 0.03	± 0.03	DIM	1201 mm - 12000 mm	± 0.3 mm	2	± 0.04	± 0.04			± 0.5 mm	3	± 0.05	± 0.05			± 1.0 mm	4	± 0.07	± 0.07				5	± 0.10	± 0.10				6	± 0.15	± 0.15				7	± 0.20	± 0.20				8	± 0.30	± 0.30				9	± 0.40	± 0.40				10	± 0.50	± 0.50				11	± 0.60	± 0.60				12	± 0.80	± 0.80				13	± 1.00	± 1.00				14	± 1.50	± 1.50				15	± 2.00	± 2.00				16	± 3.00	± 3.00				17	± 4.00	± 4.00				18	± 5.00	± 5.00				19	± 6.00	± 6.00				20	± 8.00	± 8.00				21	± 10.00	± 10.00	
MANUFACTURING NOT TOLERANCES		MANUFACTURING TOLERANCE		ANGULAR																																																																																																																																																					
RANGE	TOLERANCES	DECIMAL	LINEAR	DIAMETER	NOT FINISH																																																																																																																																																				
0 mm - 200 mm	± 0.1 mm	0	± 0.02	± 0.02	No. DIM																																																																																																																																																				
201 mm - 1200 mm	± 0.2 mm	1	± 0.03	± 0.03	DIM																																																																																																																																																				
1201 mm - 12000 mm	± 0.3 mm	2	± 0.04	± 0.04																																																																																																																																																					
	± 0.5 mm	3	± 0.05	± 0.05																																																																																																																																																					
	± 1.0 mm	4	± 0.07	± 0.07																																																																																																																																																					
		5	± 0.10	± 0.10																																																																																																																																																					
		6	± 0.15	± 0.15																																																																																																																																																					
		7	± 0.20	± 0.20																																																																																																																																																					
		8	± 0.30	± 0.30																																																																																																																																																					
		9	± 0.40	± 0.40																																																																																																																																																					
		10	± 0.50	± 0.50																																																																																																																																																					
		11	± 0.60	± 0.60																																																																																																																																																					
		12	± 0.80	± 0.80																																																																																																																																																					
		13	± 1.00	± 1.00																																																																																																																																																					
		14	± 1.50	± 1.50																																																																																																																																																					
		15	± 2.00	± 2.00																																																																																																																																																					
		16	± 3.00	± 3.00																																																																																																																																																					
		17	± 4.00	± 4.00																																																																																																																																																					
		18	± 5.00	± 5.00																																																																																																																																																					
		19	± 6.00	± 6.00																																																																																																																																																					
		20	± 8.00	± 8.00																																																																																																																																																					
		21	± 10.00	± 10.00																																																																																																																																																					
THE INFORMATION CONTAINED IN THESE DOCUMENT IS PROPERTY EXCLUSIVE OF MAQUINARIA IGSA THEREFORE, THE TOTAL OR PARTIAL REPRODUCTION WITHOUT NOT CONSENT CANNOT WRITING BE USED BY MAQUINARIA IGSA S.A DE C.																																																																																																																																																									
<table border="1"> <tr> <td>DATE</td> <td>08-06-07</td> <td>DRAWN</td> <td>ALCS</td> <td>REVIEW</td> <td>RTR</td> <td>APPROVED</td> <td>HJB</td> <td>REV.</td> <td>01</td> </tr> <tr> <td>SCALE</td> <td>1:1</td> <td>TITLE</td> <td>GENERAL ADJUSTMENT GENSET 3000 KW</td> <td>PROJECT NUMBER</td> <td>GSD013000M</td> <td>SHEET</td> <td>01</td> <td></td> <td></td> </tr> </table>										DATE	08-06-07	DRAWN	ALCS	REVIEW	RTR	APPROVED	HJB	REV.	01	SCALE	1:1	TITLE	GENERAL ADJUSTMENT GENSET 3000 KW	PROJECT NUMBER	GSD013000M	SHEET	01																																																																																																																														
DATE	08-06-07	DRAWN	ALCS	REVIEW	RTR	APPROVED	HJB	REV.	01																																																																																																																																																
SCALE	1:1	TITLE	GENERAL ADJUSTMENT GENSET 3000 KW	PROJECT NUMBER	GSD013000M	SHEET	01																																																																																																																																																		
MAQUINARIA IGSA S.A DE C.V. LA EMPRESA DE INGENIERIA Y SERVICIOS DE MAQUINARIA IGSA S.A DE C.V. SE ENCONTRA SUJETA A LA LEY DE PROTECCION DE DATOS PERSONALES EN SU ARTICULO 67. EL DISEÑO Y EL DISEÑO DE ESTE DOCUMENTO SON PROPIEDAD EXCLUSIVA DE MAQUINARIA IGSA S.A DE C.V. Y NO SE DEBE REPRODUCIR NI DISTRIBUIR SIN EL CONSENTIMIENTO PREVIO POR ESCRITO DE MAQUINARIA IGSA S.A DE C.V.																																																																																																																																																									