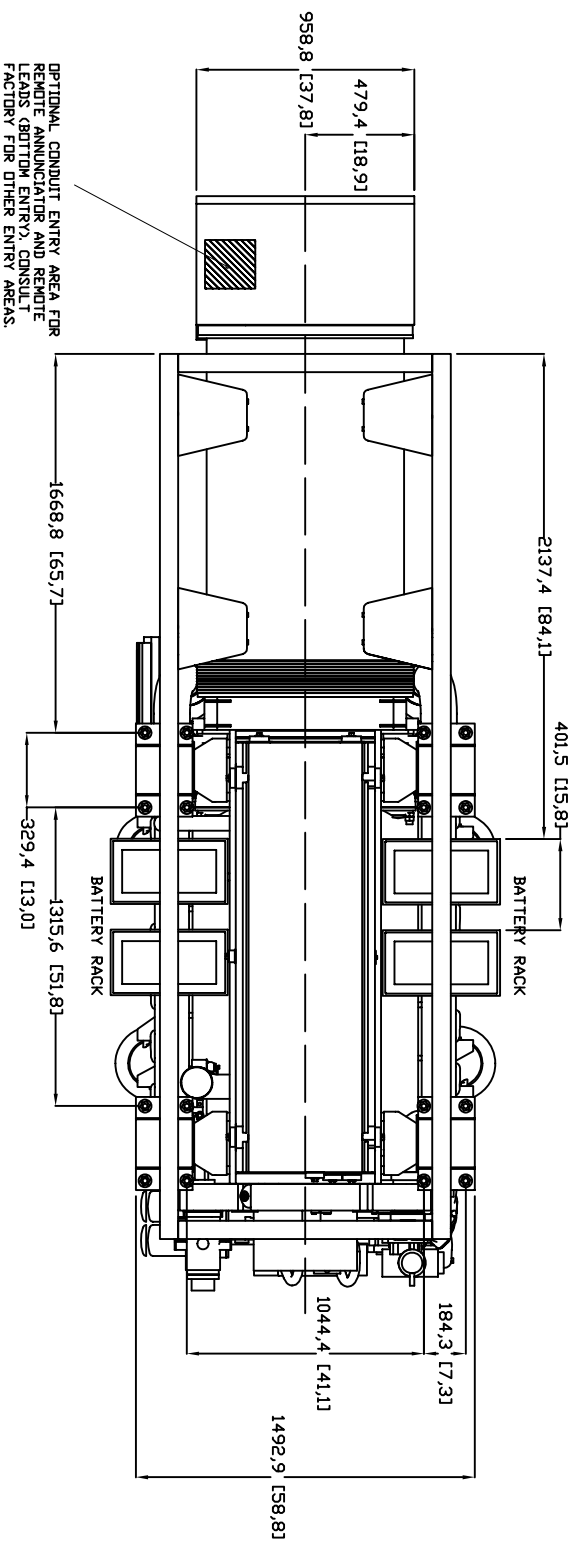
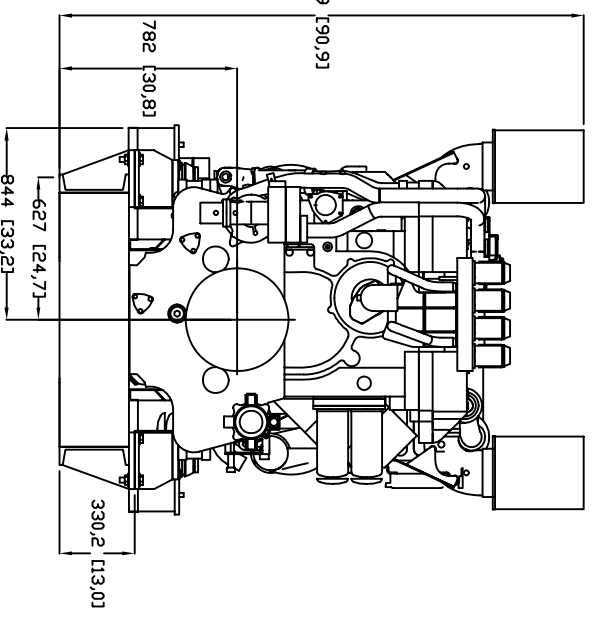
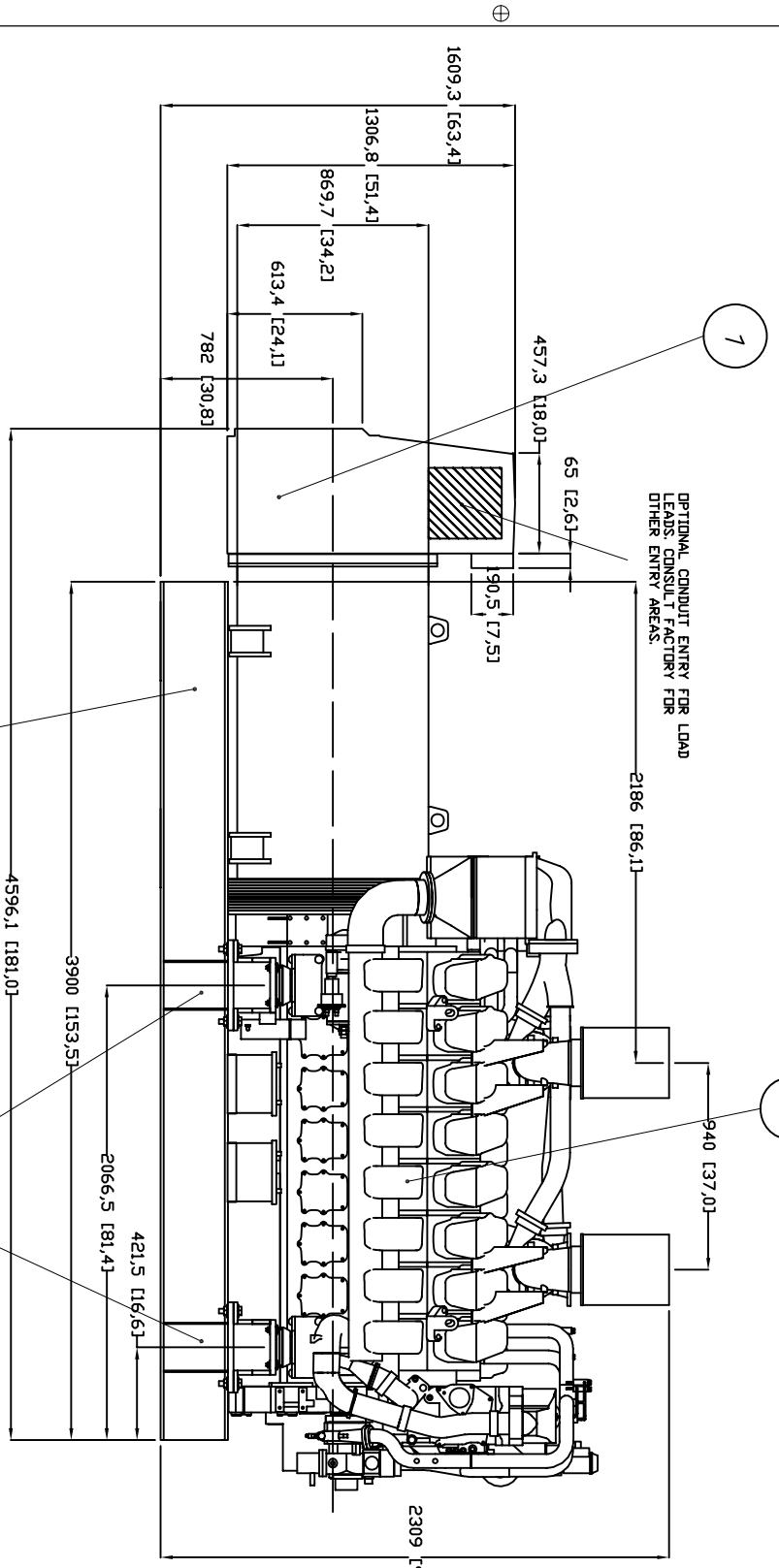


| | | | | | | | | | | | |
|----|-------------|---------------------------------------|----------|---|---|---|---|---|----|----|----|
| 1 | 2 | 3 | 4 | 5 | 6 | 7 | 8 | 9 | 10 | 11 | 12 |
| No | PART NUMBER | DESCRIPTION | QUANTITY | | | | | | | | |
| 1 | PR 200287A | MARATHON Z4FRSL4086 2000KW ALTERNATOR | 1 | | | | | | | | |
| 2 | PR 200288A | DETROIT DIESEL 16V4000 ENGINE MTU | 1 | | | | | | | | |
| 3 | PR 200286A | POWER GENERATOR BASE | 1 | | | | | | | | |



INSTALLATION NOTE:
USE THE ANCHOR HOLES TO HOLD THE ELECTRIC PLANT

NOTE:
MAXIMUM WEIGHT OF GENSET
LESS ACCESSORIES:
12,771 KG (28,155 LBS)



OIL DRAIN LOCATION (OPPOSITE SIDE)

NOTE: DIMENSIONS IN [] ARE INCH

| | |
|--------------------|--------|
| APPLICATE STANDARD | REVIEW |
| NDRM | |

FD-G1-01-02 REV.02

COPY CONTROLLED

COPY NOT CONTROLLED

OBSOLETE DATE

| DESCRIPTION | REVIEW | NUMBER OF CHANGE | DATE | REVIEW |
|--|--------|------------------|------|--------|
| LIST OF REVISIONS | | | | |
| 2000 KW 60HZ/40C COOLING 16V4000 SERIES DDC TIER II | | | | |

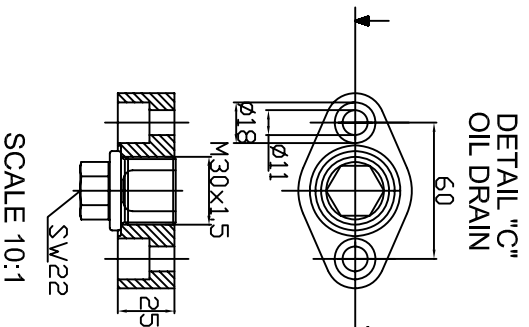
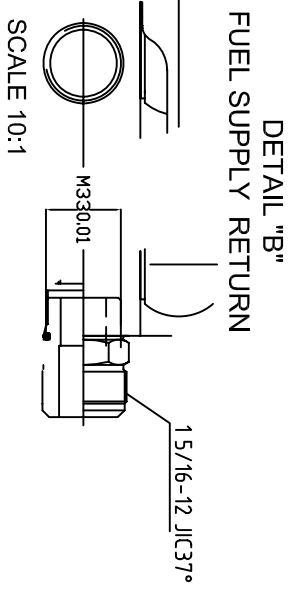
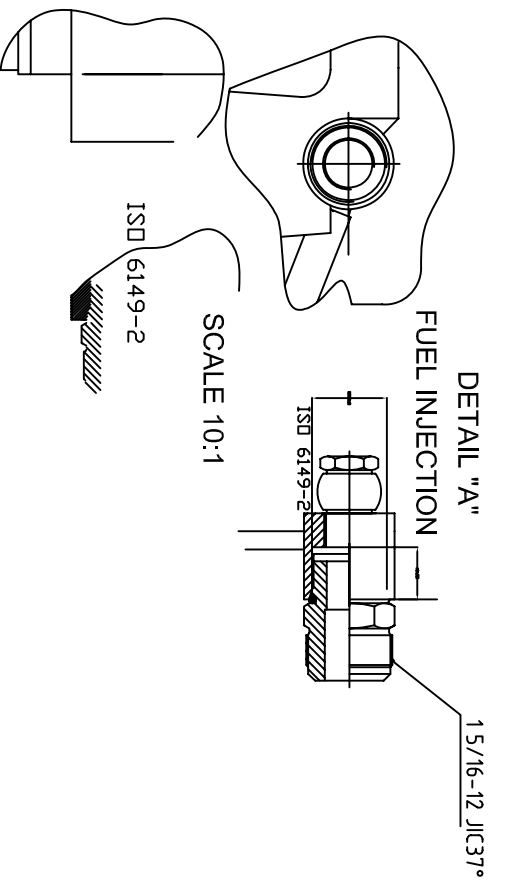
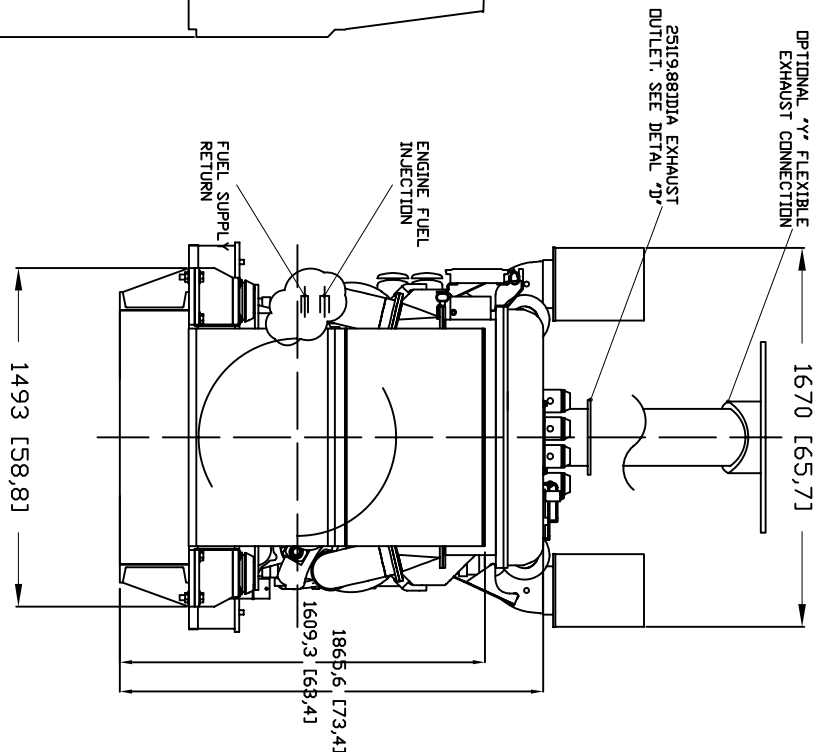
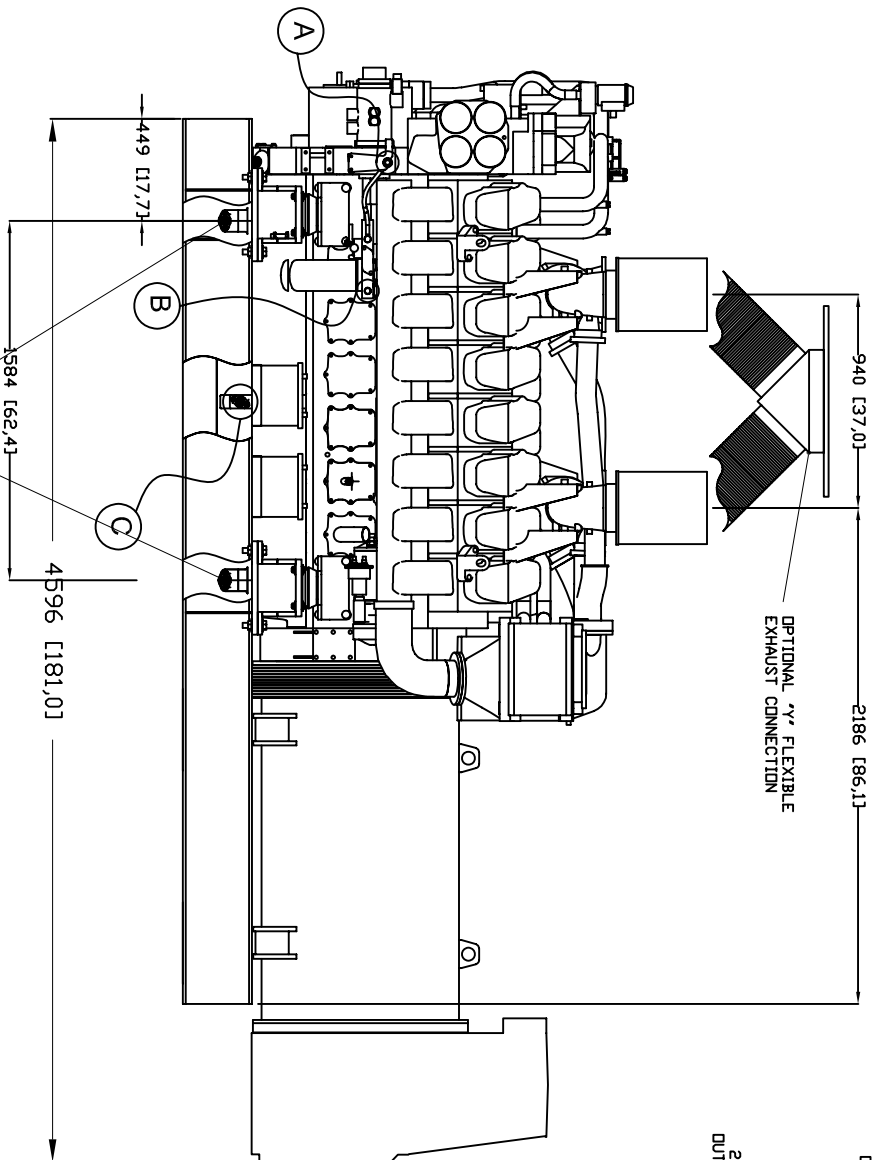
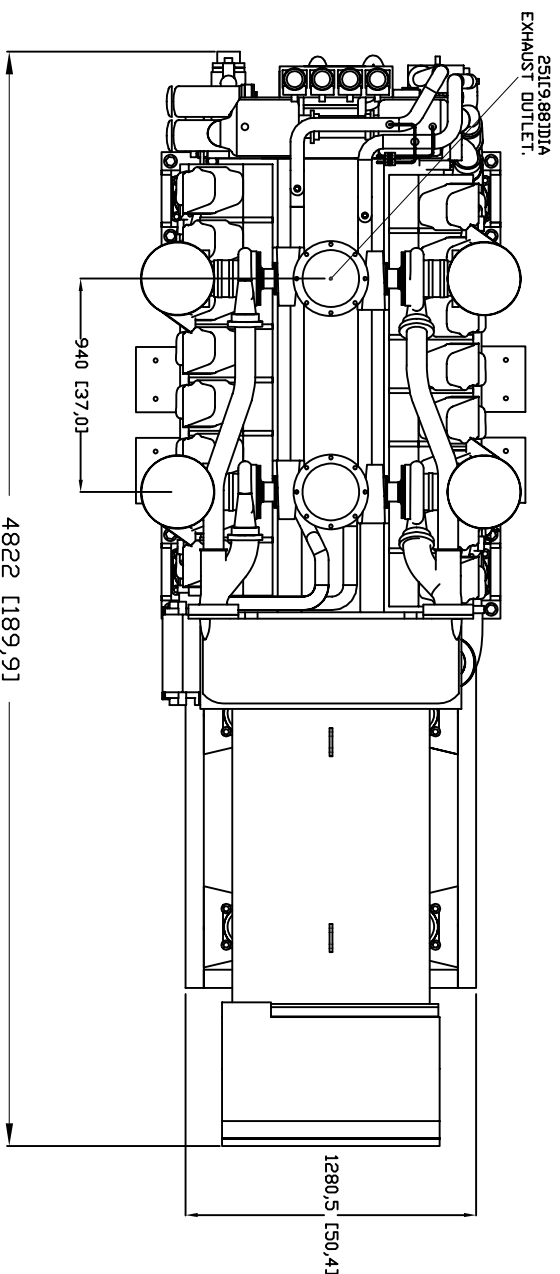
| MATERIAL | NA | PART NUMBER (kg) | NA | NA | FINISH | NA | NOT FINISH | UNIT |
|--|------------|-------------------------|--------|-------------------------|--------------------------|---------|------------|------|
| STANDARD TOLERANCES OF NOT SPECIFY OTHER | | | | | | | | |
| MANUFACTURING TOLERANCE | | MANUFACTURING TOLERANCE | | MANUFACTURING TOLERANCE | | ANGULAR | | |
| RANGE | TOLERANCES | DECIMAL | LINEAR | DIAMETER | No. DIM DIM | | | |
| 0 mm - 200 mm | ± 0.1 mm | 0 | ± 0.12 | ± 0.12 | 90° ± 1 | | | |
| 200 mm - 1200 mm | ± 0.2 mm | 0 | ± 0.15 | ± 0.15 | CODE CERTIFIED DIMENSION | | | |
| 1200 mm - 10000 mm | ± 0.3 mm | 3 | ± 0.20 | ± 0.20 | APPROVE WITH GAUGE | | | |
| | | FRACTION | | | | | | |
| | | REMARK | | | | | | |

THE INFORMATION CONTAINED IN THESE DOCUMENT IS PROPERTY EXCLUSIVE OF MAQUINARIA IGSA THEREFORE, THE TOTAL OR PARTIAL REPRODUCTION WITHOUT NOT CONSENT CANNOT WRITING BE USED BY MAQUINARIA IGSA S.A DE C.

MAQUINARIA IGSA S.A. DE C.V.
 C/AVDA. DE LOS RIOS 2000, COL. SAN JUAN DE LOS RIOS, CIUDAD DE GUAYMAS, SONORA, MEXICO. TEL: 52-54-662-2222
 REPRESENTACION EN MEXICO: TEL: 52-55-5728-2828 FAX: 52-55-5728-2828

GENERAL ADJUSTMENT GENSET 2000 KW WITH INTEGRATED TANK

SCALE: 1:100
 DATE: 02-05-07
 DRAWN: []
 CHECKED: []
 REVIEW: []
 APPROVED: []
 SHEET: 10 of 4



NOTE: DIMENSIONS IN [] ARE INCH

2000 KW
60HZ/40C COOLING
16V4000 SERIES DDC
TIER II

FD-61-01-02 REV.02

COPY CONTROLLED

COPY NOT CONTROLLED

OBSOLETE DATE

| | |
|--------------------|--------|
| APPLICATE STANDARD | REVIEW |
| NDRM | |

| DESCRIPTION | REVIEW | NUMBER OF CHANGE | DATE | REVIEW |
|-------------------|--------|------------------|------|--------|
| LIST OF REVISIONS | | | | |

| MATERIAL | PART NUMBER/WEIGHT (KG) | FINISH | NOT FINISH | UNIT |
|----------|-------------------------|--------|------------|------|
| NA | NA | NA | NA | NA |

| MANUFACTURING NOT TOLERANCE | TOLERANCES | MANUFACTURING TOLERANCE | DIAMETER | ANGULAR |
|-----------------------------|------------|-------------------------|----------|---------|
| RANGE | DECIMAL | LINEAR | | No. DIM |
| 0 mm - 200 mm | ± 0.1 mm | ± 0.12 | ± 0.02 | 90° ± |
| 200 mm - 1200 mm | ± 0.2 mm | ± 0.15 | ± 0.03 | DIM |
| 1200 mm - 10000 mm | ± 0.3 mm | ± 0.20 | ± 0.04 | |

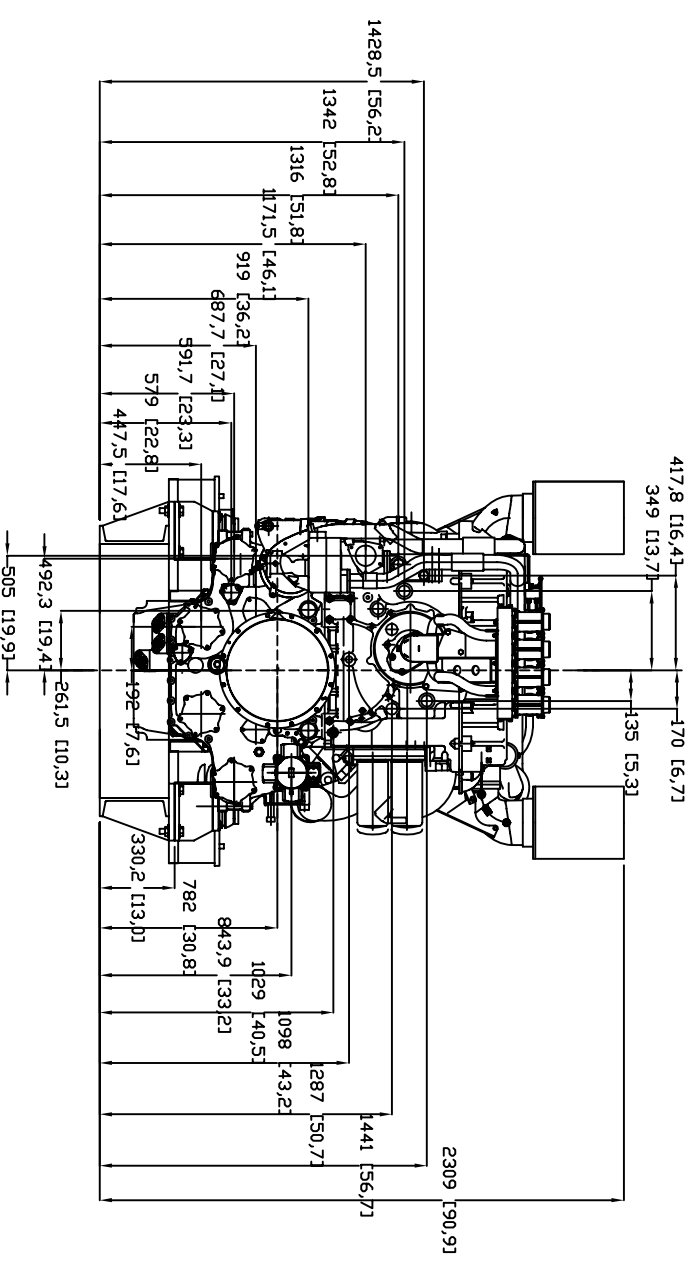
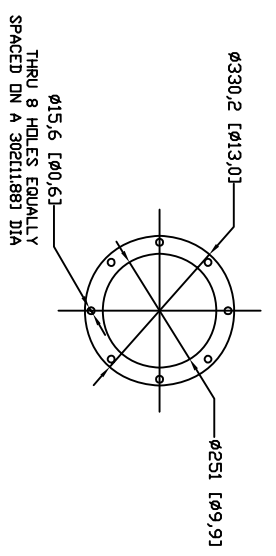
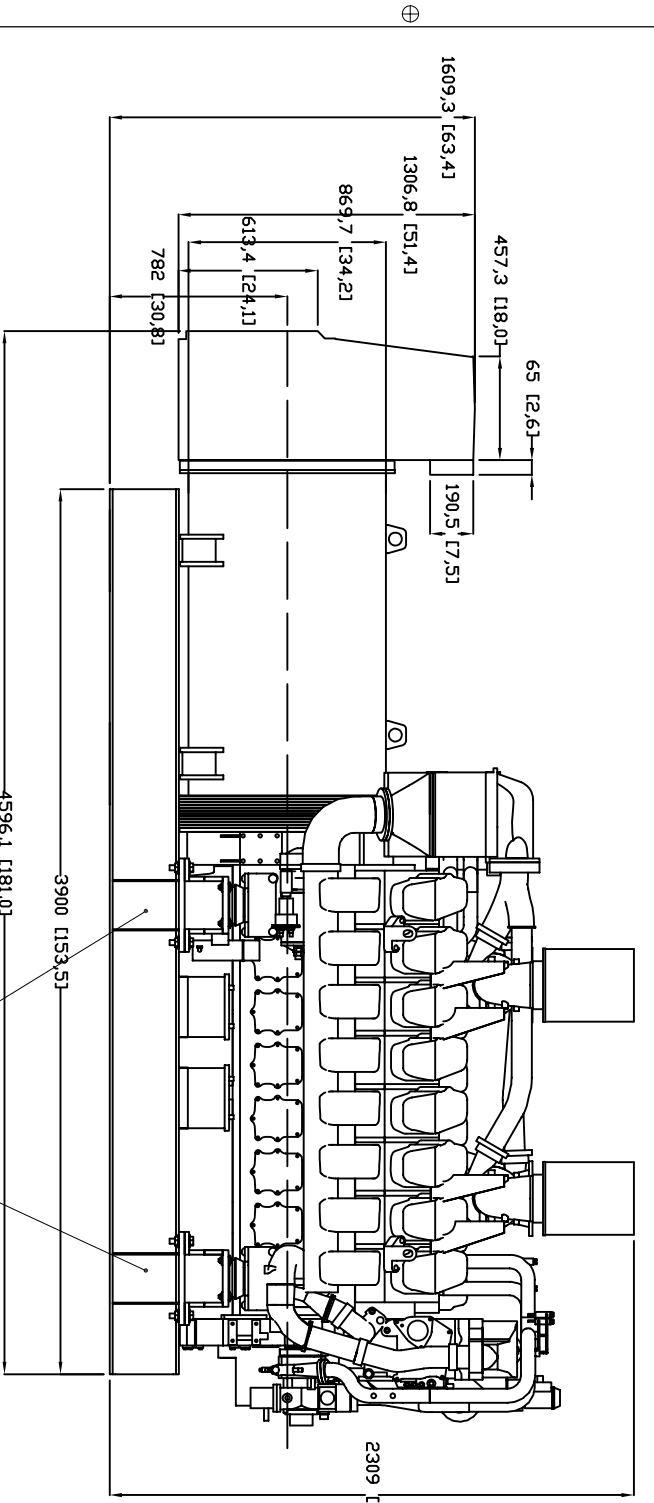
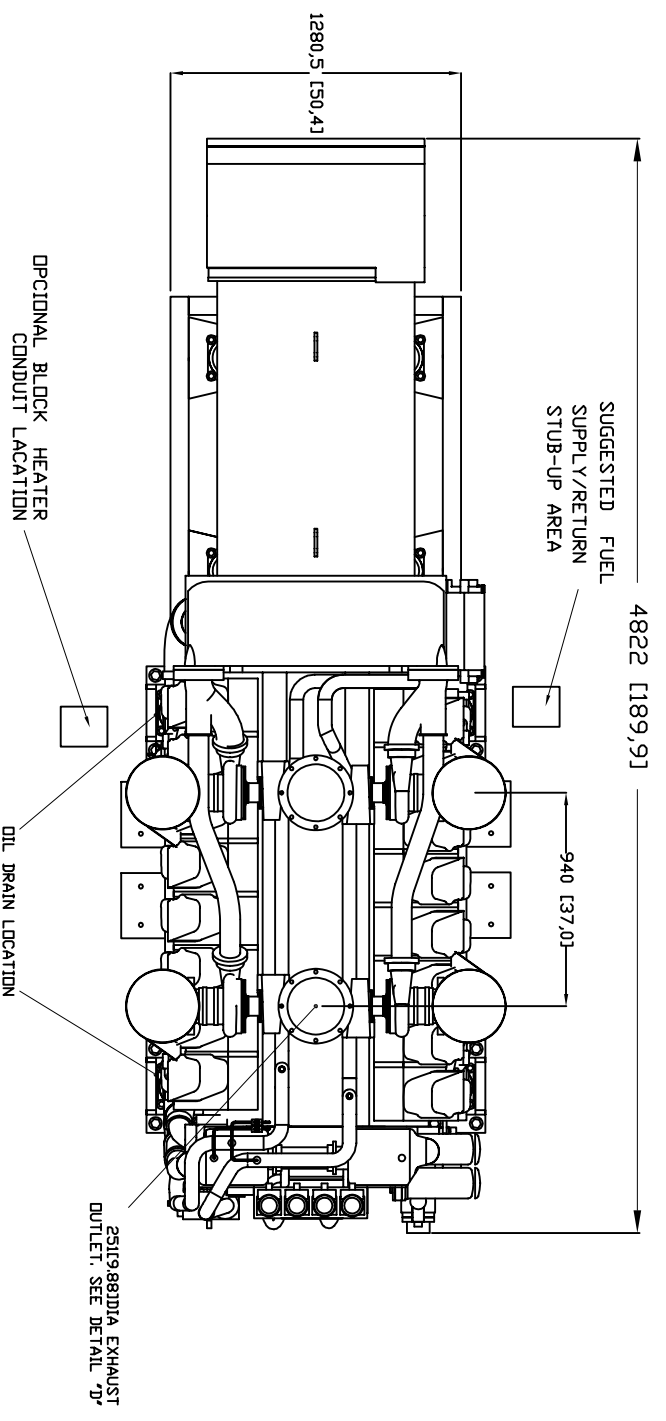
| FRACITION | APPROVE |
|------------|---------|
| WITH GAUGE | |

| DATE | DESIGNER | REVIEW | APPROVED |
|----------|----------|--------|----------|
| 02-05-07 | TEWAMANI | RIZ | HUB |

| SCALE | WITH DIMENSION | SHEET |
|-------|----------------|-------|
| 10:1 | | 20/4 |

MAQUINARIA ICSA S.A. DE C.V.
GENERAL ADJUSTMENT GEN SET 2000 KW
WITH INTEGRATED TANK

1 2 3 4 5 6 7 8 9 10 11 12



DIL DRAIN LOCATION (OPPOSITE SIDE)

| | |
|--------------------|--------|
| APPLICATE STANDARD | |
| NDRM | REVIEW |

NOTE: DIMENSIONS IN [] ARE INCH

2000 KW
60HZ/40C COOLING
16V/4000 SERIES DDC
TIER II

| DESCRIPTION | REVIEW | NUMBER OF CHANGE | DATE | REVIEW |
|-------------------|--------|------------------|------|--------|
| LIST OF REVISIONS | | | | |

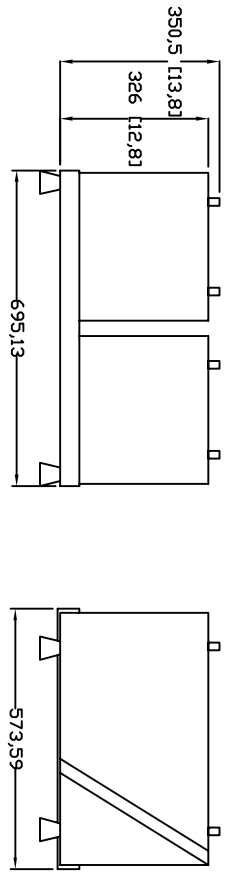
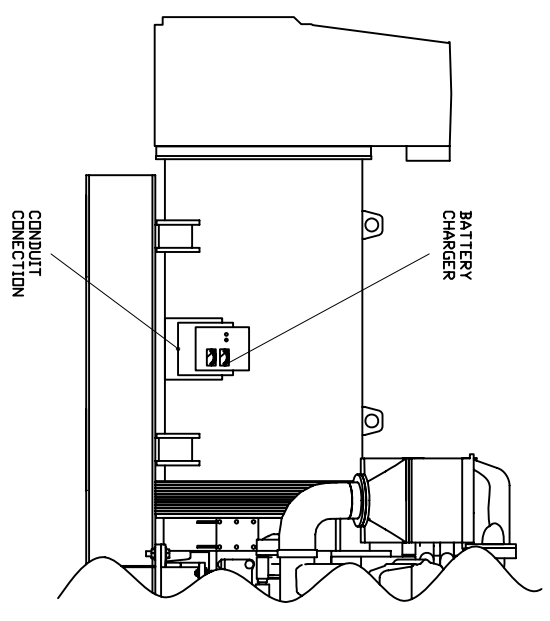
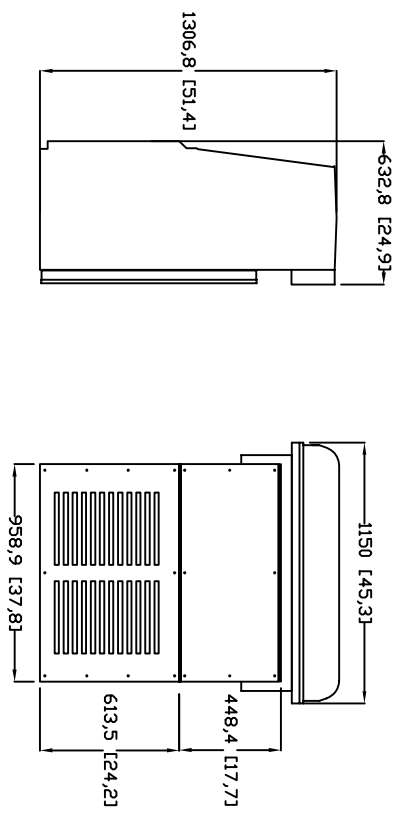
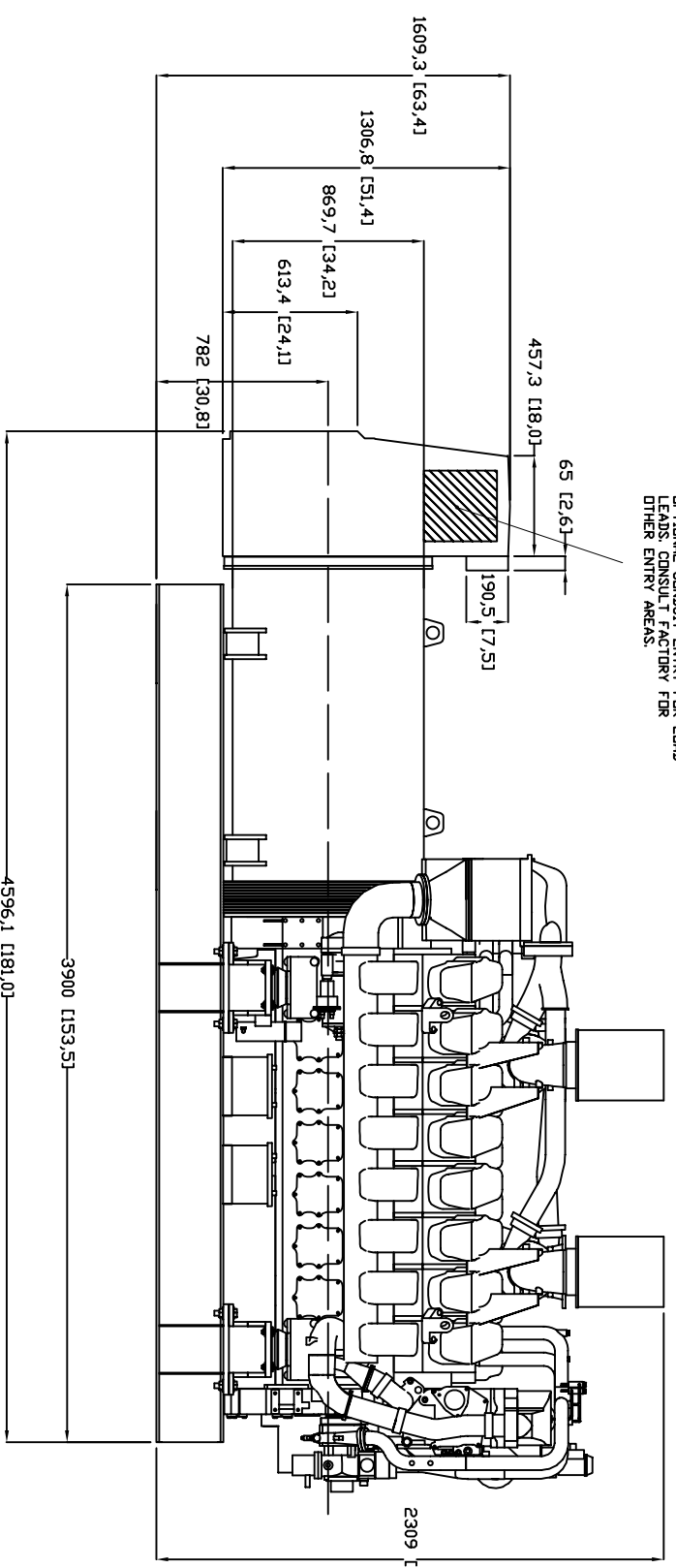
FD-G1-01-02 REV.02

COPY CONTROLLED

COPY NOT CONTROLLED

OBSOLETE DATE

| | | | | | | | | | |
|--|---------------------|-------------|--------------------|------------------|---------|--------|----|------------|----|
| MATERIAL | NA | PART NUMBER | NA | WEIGHT (KG) | NA | FINISH | NA | NOT FINISH | NA |
| STANDARD TOLERANCES OF NOT SPECIFY OTHER | | | | | | | | | |
| MANUFACTURING NOT TOLERANCES | TOLERANCES | DECIMAL | LINEAR | DIAMETER | ANGULAR | | | | |
| RANGE | | | | | | | | | |
| 0 mm - 200 mm | ± 0,1 mm | 0 | ± 0,12 | ± 0,08 | No. DIM | | | | |
| 200 mm - 1200 mm | ± 0,2 mm | 1 | ± 0,25 | ± 0,10 | DIM | | | | |
| 1200 mm - 10000 mm | ± 0,3 mm | 2 | ± 0,38 | ± 0,15 | | | | | |
| | ± 0,5 mm | 3 | ± 0,63 | ± 0,20 | | | | | |
| | ± 0,8 mm | 4 | ± 1,00 | ± 0,25 | | | | | |
| | ± 1,2 mm | 5 | ± 1,50 | ± 0,30 | | | | | |
| | ± 1,6 mm | 6 | ± 2,00 | ± 0,35 | | | | | |
| | ± 2,0 mm | 7 | ± 2,50 | ± 0,40 | | | | | |
| | ± 2,5 mm | 8 | ± 3,00 | ± 0,45 | | | | | |
| | ± 3,2 mm | 9 | ± 4,00 | ± 0,50 | | | | | |
| | ± 4,0 mm | 10 | ± 5,00 | ± 0,60 | | | | | |
| | ± 5,0 mm | 11 | ± 6,30 | ± 0,70 | | | | | |
| | ± 6,3 mm | 12 | ± 8,00 | ± 0,80 | | | | | |
| | ± 8,0 mm | 13 | ± 10,00 | ± 1,00 | | | | | |
| | ± 10,0 mm | 14 | ± 12,50 | ± 1,25 | | | | | |
| | ± 12,5 mm | 15 | ± 16,00 | ± 1,60 | | | | | |
| | ± 16,0 mm | 16 | ± 20,00 | ± 2,00 | | | | | |
| | ± 20,0 mm | 17 | ± 25,00 | ± 2,50 | | | | | |
| | ± 25,0 mm | 18 | ± 32,00 | ± 3,20 | | | | | |
| | ± 32,0 mm | 19 | ± 40,00 | ± 4,00 | | | | | |
| | ± 40,0 mm | 20 | ± 50,00 | ± 5,00 | | | | | |
| | ± 50,0 mm | 21 | ± 63,00 | ± 6,30 | | | | | |
| | ± 63,0 mm | 22 | ± 80,00 | ± 8,00 | | | | | |
| | ± 80,0 mm | 23 | ± 100,00 | ± 10,00 | | | | | |
| | ± 100,0 mm | 24 | ± 125,00 | ± 12,50 | | | | | |
| | ± 125,0 mm | 25 | ± 160,00 | ± 16,00 | | | | | |
| | ± 160,0 mm | 26 | ± 200,00 | ± 20,00 | | | | | |
| | ± 200,0 mm | 27 | ± 250,00 | ± 25,00 | | | | | |
| | ± 250,0 mm | 28 | ± 315,00 | ± 31,50 | | | | | |
| | ± 315,0 mm | 29 | ± 400,00 | ± 40,00 | | | | | |
| | ± 400,0 mm | 30 | ± 500,00 | ± 50,00 | | | | | |
| | ± 500,0 mm | 31 | ± 630,00 | ± 63,00 | | | | | |
| | ± 630,0 mm | 32 | ± 800,00 | ± 80,00 | | | | | |
| | ± 800,0 mm | 33 | ± 1000,00 | ± 100,00 | | | | | |
| | ± 1000,0 mm | 34 | ± 1250,00 | ± 125,00 | | | | | |
| | ± 1250,0 mm | 35 | ± 1600,00 | ± 160,00 | | | | | |
| | ± 1600,0 mm | 36 | ± 2000,00 | ± 200,00 | | | | | |
| | ± 2000,0 mm | 37 | ± 2500,00 | ± 250,00 | | | | | |
| | ± 2500,0 mm | 38 | ± 3150,00 | ± 315,00 | | | | | |
| | ± 3150,0 mm | 39 | ± 4000,00 | ± 400,00 | | | | | |
| | ± 4000,0 mm | 40 | ± 5000,00 | ± 500,00 | | | | | |
| | ± 5000,0 mm | 41 | ± 6300,00 | ± 630,00 | | | | | |
| | ± 6300,0 mm | 42 | ± 8000,00 | ± 800,00 | | | | | |
| | ± 8000,0 mm | 43 | ± 10000,00 | ± 1000,00 | | | | | |
| | ± 10000,0 mm | 44 | ± 12500,00 | ± 1250,00 | | | | | |
| | ± 12500,0 mm | 45 | ± 16000,00 | ± 1600,00 | | | | | |
| | ± 16000,0 mm | 46 | ± 20000,00 | ± 2000,00 | | | | | |
| | ± 20000,0 mm | 47 | ± 25000,00 | ± 2500,00 | | | | | |
| | ± 25000,0 mm | 48 | ± 31500,00 | ± 3150,00 | | | | | |
| | ± 31500,0 mm | 49 | ± 40000,00 | ± 4000,00 | | | | | |
| | ± 40000,0 mm | 50 | ± 50000,00 | ± 5000,00 | | | | | |
| | ± 50000,0 mm | 51 | ± 63000,00 | ± 6300,00 | | | | | |
| | ± 63000,0 mm | 52 | ± 80000,00 | ± 8000,00 | | | | | |
| | ± 80000,0 mm | 53 | ± 100000,00 | ± 10000,00 | | | | | |
| | ± 100000,0 mm | 54 | ± 125000,00 | ± 12500,00 | | | | | |
| | ± 125000,0 mm | 55 | ± 160000,00 | ± 16000,00 | | | | | |
| | ± 160000,0 mm | 56 | ± 200000,00 | ± 20000,00 | | | | | |
| | ± 200000,0 mm | 57 | ± 250000,00 | ± 25000,00 | | | | | |
| | ± 250000,0 mm | 58 | ± 315000,00 | ± 31500,00 | | | | | |
| | ± 315000,0 mm | 59 | ± 400000,00 | ± 40000,00 | | | | | |
| | ± 400000,0 mm | 60 | ± 500000,00 | ± 50000,00 | | | | | |
| | ± 500000,0 mm | 61 | ± 630000,00 | ± 63000,00 | | | | | |
| | ± 630000,0 mm | 62 | ± 800000,00 | ± 80000,00 | | | | | |
| | ± 800000,0 mm | 63 | ± 1000000,00 | ± 100000,00 | | | | | |
| | ± 1000000,0 mm | 64 | ± 1250000,00 | ± 125000,00 | | | | | |
| | ± 1250000,0 mm | 65 | ± 1600000,00 | ± 160000,00 | | | | | |
| | ± 1600000,0 mm | 66 | ± 2000000,00 | ± 200000,00 | | | | | |
| | ± 2000000,0 mm | 67 | ± 2500000,00 | ± 250000,00 | | | | | |
| | ± 2500000,0 mm | 68 | ± 3150000,00 | ± 315000,00 | | | | | |
| | ± 3150000,0 mm | 69 | ± 4000000,00 | ± 400000,00 | | | | | |
| | ± 4000000,0 mm | 70 | ± 5000000,00 | ± 500000,00 | | | | | |
| | ± 5000000,0 mm | 71 | ± 6300000,00 | ± 630000,00 | | | | | |
| | ± 6300000,0 mm | 72 | ± 8000000,00 | ± 800000,00 | | | | | |
| | ± 8000000,0 mm | 73 | ± 10000000,00 | ± 1000000,00 | | | | | |
| | ± 10000000,0 mm | 74 | ± 12500000,00 | ± 1250000,00 | | | | | |
| | ± 12500000,0 mm | 75 | ± 16000000,00 | ± 1600000,00 | | | | | |
| | ± 16000000,0 mm | 76 | ± 20000000,00 | ± 2000000,00 | | | | | |
| | ± 20000000,0 mm | 77 | ± 25000000,00 | ± 2500000,00 | | | | | |
| | ± 25000000,0 mm | 78 | ± 31500000,00 | ± 3150000,00 | | | | | |
| | ± 31500000,0 mm | 79 | ± 40000000,00 | ± 4000000,00 | | | | | |
| | ± 40000000,0 mm | 80 | ± 50000000,00 | ± 5000000,00 | | | | | |
| | ± 50000000,0 mm | 81 | ± 63000000,00 | ± 6300000,00 | | | | | |
| | ± 63000000,0 mm | 82 | ± 80000000,00 | ± 8000000,00 | | | | | |
| | ± 80000000,0 mm | 83 | ± 100000000,00 | ± 10000000,00 | | | | | |
| | ± 100000000,0 mm | 84 | ± 125000000,00 | ± 12500000,00 | | | | | |
| | ± 125000000,0 mm | 85 | ± 160000000,00 | ± 16000000,00 | | | | | |
| | ± 160000000,0 mm | 86 | ± 200000000,00 | ± 20000000,00 | | | | | |
| | ± 200000000,0 mm | 87 | ± 250000000,00 | ± 25000000,00 | | | | | |
| | ± 250000000,0 mm | 88 | ± 315000000,00 | ± 31500000,00 | | | | | |
| | ± 315000000,0 mm | 89 | ± 400000000,00 | ± 40000000,00 | | | | | |
| | ± 400000000,0 mm | 90 | ± 500000000,00 | ± 50000000,00 | | | | | |
| | ± 500000000,0 mm | 91 | ± 630000000,00 | ± 63000000,00 | | | | | |
| | ± 630000000,0 mm | 92 | ± 800000000,00 | ± 80000000,00 | | | | | |
| | ± 800000000,0 mm | 93 | ± 1000000000,00 | ± 100000000,00 | | | | | |
| | ± 1000000000,0 mm | 94 | ± 1250000000,00 | ± 125000000,00 | | | | | |
| | ± 1250000000,0 mm | 95 | ± 1600000000,00 | ± 160000000,00 | | | | | |
| | ± 1600000000,0 mm | 96 | ± 2000000000,00 | ± 200000000,00 | | | | | |
| | ± 2000000000,0 mm | 97 | ± 2500000000,00 | ± 250000000,00 | | | | | |
| | ± 2500000000,0 mm | 98 | ± 3150000000,00 | ± 315000000,00 | | | | | |
| | ± 3150000000,0 mm | 99 | ± 4000000000,00 | ± 400000000,00 | | | | | |
| | ± 4000000000,0 mm | 100 | ± 5000000000,00 | ± 500000000,00 | | | | | |
| | ± 5000000000,0 mm | 101 | ± 6300000000,00 | ± 630000000,00 | | | | | |
| | ± 6300000000,0 mm | 102 | ± 8000000000,00 | ± 800000000,00 | | | | | |
| | ± 8000000000,0 mm | 103 | ± 10000000000,00 | ± 1000000000,00 | | | | | |
| | ± 10000000000,0 mm | 104 | ± 12500000000,00 | ± 1250000000,00 | | | | | |
| | ± 12500000000,0 mm | 105 | ± 16000000000,00 | ± 1600000000,00 | | | | | |
| | ± 16000000000,0 mm | 106 | ± 20000000000,00 | ± 2000000000,00 | | | | | |
| | ± 20000000000,0 mm | 107 | ± 25000000000,00 | ± 2500000000,00 | | | | | |
| | ± 25000000000,0 mm | 108 | ± 31500000000,00 | ± 3150000000,00 | | | | | |
| | ± 31500000000,0 mm | 109 | ± 40000000000,00 | ± 4000000000,00 | | | | | |
| | ± 40000000000,0 mm | 110 | ± 50000000000,00 | ± 5000000000,00 | | | | | |
| | ± 50000000000,0 mm | 111 | ± 63000000000,00 | ± 6300000000,00 | | | | | |
| | ± 63000000000,0 mm | 112 | ± 80000000000,00 | ± 8000000000,00 | | | | | |
| | ± 80000000000,0 mm | 113 | ± 100000000000,00 | ± 10000000000,00 | | | | | |
| | ± 100000000000,0 mm | 114 | ± 125000000000,00 | ± 12500000000,00 | | | | | |
| | ± 125000000000,0 mm | 115 | ± 160000000000,00 | ± 16000000000,00 | | | | | |
| | ± 160000000000,0 mm | 116 | ± 200000000000,00 | ± 20000000000,00 | | | | | |
| | ± 200000000000,0 mm | 117 | ± 250000000000,00 | ± 25000000000,00 | | | | | |
| | ± 250000000000,0 mm | 118 | ± 315000000000,00 | ± 31500000000,00 | | | | | |
| | ± 315000000000,0 mm | 119 | ± 400000000000,00 | ± 40000000000,00 | | | | | |
| | ± 400000000000,0 mm | 120 | ± 500000000000,00 | ± 50000000000,00 | | | | | |
| | ± 500000000000,0 mm | 121 | ± 630000000000,00 | ± 63000000000,00 | | | | | |
| | ± 630000000000,0 mm | 122 | ± 800000000000,00 | ± 80000000000,00 | | | | | |
| | ± 800000000000,0 mm | 123 | ± 1000000000000,00 | ± 1000 | | | | | |



BATTERY CHARGER

| | |
|--------------------|--------|
| APPLIcate STANDARD | REVIEW |
| NDRM | |

NOTE: DIMENSIONS IN [] ARE INCH

2000 kW
60HZ/40C COOLING
16V/4000 SERIES DDC
TIER II

| DESCRIPTION | REVIEW | NUMBER OF CHANGE | DATE | REVIEW |
|-------------------|--------|------------------|------|--------|
| LIST OF REVISIONS | | | | |

FD-GI-01-02 REV.02

COPY CONTROLLED

COPY NOT CONTROLLED

OBSOLETE DATE

| | | | | | | | | | |
|--|------------|-------------------------|----------|-------------|----------------|--------|----|------------|----|
| MATERIAL | NA | PART NUMBER | NA | WEIGHT (KG) | NA | FINISH | NA | NOT FINISH | NA |
| STANDARD TOLERANCES OF NOT SPECIFY OTHER | | | | | | | | | |
| MANUFACTURING NOT TOLERANCE | DECIMAL | MANUFACTURING TOLERANCE | | | | | | | |
| RANGE | TOLERANCES | LINEAR | DIAMETER | ANGULAR | HOLE DIMENSION | | | | |
| 0 mm - 200 mm | ± 0,1 mm | ± 0,15 | ± 0,15 | 90° ± | ± 0,1 | | | | |
| 200 mm - 1200 mm | ± 0,2 mm | ± 0,2 | ± 0,2 | ± 0,2 | ± 0,2 | | | | |
| 1200 mm - 10000 mm | ± 0,3 mm | ± 0,3 | ± 0,3 | ± 0,3 | ± 0,3 | | | | |
| | ± 0,5 mm | ± 0,5 | ± 0,5 | ± 0,5 | ± 0,5 | | | | |
| | ± 1,0 mm | ± 1,0 | ± 1,0 | ± 1,0 | ± 1,0 | | | | |
| | ± 1,5 mm | ± 1,5 | ± 1,5 | ± 1,5 | ± 1,5 | | | | |
| | ± 2,0 mm | ± 2,0 | ± 2,0 | ± 2,0 | ± 2,0 | | | | |
| | ± 3,0 mm | ± 3,0 | ± 3,0 | ± 3,0 | ± 3,0 | | | | |
| | ± 4,0 mm | ± 4,0 | ± 4,0 | ± 4,0 | ± 4,0 | | | | |
| | ± 5,0 mm | ± 5,0 | ± 5,0 | ± 5,0 | ± 5,0 | | | | |
| | ± 6,0 mm | ± 6,0 | ± 6,0 | ± 6,0 | ± 6,0 | | | | |
| | ± 7,0 mm | ± 7,0 | ± 7,0 | ± 7,0 | ± 7,0 | | | | |
| | ± 8,0 mm | ± 8,0 | ± 8,0 | ± 8,0 | ± 8,0 | | | | |
| | ± 9,0 mm | ± 9,0 | ± 9,0 | ± 9,0 | ± 9,0 | | | | |
| | ± 10 mm | ± 10 | ± 10 | ± 10 | ± 10 | | | | |
| | ± 12 mm | ± 12 | ± 12 | ± 12 | ± 12 | | | | |
| | ± 15 mm | ± 15 | ± 15 | ± 15 | ± 15 | | | | |
| | ± 20 mm | ± 20 | ± 20 | ± 20 | ± 20 | | | | |
| | ± 25 mm | ± 25 | ± 25 | ± 25 | ± 25 | | | | |
| | ± 30 mm | ± 30 | ± 30 | ± 30 | ± 30 | | | | |
| | ± 40 mm | ± 40 | ± 40 | ± 40 | ± 40 | | | | |
| | ± 50 mm | ± 50 | ± 50 | ± 50 | ± 50 | | | | |
| | ± 60 mm | ± 60 | ± 60 | ± 60 | ± 60 | | | | |
| | ± 70 mm | ± 70 | ± 70 | ± 70 | ± 70 | | | | |
| | ± 80 mm | ± 80 | ± 80 | ± 80 | ± 80 | | | | |
| | ± 90 mm | ± 90 | ± 90 | ± 90 | ± 90 | | | | |
| | ± 100 mm | ± 100 | ± 100 | ± 100 | ± 100 | | | | |
| | ± 120 mm | ± 120 | ± 120 | ± 120 | ± 120 | | | | |
| | ± 150 mm | ± 150 | ± 150 | ± 150 | ± 150 | | | | |
| | ± 200 mm | ± 200 | ± 200 | ± 200 | ± 200 | | | | |
| | ± 250 mm | ± 250 | ± 250 | ± 250 | ± 250 | | | | |
| | ± 300 mm | ± 300 | ± 300 | ± 300 | ± 300 | | | | |
| | ± 400 mm | ± 400 | ± 400 | ± 400 | ± 400 | | | | |
| | ± 500 mm | ± 500 | ± 500 | ± 500 | ± 500 | | | | |
| | ± 600 mm | ± 600 | ± 600 | ± 600 | ± 600 | | | | |
| | ± 700 mm | ± 700 | ± 700 | ± 700 | ± 700 | | | | |
| | ± 800 mm | ± 800 | ± 800 | ± 800 | ± 800 | | | | |
| | ± 900 mm | ± 900 | ± 900 | ± 900 | ± 900 | | | | |
| | ± 1000 mm | ± 1000 | ± 1000 | ± 1000 | ± 1000 | | | | |
| | ± 1200 mm | ± 1200 | ± 1200 | ± 1200 | ± 1200 | | | | |
| | ± 1500 mm | ± 1500 | ± 1500 | ± 1500 | ± 1500 | | | | |
| | ± 2000 mm | ± 2000 | ± 2000 | ± 2000 | ± 2000 | | | | |
| | ± 2500 mm | ± 2500 | ± 2500 | ± 2500 | ± 2500 | | | | |
| | ± 3000 mm | ± 3000 | ± 3000 | ± 3000 | ± 3000 | | | | |
| | ± 4000 mm | ± 4000 | ± 4000 | ± 4000 | ± 4000 | | | | |
| | ± 5000 mm | ± 5000 | ± 5000 | ± 5000 | ± 5000 | | | | |
| | ± 6000 mm | ± 6000 | ± 6000 | ± 6000 | ± 6000 | | | | |
| | ± 7000 mm | ± 7000 | ± 7000 | ± 7000 | ± 7000 | | | | |
| | ± 8000 mm | ± 8000 | ± 8000 | ± 8000 | ± 8000 | | | | |
| | ± 9000 mm | ± 9000 | ± 9000 | ± 9000 | ± 9000 | | | | |
| | ± 10000 mm | ± 10000 | ± 10000 | ± 10000 | ± 10000 | | | | |

THE INFORMATION CONTAINED IN THESE DOCUMENT IS PROPERTY EXCLUSIVE OF MAQUINARIA IGSA
THEREFORE, THE TOTAL OR PARTIAL REPRODUCTION WITHOUT NOT CONSENT CANNOT
WRITING BE USED BY MAQUINARIA IGSA S.A DE C.

MAQUINARIA IGSA S.A. DE C.V.
CALLE DE LA INDUSTRIA, 1000, COL. INDUSTRIAL, CIUDAD DE GUAYMAS, SONORA, MEXICO
TEL: 52-54-662-252525 FAX: 52-54-662-252525
CALLE DE LA INDUSTRIA, 1000, COL. INDUSTRIAL, CIUDAD DE GUAYMAS, SONORA, MEXICO
TEL: 52-54-662-252525 FAX: 52-54-662-252525

GENERAL ADJUSTMENT GEN SET 2000 KW
WITH INTEGRATED TANK

DATE: 02-05-07
DRAWN: []
CHECKED: []
REVIEW: []
APPROVED: []
TITLE: GSD012000M

SCALE: 1:1
DIMENSION: mm

SHEET 01 OF 4