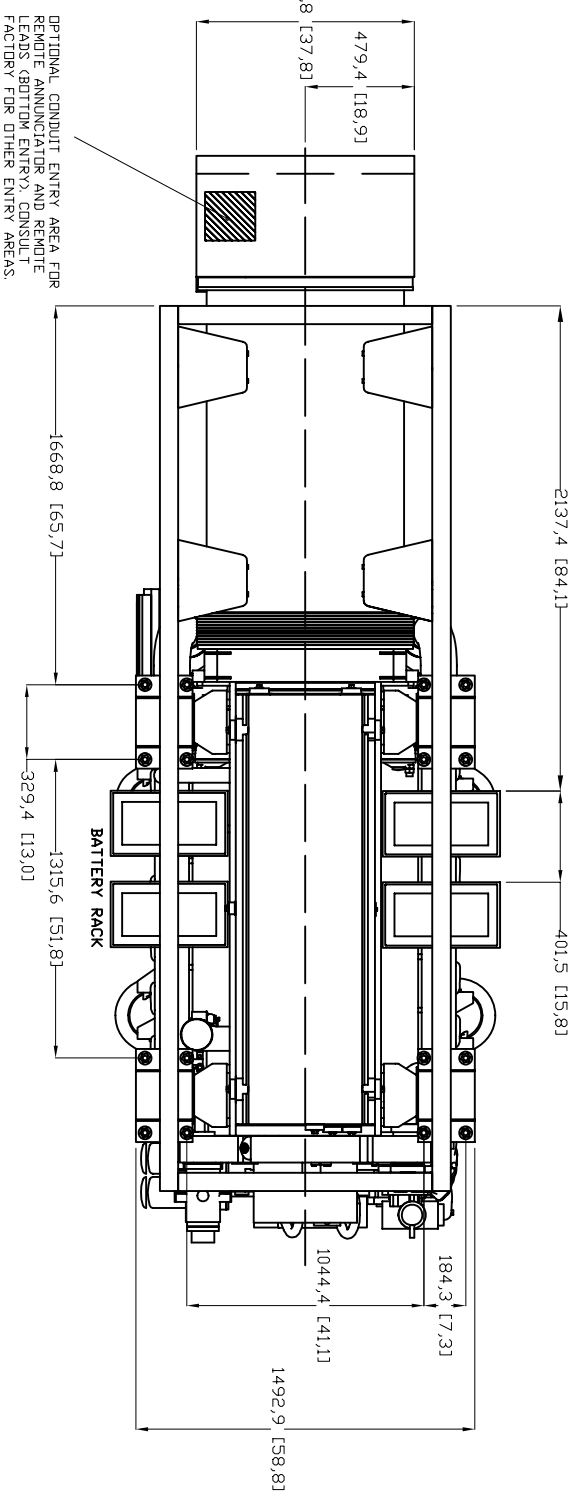
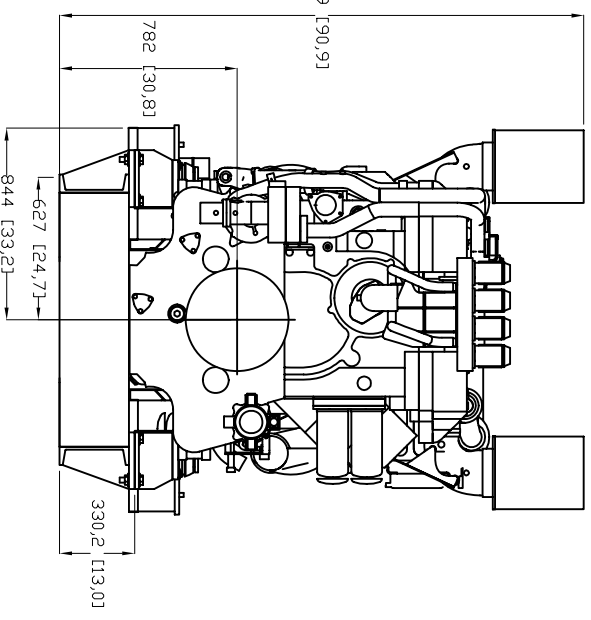
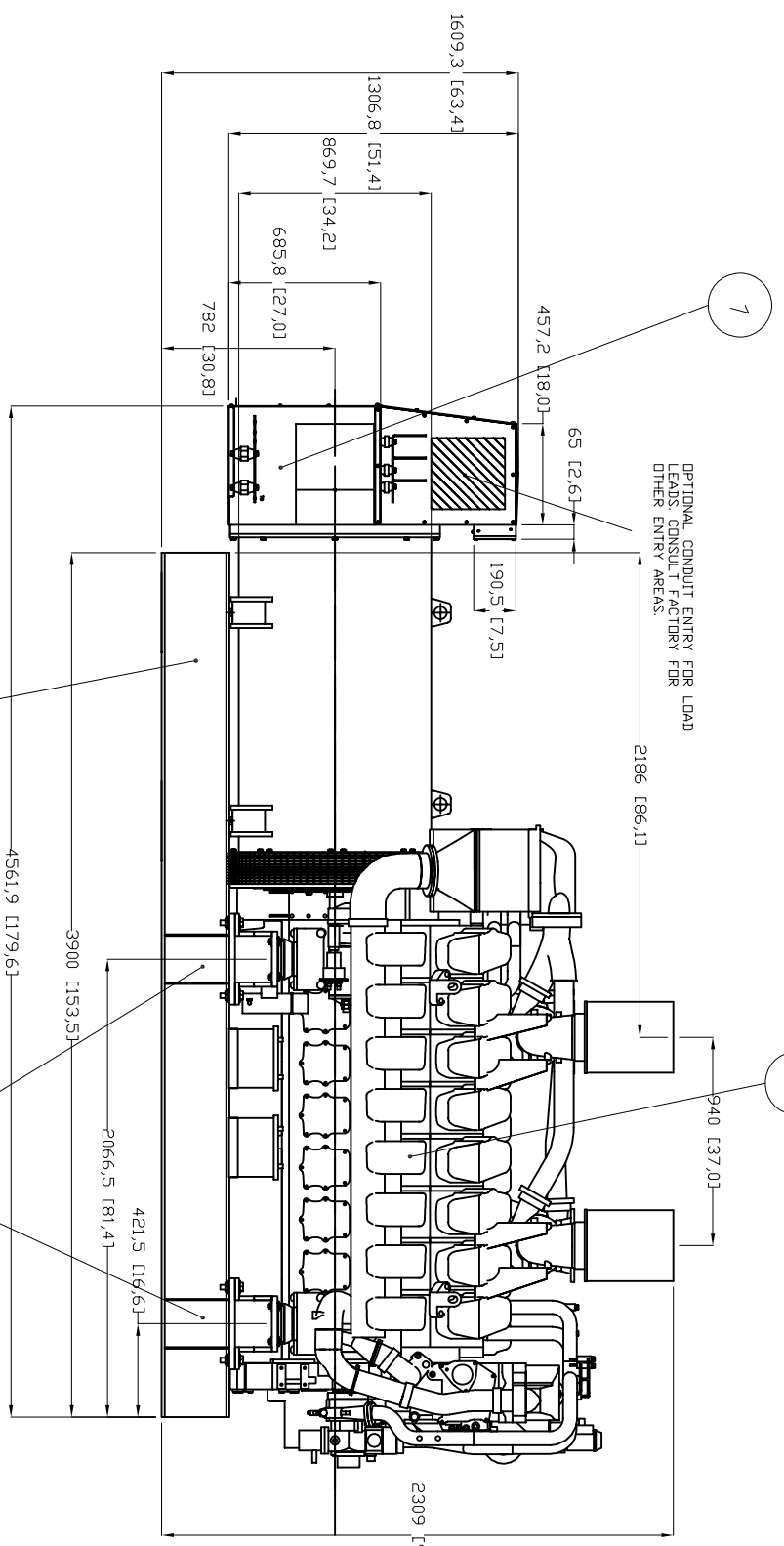


No	DESCRIPTION	QUANTITY
1	ALTERNATOR MARATHON 744RS14054 1750KW	1
2	ENGINE ATUDETROIT DIESEL 16V4000	1
3	ESTRUCTURA BASE GENSET	1

**INSTALLATION NOTE:**  
USE THE ANCHOR HOLES TO HOLD THE ELECTRIC PLANT



NOTE:  
MAXIMUM WEIGHT OF GENSET  
LESS ACCESSORIES:  
12.771 KG (28.155 LB)



APPLICATE STANDARD	REVIEW
NDRM	

NOTE: DIMENSIONS IN [ ] ARE INCH EQUIVALENTS

1750 KW  
60HZ/40C COOLING  
16V4000 SERIES DDC  
TIER 1

OIL DRAIN LOCATION  
(OPPOSITE SIDE)

FD-G1-01-02 REV.02

COPY CONTROLLED

COPY NOT CONTROLLED

OBSOLETE DATE

DESCRIPTION	REVIEW	NUMBER OF CHANGE	DATE	REVIEW
LIST OF REVISIONS				

THE INFORMATION CONTAINED IN THESE DOCUMENT IS PROPERTY EXCLUSIVE OF MAQUINARIA IGSA THEREFORE, THE TOTAL OR PARTIAL REPRODUCTION WITHOUT NOT CONSENT CANNOT WRITING BE USED BY MAQUINARIA IGSA S.A DE C.
---

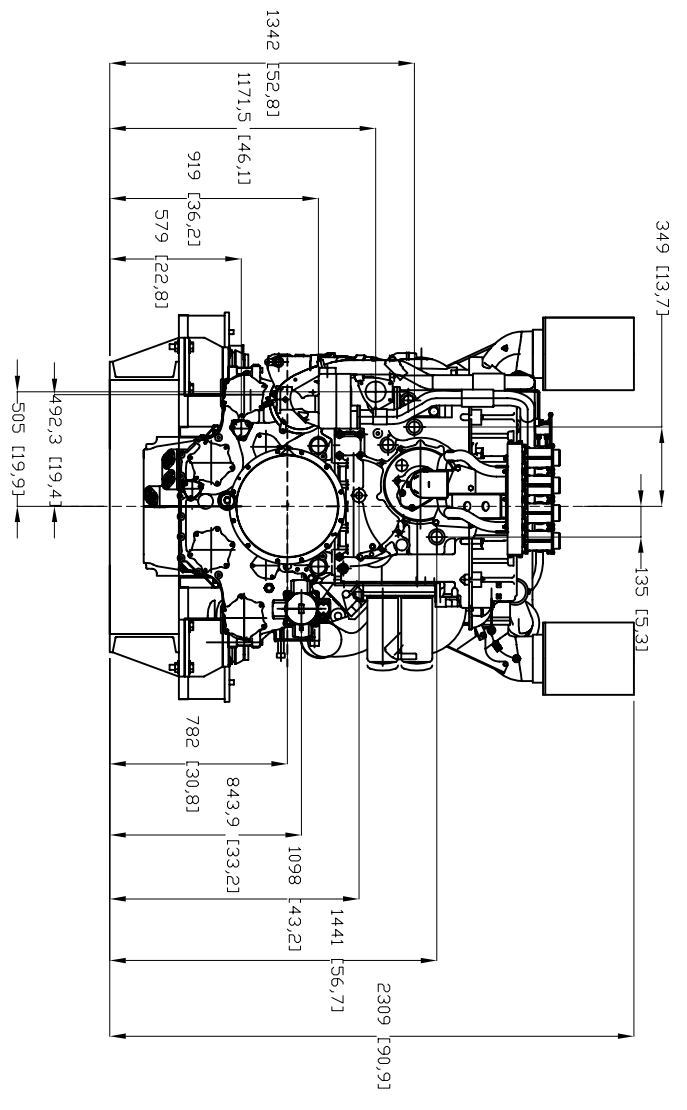
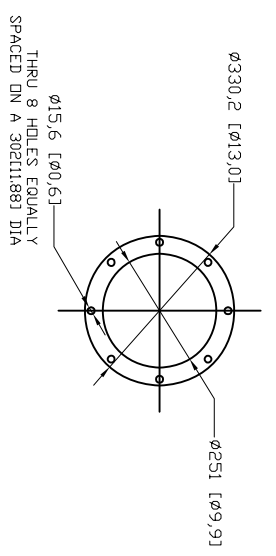
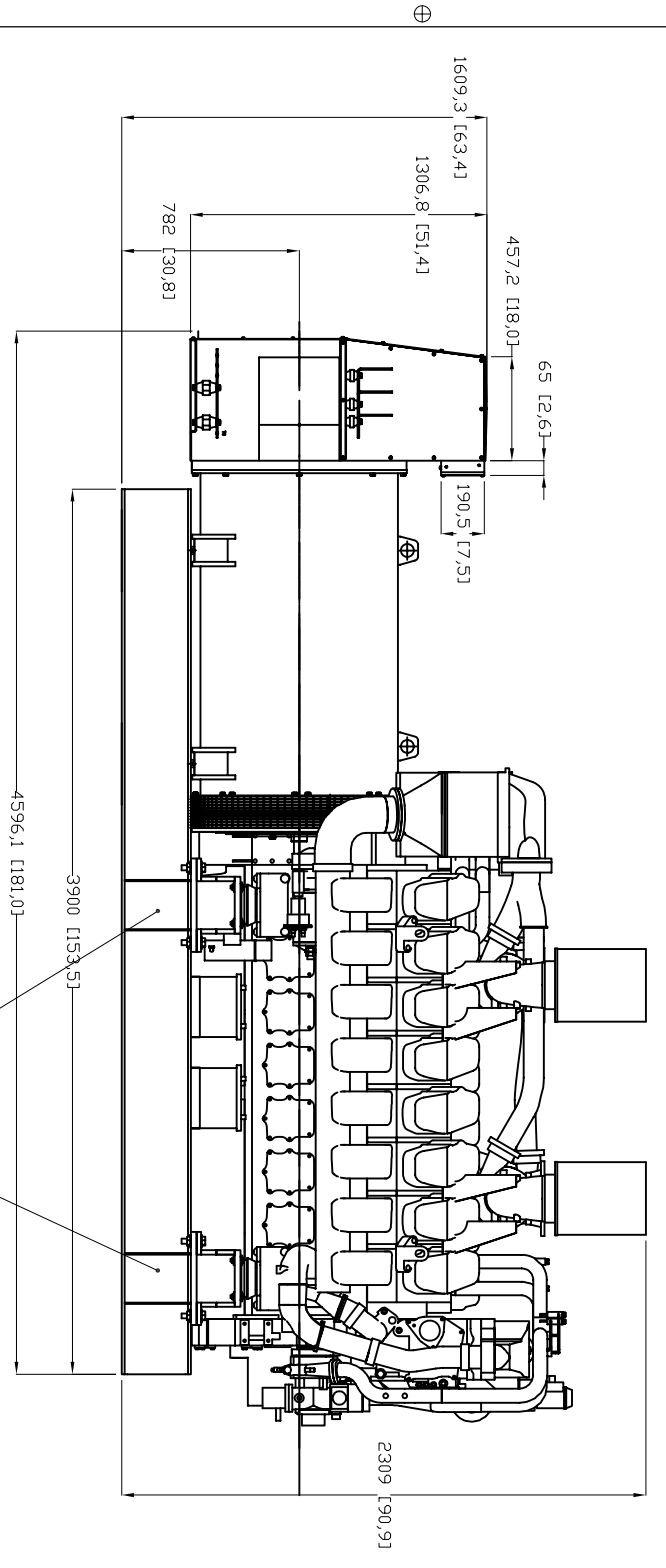
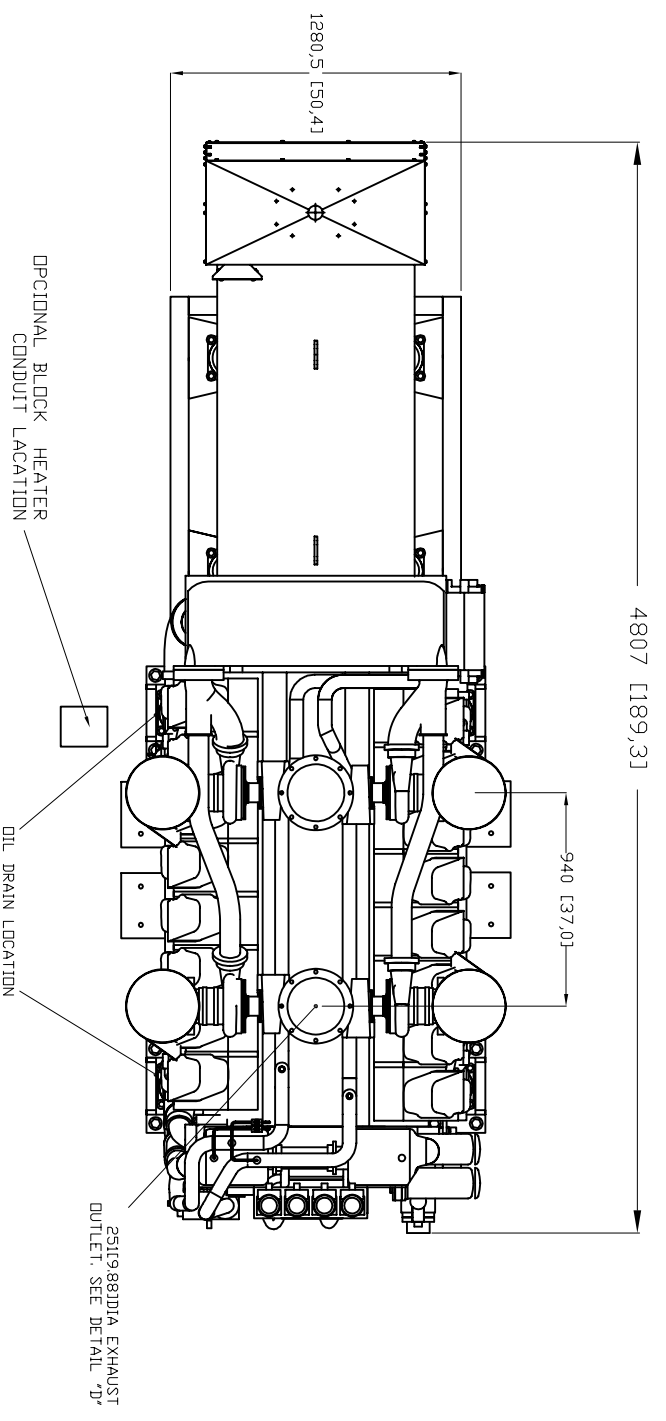
  

MAQUINARIA IGSA S.A. DE C.V. CALLE DE LOS RIOS 1750 KW IN BARRIERTO, 3448, 48829 CO. QROO, MEXICO TEL: 01 (985) 521 1111 FAX: 01 (985) 521 1112 SERVICIOS DE MANTENIMIENTO Y REPARACIONES EN TODAS LAS ZONAS DE MANTENIMIENTO DE ALTERNADORES	GENERAL ADJUSTMENT GENSET 1750 KW
--	-----------------------------------

DATE: 24-05-07	DESIGNED BY: GOMEZ	REVIEWED BY: ING. RTR	APPROVED BY: ING. MDR
SCALE: 1:1	DRAWING NUMBER: GSD011750M		





DIL DRAIN LOCATION (OPPOSITE SIDE)

OPTIONAL BLOCK HEATER CONDUIT LOCATION

2511988D1A EXHAUST OUTLET. SEE DETAIL 'D'

DETAIL "D"

NOTE: DIMENSIONS IN [ ] ARE INCH

17500 kW  
60HZ/40C COOLING  
16V4000 SERIES DDC  
TIER 1

APPLICATE STANDARD	REVIEW
NORM	

DESCRIPTION	REVIEW	NUMBER OF CHANGE	DATE	REVIEW
LIST OF REVISIONS				

MATERIAL	NA	PART NUMBER	NA	WEIGHT (kg)	NA	FINISH	NA	NOT FINISH	NA
STANDARD TOLERANCES OF NOT SPECIFY OTHER									
MANUFACTURING NOT TOLERANCES	TOLERANCES	DECIMAL	LINEAR	DIAMETER	ANGULAR				
RANGE	± 0,1 mm	0	± 0,02	± 0,02	No. DIM				
0 mm - 200 mm	± 0,1 mm	0	± 0,02	± 0,02	90° ±				
200 mm - 1200 mm	± 0,15 mm	0	± 0,02	± 0,02	± 1				
1200 mm - 10000 mm	± 0,2 mm	0	± 0,02	± 0,02	± 1				
FRACTION	± 0,1 mm	0	± 0,02	± 0,02	± 1				
REMARKS									
THE INFORMATION CONTAINED IN THESE DOCUMENT IS PROPERTY EXCLUSIVE OF MAQUINARIA ISGA									
THEREFORE, THE TOTAL OR PARTIAL REPRODUCTION WITHOUT NOT CONSENT CANNOT									
WRITING BE USED BY MAQUINARIA ISGA S.A DE C.									

DATE	24-05-07	DESIGNED	ING. RTR	APPROVED	ING. HDB
SCALE	1:1	DRAWN	ING. RTR	REV.	01
TITLE	GENERAL ADJUSTMENT GENSET 1750 kW WITH INTEGRATED TANK				
PROJECT NUMBER	GSD011750M				
SHEET	30/4				

