

GENSET 1500KW GENERAL FEATURES WITH CHASSIS			
ASSEMBLY NUMBER	CAPACITY KW	ENGINE DIESEL MODEL	ALTERNATOR MARATHON MODEL
GSD011500M	1500	12V4000D581	74ZRSU4050
WEIGHT		FUEL CONSUMPTION WITH LOAD	
kg		IN L/HR AND ENGINE POWER	
283.5		at 75%	
381.8		at 100%	

NOTE: DIMENSIONS IN [] ARE INCH

1500 K.W
60HZ/40C COOLING
12V4000 SERIES DDC
TIER 1

APPLICATE STANDARD	
REVIEW	
NDRM	

DESCRIPTION	REVIEW	NUMBER OF CHANGE	DATE	REVIEW
LIST OF REVISIONS				

MATERIAL	PART NUMBER	WEIGHT (KG)	FINISH	NOT FINISH	OTHER
NA	NA	NA	NA	NA	
STANDARD TOLERANCES OF NOT SPECIFY OTHER					
MANUFACTURING NOT TOLERANCE		MANUFACTURING TOLERANCE		ANGULAR	
RANGE	TOLERANCES	DECIMAL	LINEAR	DIAMETER	No. DIM DIM
0 mm - 200 mm	± 0.1 mm	0	± 0.02	± 0.02	90° ± ± 1
200 mm - 1200 mm	± 0.15 mm	1	± 0.03	± 0.03	90° ± ± 1
1200 mm - 10000 mm	± 0.2 mm	2	± 0.07	± 0.07	90° ± ± 1
		3			90° ± ± 1
		FRACTION			APPROVE WITH GAUGE
		REMARK			

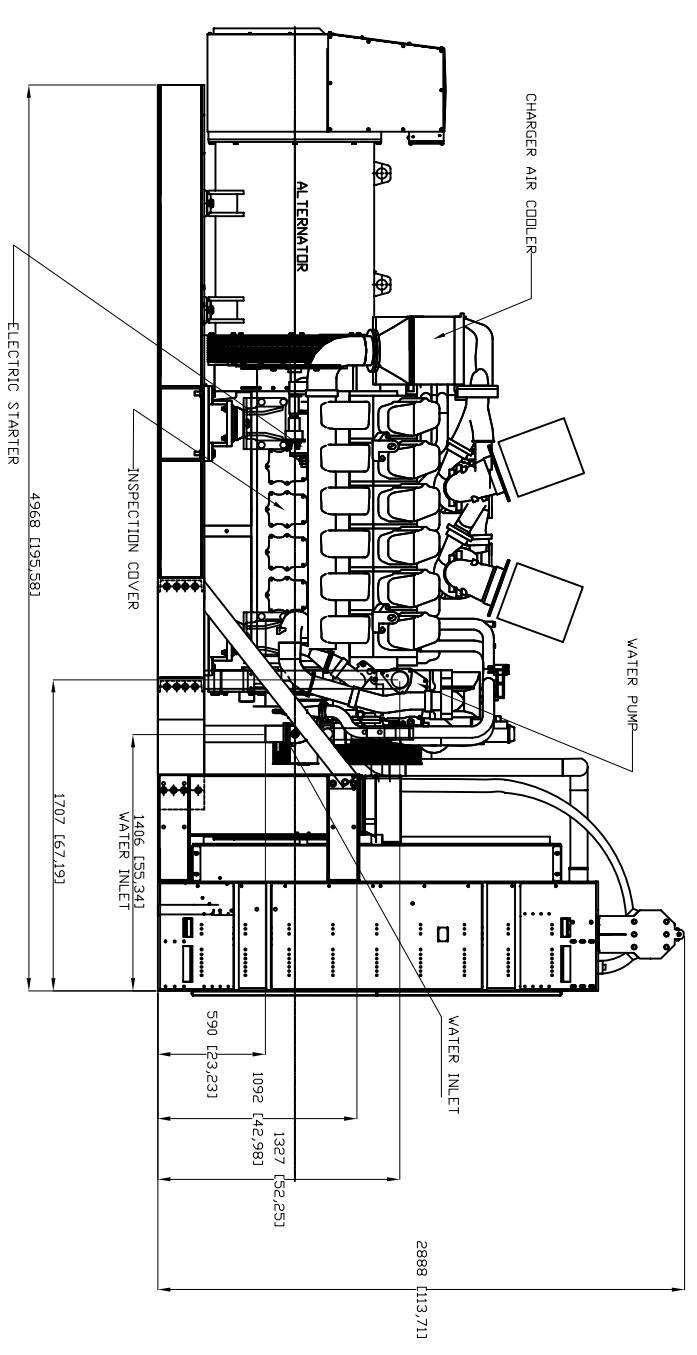
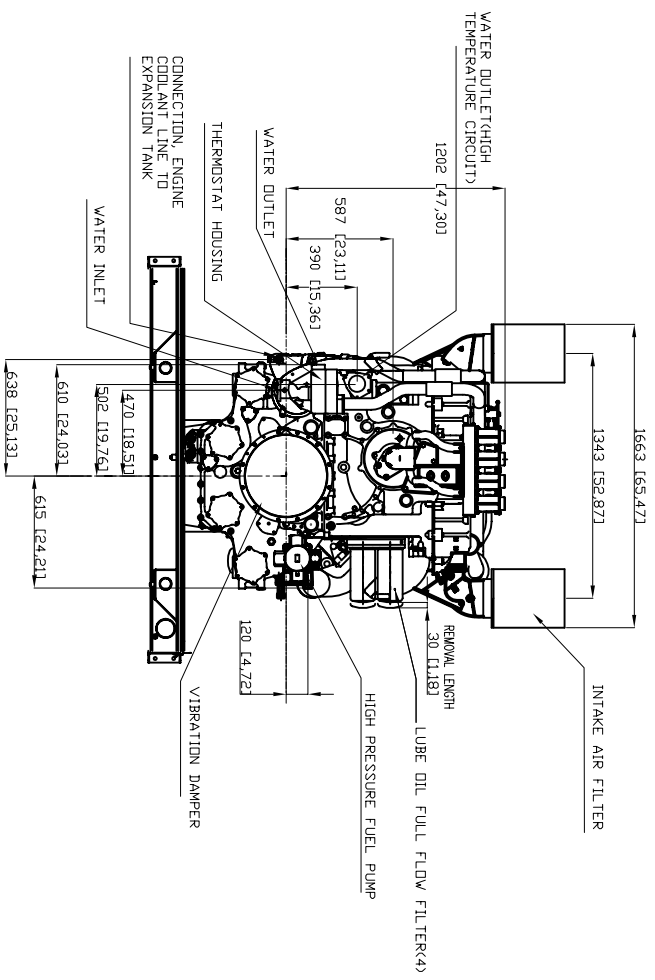
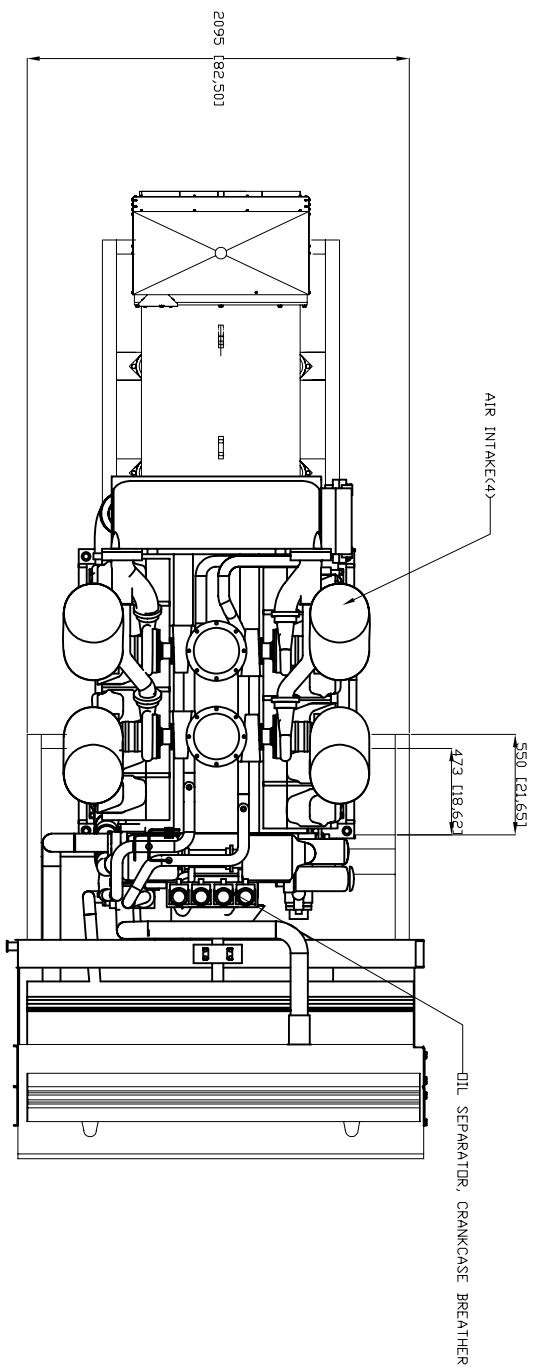
THE INFORMATION CONTAINED IN THESE DOCUMENT IS PROPERTY EXCLUSIVE OF MAQUINARIA IGSA THEREFORE, THE TOTAL OR PARTIAL REPRODUCTION WITHOUT NOT CONSENT CANNOT WRITING BE USED BY MAQUINARIA IGSA S.A DE C.

MAQUINARIA IGSA S.A. DE C.V.
 P.O. BOX 1000, AV. LAS AMERICAS 1000, ZONA INDUSTRIAL DE LAS AMERICAS, SAN JOSE DE LOS RIOS, PUEBLO NUEVO, MEXICO. TEL: 52-562-2872884. FAX: 52-562-2872885. WWW.MAQUINARIAIGSA.COM

GENERAL ADJUSTMENT GENSET 1500 KW WITH INTEGRATED

DATE: 21-05-07
 DRAWN: JLCS
 REVIEW: RTR
 APPROVED: HDB
 SHEET: 1 of 3

1 2 3 4 5 6 7 8 9 10 11 12



APPLICATE STANDARD	
NDRM	REVIEW

NOTE: DIMENSIONS IN [] ARE INCH

DESCRIPTION	REVIEW	NUMBER OF CHANGE	DATE	REVIEW
LIST OF REVISIONS				

1500 K.W
60HZ/40C COOLING
12V/4000 SERIES DDC
TIER 1

FD-G1-01-02 REV.02

COPY CONTROLLED

COPY NOT CONTROLLED

OBSOLETE DATE

20F3

MATERIAL	PART NUMBER	WEIGHT (KG)	FINISH	NOT FINISH	DISTRIBUTOR
NA	NA	NA	NA	NA	

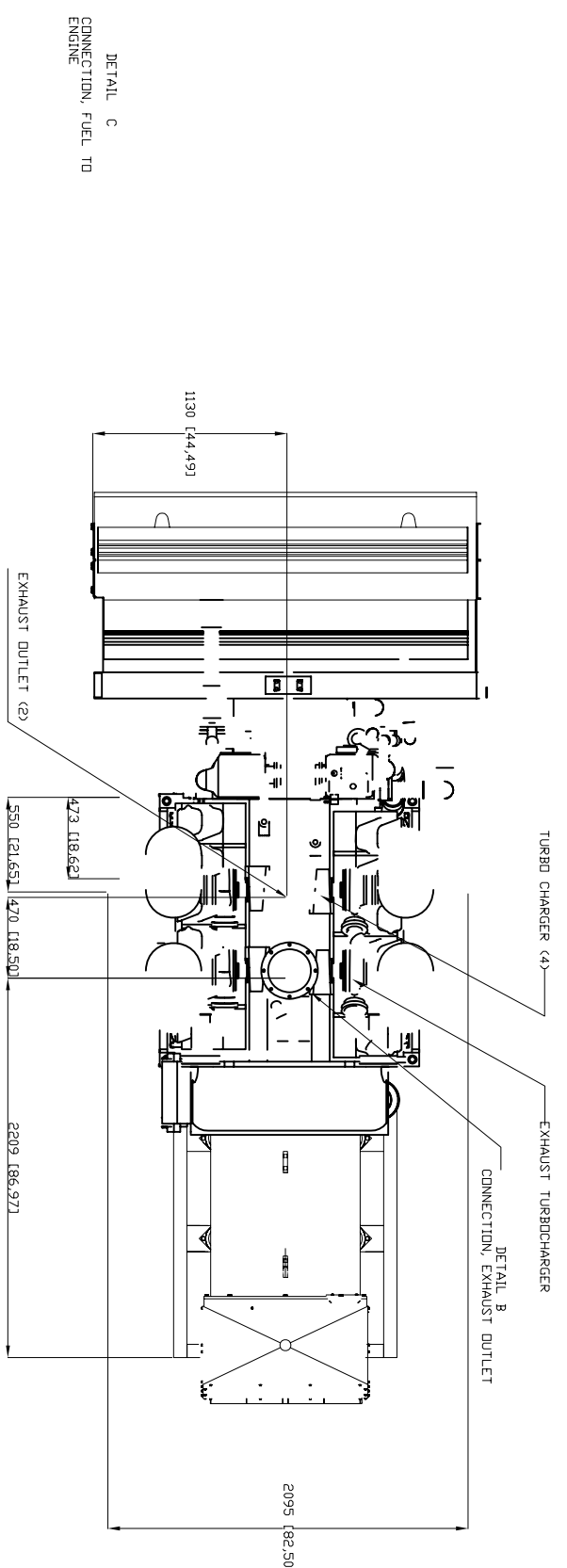
MANUFACTURING NOT TOLERANCE	MANUFACTURING TOLERANCE	ANGULAR
RANGE	DECIMAL	NO. DIM
0 mm - 200 mm	± 0.1 mm	± 1
200 mm - 1200 mm	± 0.15 mm	± 1
1200 mm - 10000 mm	± 0.2 mm	± 1
	± 0.3 mm	± 1
	± 0.5 mm	± 1
	± 0.8 mm	± 1
	± 1.0 mm	± 1

THE INFORMATION CONTAINED IN THESE DOCUMENT IS PROPERTY EXCLUSIVE OF MAQUINARIA IGSA THEREFORE, THE TOTAL OR PARTIAL REPRODUCTION WITHOUT NOT CONSENT CANNOT WRITING BE USED BY MAQUINARIA IGSA S.A DE C.

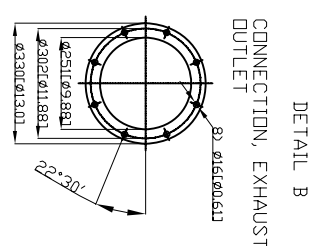
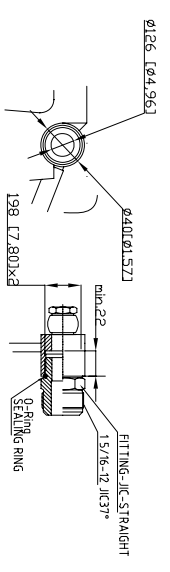
IGSA
MAQUINARIA IGSA S.A. DE C.V.
GENERAL ADJUSTMENT GENSET 1500 KW

DATE	21-05-07	DESIGNED	ALLES	REVIEW	RIZ	APPROVED	HLS
SCALE	1:1	DRAWN	ALLES	REVIEW	RIZ	APPROVED	HLS
TITLE	GENERAL ADJUSTMENT GENSET 1500 KW						

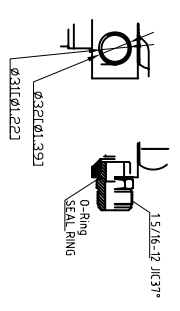
1 2 3 4 5 6 7 8 9 10 11 12



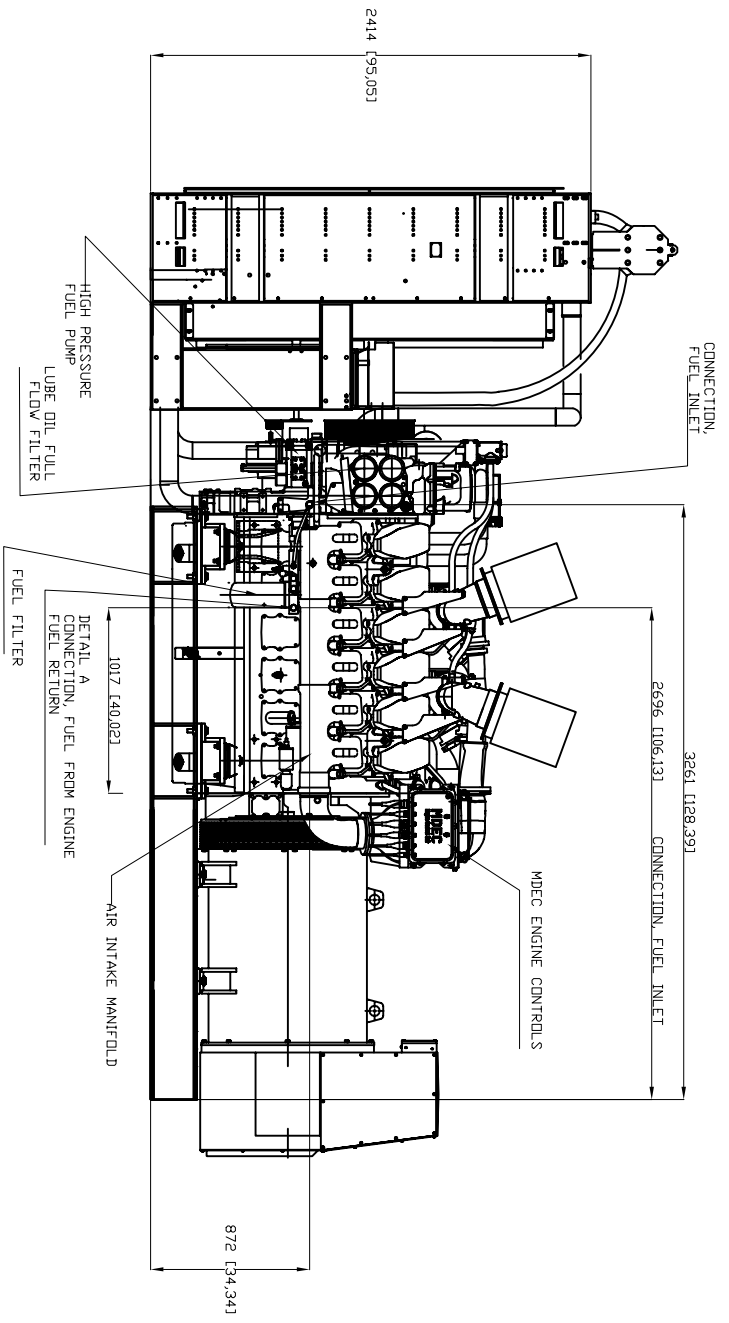
DETAIL C
CONNECTION, FUEL TO ENGINE



DETAIL B
CONNECTION, EXHAUST OUTLET



DETAIL A
CONNECTION, FUEL FROM ENGINE FUEL RETURN



APPLICATE STANDARD	REVIEW
NORM	

NOTE: DIMENSIONS IN [] ARE INCH

DESCRIPTION	REVIEW NUMBER	REVISIONS	DATE	REVIEW
LIST OF REVISIONS				

1500 K.W.
60HZ/40C COOLING
12V/4000 SERIES DDC
TIER 1

MATERIAL	PART NUMBER	WEIGHT (KG)	FINISH	NOT FINISH	DISTRIBUTOR
NA	NA	NA	NA	NA	

MANUFACTURING NOT TOLERANCE	MANUFACTURING TOLERANCE	ANGULAR
RANGE	DECIMAL	No. DIM
0 mm - 200 mm	± 0.1 mm	± 1
200 mm - 1200 mm	± 0.2 mm	± 1
1200 mm - 12000 mm	± 0.3 mm	± 1
12000 mm - 100000 mm	± 0.5 mm	± 1

THE INFORMATION CONTAINED IN THESE DOCUMENT IS PROPERTY EXCLUSIVE OF MAQUINARIA IGSA THEREFORE, THE TOTAL OR PARTIAL REPRODUCTION WITHOUT NOT CONSENT CANNOT BE USED BY MAQUINARIA IGSA S.A DE C.

SCALE: 1:1 (INDICATED OTHERWISE)

DATE: 21-05-07

DESIGNER: J.L.S.

REVIEWER: R.F.

APPROVED: H.S.

TITLE: GENERAL ADJUSTMENT GENSET 1500 KW

PROJECT NUMBER: GSD011500M

SHEET: 30 of 3