

1) WHEN SUBBASE TANK IS USED,
CONDUIT MUST BE LOCATED OUTSIDE
OF THE TANK AREA OR IN STUB-UP
AREA FOR SUBBASE TANK. REFER TO
SUBBASE ADV.

APPLICABLE STANDARD	REVIEW
NDRM	

NOTE: DIMENSIONS IN [] ARE INCH

DESCRIPTION	REVIEW	NUMBER OF CHANGE	DATE	REVIEW
LIST OF REVISIONS				

1000 KW
60HZ/40C COOLING
16V2000 SERIES DDC
TIER I

MATERIAL	PART NUMBER (KG)	FINISH	NOT FINISH	OTHER
NA	NA	NA	NA	NA

MANUFACTURING NOT TOLERANCE	MANUFACTURING TOLERANCE	ANGULAR
RANGE	DECIMAL	No. DIM
0 mm - 200 mm	± 0.1 mm	90° ±
200 mm - 1200 mm	± 0.2 mm	DIM
1200 mm - 12000 mm	± 0.3 mm	± 1
12000 mm - 100000 mm	± 0.5 mm	

DESCRIPTION	REVIEW	NUMBER OF CHANGE	DATE	REVIEW
LIST OF REVISIONS				

THE INFORMATION CONTAINED IN THESE DOCUMENT IS PROPERTY EXCLUSIVE OF MAQUINARIA IGSA THEREFORE, THE TOTAL OR PARTIAL REPRODUCTION WITHOUT NOT CONSENT CANNOT WRITING BE USED BY MAQUINARIA IGSA S.A DE C.

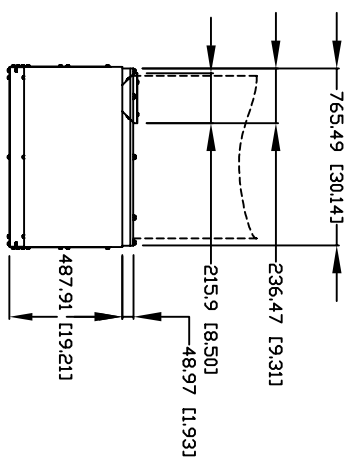
MAQUINARIA IGSA S.A. DE C.V.
 GENERAL ADJUSTMENT GEN SET 1000 KW
 WITH INTEGRATED TANK

DATE: 12-02-07
 DRAWN: GOMEZ
 REVIEW: ME & RAMON
 APPROVED: ME & RAMON

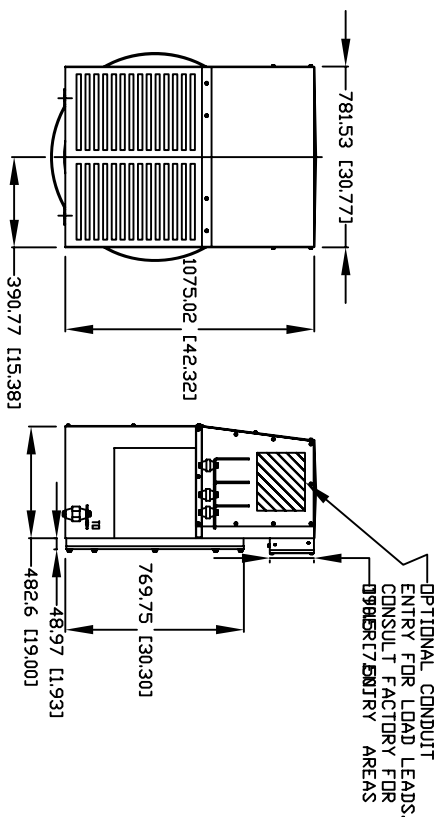
TITLE: GENERAL ADJUSTMENT GEN SET 1000 KW WITH INTEGRATED TANK

SCALE: 1:1
 DIMENSION: mm

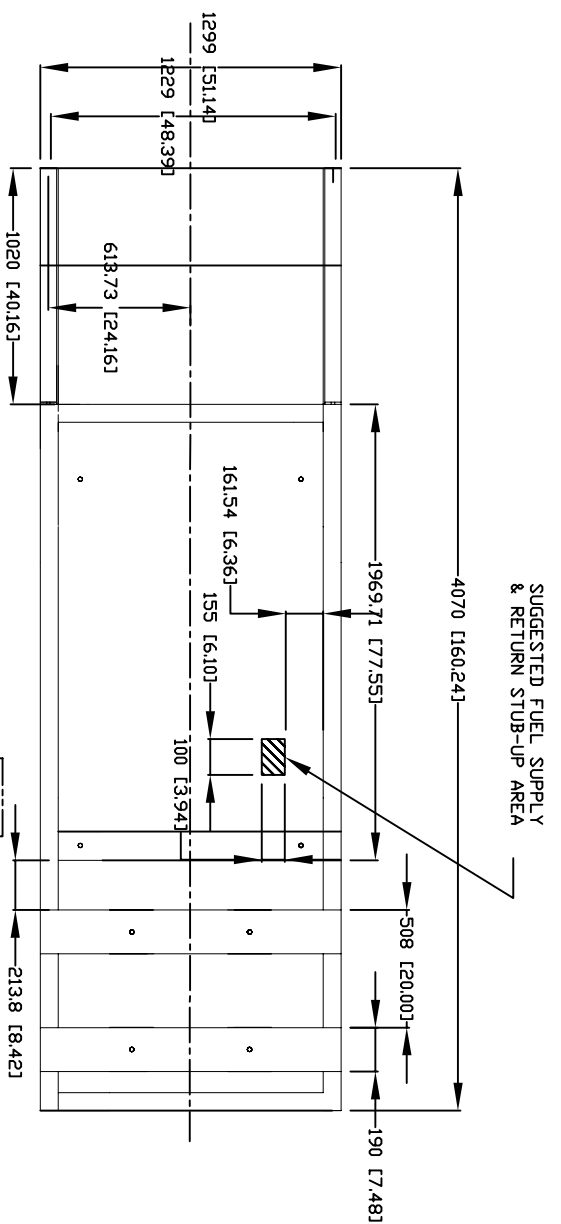
REV: 01
 SHEET: 10 of 4



NOTE: CONSULT FACTORY FOR OTHER ENTRY AREAS



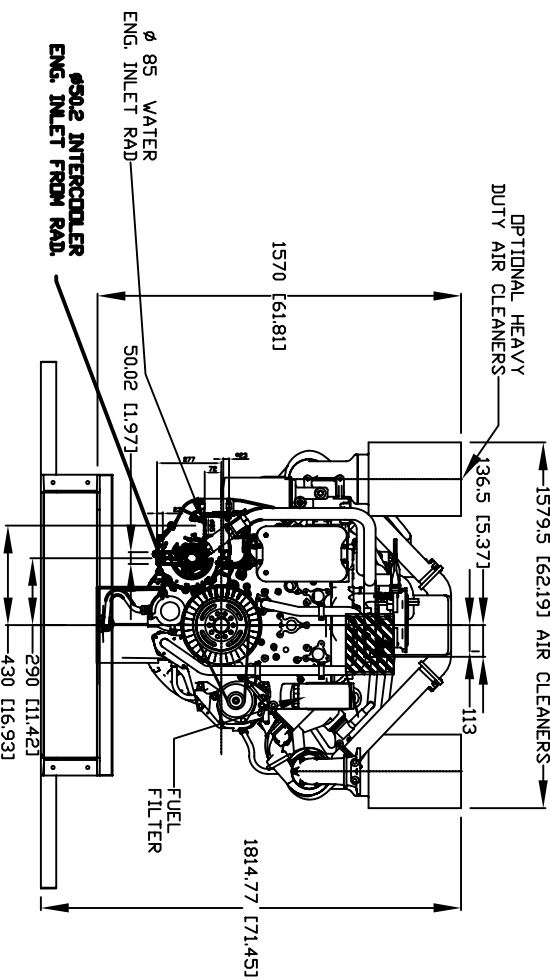
OPTIONAL CONDUIT ENTRY FOR LOAD LEADS, CONSULT FACTORY FOR OTHER ENTRY AREAS



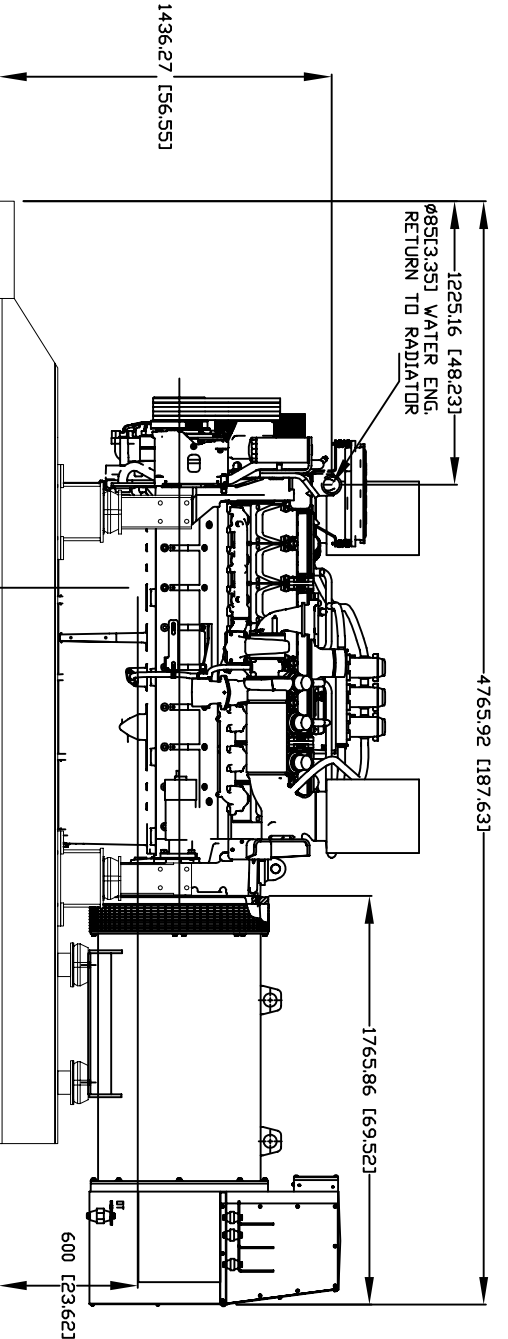
SUGGESTED FUEL SUPPLY & RETURN STUB-UP AREA

OPTIONAL BATTERY RACK

NOTE:
FOR FUEL INLET & RETURN, CONDUIT ENTRY AREAS & BATTERY RACK LOCATIONS SEE SHEETS 1 & 2



OPTIONAL HEAVY DUTY AIR CLEANERS
 Ø 85 WATER ENG. INLET RAD.
 4502 INTERCOOLER ENG. INLET FROM RAD.
 FUEL FILTER



Ø85(3.35) WATER ENG. RETURN TO RADIATOR

APPLICATE STANDARD

REVIEW

NOTE: DIMENSIONS IN [] ARE INCH

1000 KW
60HZ/40C COOLING
16V2000 SERIES DDC
TIER I

DESCRIPTION	REVIEW	NUMBER OF CHANGE	DATE	REVIEW
LIST OF REVISIONS				

FD-G1-01-02 REV.02

COPY CONTROLLED

COPY NOT CONTROLLED

DATE

3 of 4

DESCRIPTION	REVIEW	NUMBER OF CHANGE	DATE	REVIEW
LIST OF REVISIONS				

MATERIAL	PART NUMBER/WEIGHT (KG)	FINISH	NOT FINISH	OTHER
NA	NA	NA	NA	2400E9449J PREHEATER

MANUFACTURING NOT TOLERANCE	MANUFACTURING TOLERANCE	ANGULAR
RANGE	DECIMAL	NO. DIM
0 mm - 200 mm	± 0.10	± 1
200 mm - 1200 mm	± 0.15	± 1
1200 mm - 12000 mm	± 0.20	± 1
12000 mm - 100000 mm	± 0.30	± 1

DATE	DESIGNED	CHECKED	REVIEWED	APPROVED
12-02-07	BRAMANN	CONKEZ	ME R. RAMDIA	ME. SIDA

SCALE	TITLE	SHEET
1:1	GENERAL ADJUSTMENT GEN SET 1000 KW WITH INTEGRATED TANK	3 of 4

