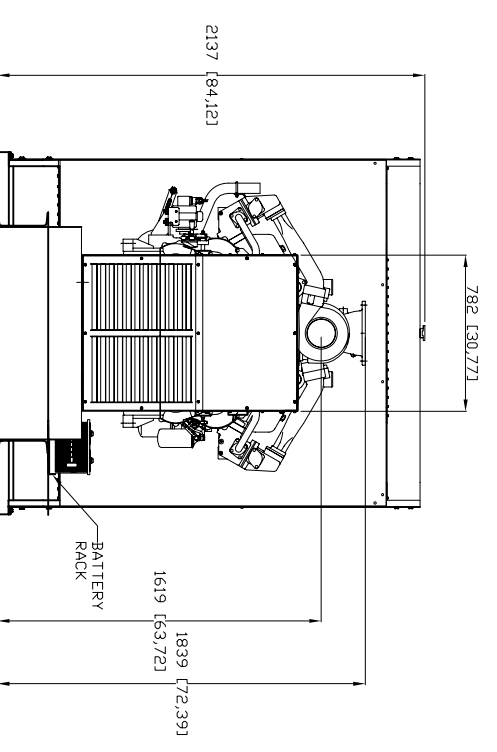
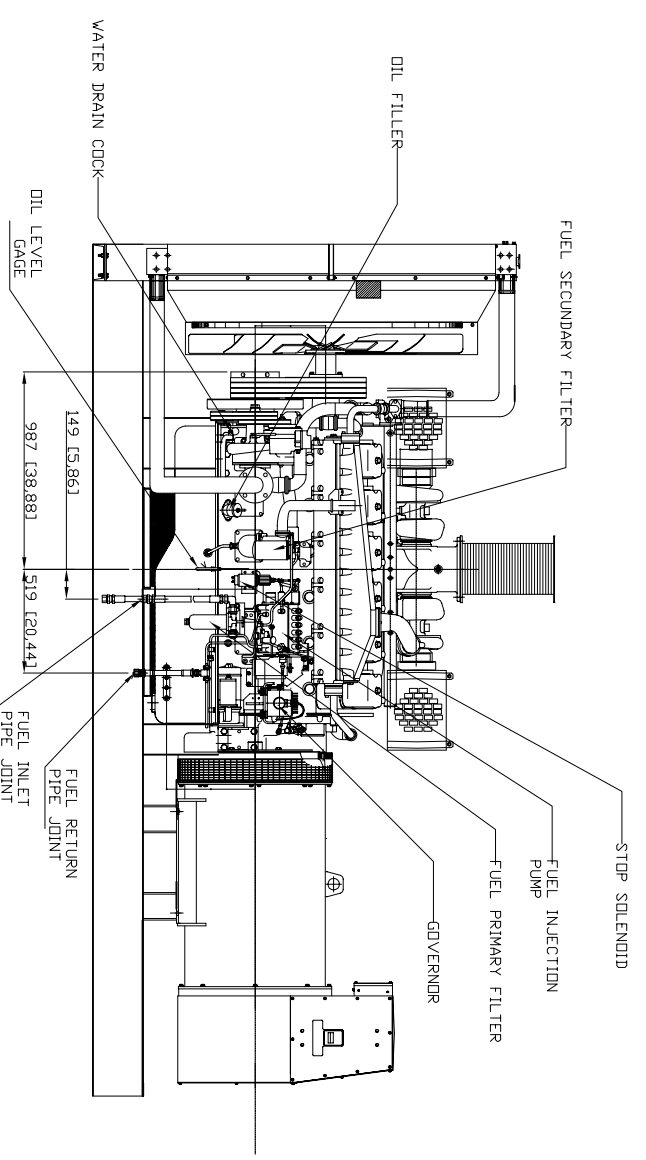
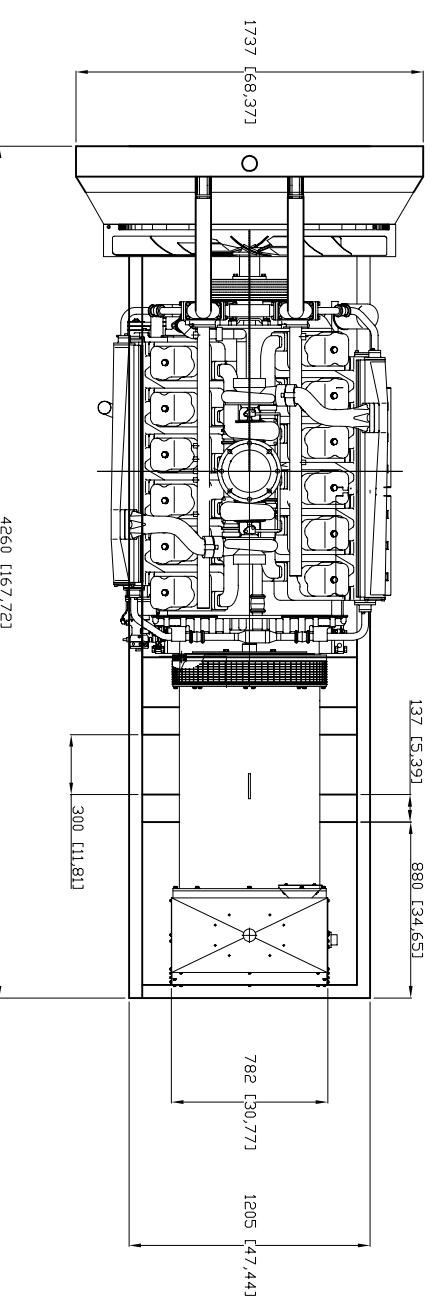


GENSET 800KW GENERAL FEATURES WITH CHASSIS					
ASSEMBLY NUMBER	CAPACITY KW	ENGINE MODEL	MARATHON ALTERNATOR MODEL	Weight without diesel engine in LBS/KG	FUEL CONSUMPTION WITH LOAD IN LBS/HR AND ENGINE POWER at 75% and 100%
GS-MI-800-AM	800	S12K2-V1P1TA-1	574RSR4D38	kg	at 75% 283.5 at 100% 381.8



APPLICATE STANDARD	REVIEW
NORM	

NOTE: DIMENSIONS IN [] ARE INCH

DESCRIPTION	REVIEW NUMBER	REVISION NUMBER	DATE	REVIEW
LIST OF REVISIONS				

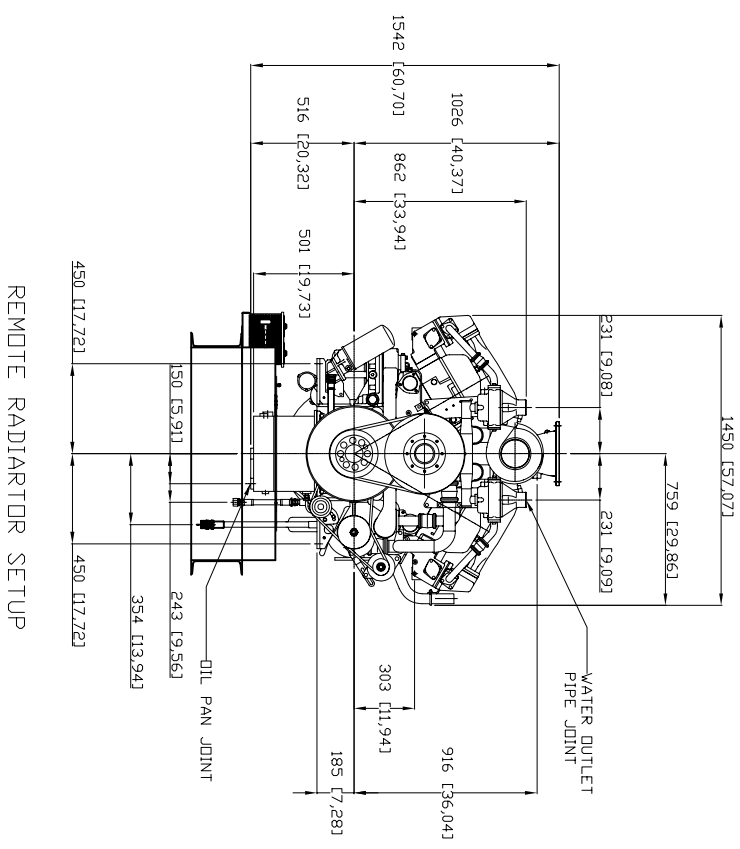
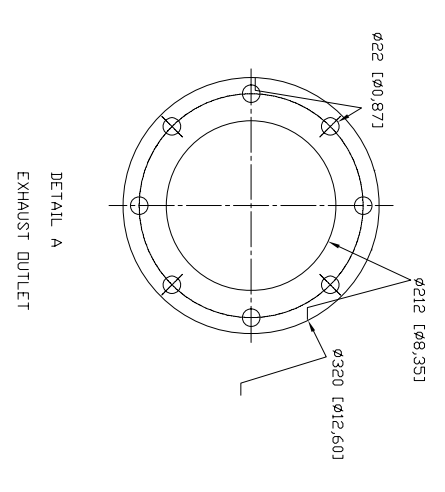
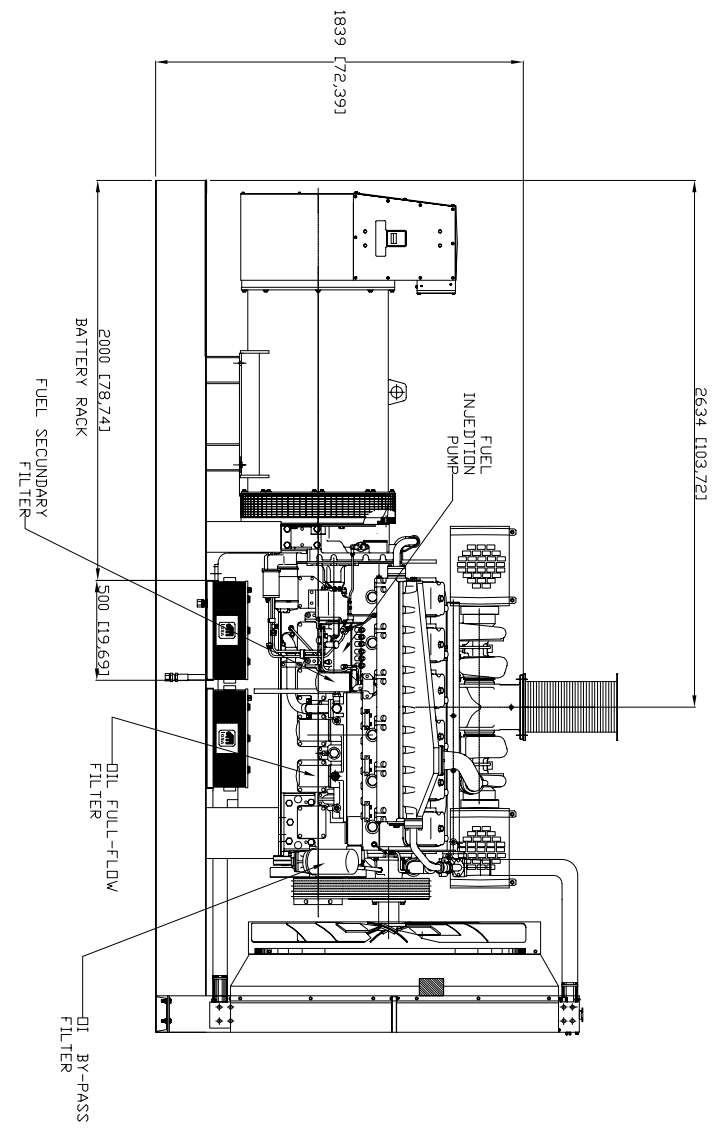
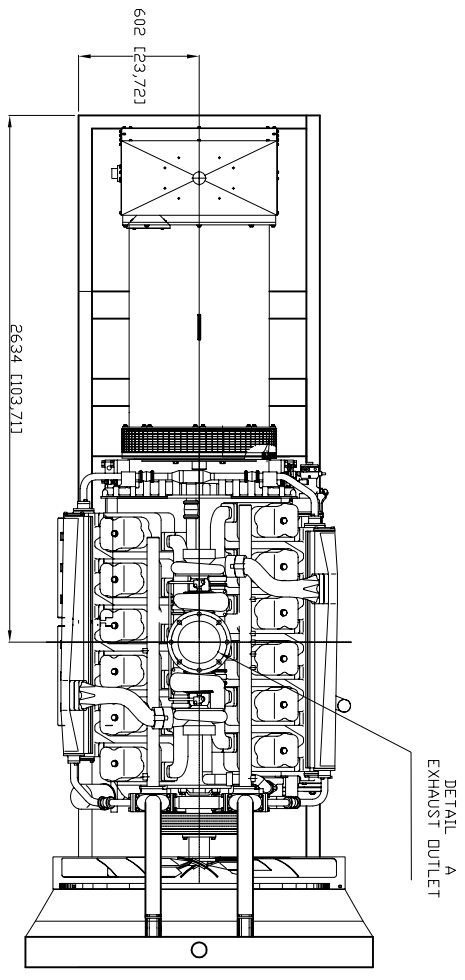
800 KW
60HZ/40C COOLING
S12K2-V1P1TA-1 SERIES
MITSUBISHI
TIER 1

MATERIAL	PART NUMBER	WEIGHT (KG)	FINISH	NOT FINISH	DISTRIBER
NA	NA	NA	NA	NA	

MANUFACTURING NOT TOLERANCE	MANUFACTURING TOLERANCE	ANGULAR
RANGE	DECIMAL	No. DIM
0 mm - 200 mm	± 0.1 mm	± 0.5
200 mm - 1200 mm	± 0.2 mm	± 0.007
1200 mm - 10000 mm	± 0.3 mm	± 0.01

DESCRIPTION	REVIEW NUMBER	REVISION NUMBER	DATE	REVIEW
THE INFORMATION CONTAINED IN THESE DOCUMENT IS PROPERTY EXCLUSIVE OF MAQUINARIA ISGA THEREFORE, THE TOTAL OR PARTIAL REPRODUCTION WITHOUT NOT CONSENT CANNOT WRITING BE USED OF MAQUINARIA ISGA S.A DE C.				

SCALE	DATE	DRAWN	REVIEW	APPROVED	REV.
1:1	31-05-07	GOKEZ	INC. R.P.R.	INC. M.D.S.	01
SHEET 1 of 3					



NOTE: DIMENSIONS IN [] ARE INCH

APPLICATE STANDARD	
NDRM	REVIEW

DESCRIPTION	REVIEW	NUMBER OF CHANGE	DATE	REVIEW
LIST OF REVISIONS				

800 KW
60HZ/40C COOLING
S12A2-Y1P7A-1 SERIES
MITSUBISHI
TIER 1

MATERIAL	NA	PART NUMBER	NA	WEIGHT (KG)	FINISH	NOT FINISH	DISTRIBUTOR
STANDARD TOLERANCES OF NOT SPECIFY OTHER							

MANUFACTURING NOT TOLERANCES		MANUFACTURING TOLERANCE		ANGULAR	
RANGE	TOLERANCES	DECIMAL	LINEAR	DIAMETER	DIM
0 mm - 200 mm	± 0.1 mm	0	± 0.12	± 0.08	No. DIM
200 mm - 1200 mm	± 0.2 mm	0	± 0.15	± 0.10	90 ± 2
1200 mm - 10000 mm	± 0.3 mm	0	± 0.20	± 0.15	90 ± 2
		FRACTION			DIM
		1/16			± 0.1
		1/32			± 0.05
		1/64			± 0.025
		3/128			± 0.015
		1/16			± 0.0625
		1/32			± 0.03125
		1/64			± 0.015625
		3/128			± 0.0078125
		1/16			± 0.0625
		1/32			± 0.03125
		1/64			± 0.015625
		3/128			± 0.0078125
		1/16			± 0.0625
		1/32			± 0.03125
		1/64			± 0.015625
		3/128			± 0.0078125
		1/16			± 0.0625
		1/32			± 0.03125
		1/64			± 0.015625
		3/128			± 0.0078125

THE INFORMATION CONTAINED IN THESE DOCUMENT IS PROPERTY EXCLUSIVE OF MAQUINARIA ISGA SA DE C. THEREFORE, THE TOTAL OR PARTIAL REPRODUCTION WITHOUT NOT CONSENT CANNOT BE WRITING BE USED OF MAQUINARIA ISGA SA DE C.

<p>MAQUINARIA ISGA S.A. DE C.V. CALLE DE LA INDUSTRIA No. 1000, ZONA INDUSTRIAL DE LA INDUSTRIA, CIUDAD DE GUAYMAS, SONORA, MEXICO. C.P. 87000 TEL: 52-54-662-272727 FAX: 52-54-662-272727</p>		<p>CAPACITY OF 800 KW IN EMERGENCY. READ 400/230V/50HZ. STARTING IN 15 SEC. WITH MITSUBISHI INVERTER AND MITSUBISHI ALTERNATOR.</p>	
<p>TITLE: GENERAL ADJUSTMENT GENSET 800 KW</p>		<p>DRAWN: _____</p>	
<p>DATE: 31-05-07</p>		<p>REVIEW: _____</p>	
<p>SCALE: 1:1</p>		<p>APPROVED: _____</p>	
<p>PROJ. NUMBER: GSM110800M</p>		<p>REV. 01</p>	
<p>SHEET 2 of 3</p>		<p>DATE: _____</p>	

