

CONDUIT ENTRY AREA FOR GENERATOR
LOAD LEADS (BOTTOM ENTRY), CIRCUIT
BREAKER (OPTION), REMOTE CONNECTION
TO TRANSFER SWITCH AND REMOTE
ANNUNCIATOR

NOTE: DIMENSIONS IN [] ARE INCH

| | |
|---------------------|--------|
| APPLICABLE STANDARD | |
| NORM | REVIEW |

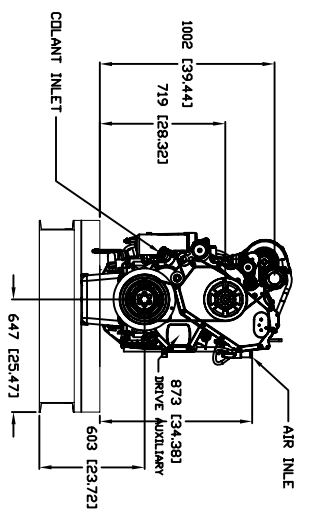
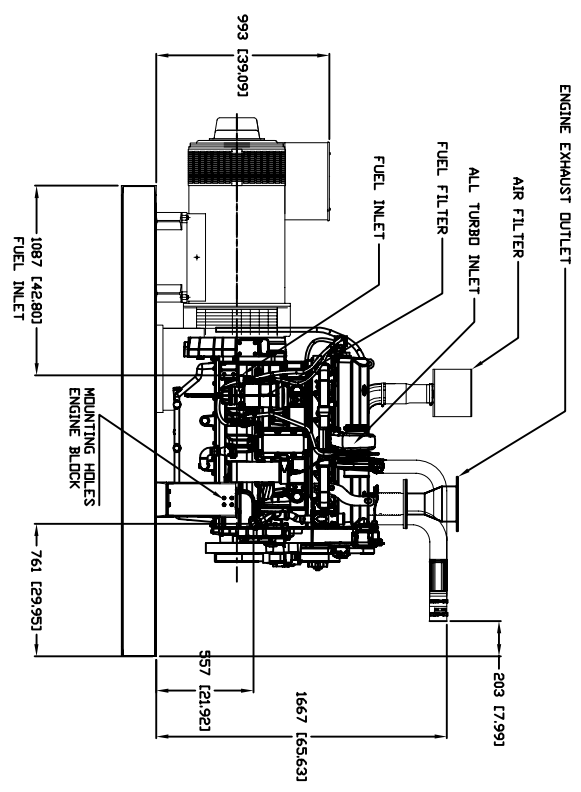
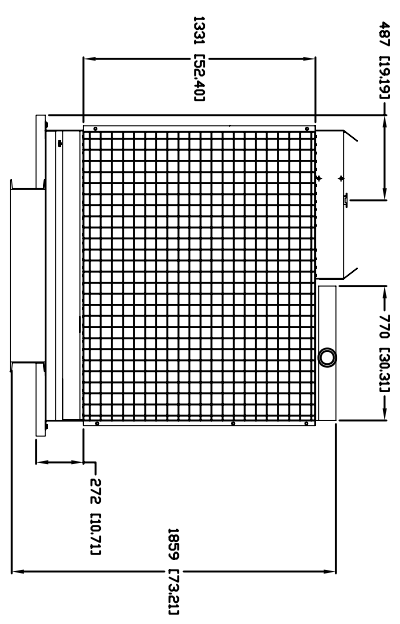
| DESCRIPTION | REVIEW NUMBER OF CHANGE | DATE | REVIEW |
|-------------------|-------------------------|------|--------|
| LIST OF REVISIONS | | | |

| MATERIAL | NA | PART NUMBER/WEIGHT (KG) | FINISH | NA | NOT FINISH |
|--|---------------|-------------------------|--------|----------|------------|
| STANDARD TOLERANCES OF NOT SPECIFY OTHER | | | | | |
| HAND FAVORING NOT TOLERANCE | | | | | |
| RANGE | 0 MM - 200 MM | DECIMAL | LINEAR | DIAMETER | ANGULAR |
| 20 MM - 25 MM | ± 0.10 | 0 | ± 0.05 | ± 0.10 | ± 1 |
| 25 MM - 50 MM | ± 0.15 | 0 | ± 0.05 | ± 0.10 | ± 1 |
| 50 MM - 100 MM | ± 0.20 | 0 | ± 0.05 | ± 0.10 | ± 1 |
| 100 MM - 200 MM | ± 0.30 | 0 | ± 0.05 | ± 0.10 | ± 1 |
| 200 MM - 400 MM | ± 0.40 | 0 | ± 0.05 | ± 0.10 | ± 1 |
| 400 MM - 600 MM | ± 0.50 | 0 | ± 0.05 | ± 0.10 | ± 1 |
| 600 MM - 800 MM | ± 0.60 | 0 | ± 0.05 | ± 0.10 | ± 1 |
| 800 MM - 1000 MM | ± 0.70 | 0 | ± 0.05 | ± 0.10 | ± 1 |
| 1000 MM - 1500 MM | ± 0.80 | 0 | ± 0.05 | ± 0.10 | ± 1 |
| 1500 MM - 2000 MM | ± 0.90 | 0 | ± 0.05 | ± 0.10 | ± 1 |
| 2000 MM - 3000 MM | ± 1.00 | 0 | ± 0.05 | ± 0.10 | ± 1 |
| 3000 MM - 4000 MM | ± 1.10 | 0 | ± 0.05 | ± 0.10 | ± 1 |
| 4000 MM - 5000 MM | ± 1.20 | 0 | ± 0.05 | ± 0.10 | ± 1 |
| 5000 MM - 6000 MM | ± 1.30 | 0 | ± 0.05 | ± 0.10 | ± 1 |
| 6000 MM - 7000 MM | ± 1.40 | 0 | ± 0.05 | ± 0.10 | ± 1 |
| 7000 MM - 8000 MM | ± 1.50 | 0 | ± 0.05 | ± 0.10 | ± 1 |
| 8000 MM - 9000 MM | ± 1.60 | 0 | ± 0.05 | ± 0.10 | ± 1 |
| 9000 MM - 10000 MM | ± 1.70 | 0 | ± 0.05 | ± 0.10 | ± 1 |
| 10000 MM - 15000 MM | ± 1.80 | 0 | ± 0.05 | ± 0.10 | ± 1 |
| 15000 MM - 20000 MM | ± 1.90 | 0 | ± 0.05 | ± 0.10 | ± 1 |
| 20000 MM - 30000 MM | ± 2.00 | 0 | ± 0.05 | ± 0.10 | ± 1 |
| 30000 MM - 40000 MM | ± 2.10 | 0 | ± 0.05 | ± 0.10 | ± 1 |
| 40000 MM - 50000 MM | ± 2.20 | 0 | ± 0.05 | ± 0.10 | ± 1 |
| 50000 MM - 60000 MM | ± 2.30 | 0 | ± 0.05 | ± 0.10 | ± 1 |
| 60000 MM - 70000 MM | ± 2.40 | 0 | ± 0.05 | ± 0.10 | ± 1 |
| 70000 MM - 80000 MM | ± 2.50 | 0 | ± 0.05 | ± 0.10 | ± 1 |
| 80000 MM - 90000 MM | ± 2.60 | 0 | ± 0.05 | ± 0.10 | ± 1 |
| 90000 MM - 100000 MM | ± 2.70 | 0 | ± 0.05 | ± 0.10 | ± 1 |
| 100000 MM - 150000 MM | ± 2.80 | 0 | ± 0.05 | ± 0.10 | ± 1 |
| 150000 MM - 200000 MM | ± 2.90 | 0 | ± 0.05 | ± 0.10 | ± 1 |
| 200000 MM - 300000 MM | ± 3.00 | 0 | ± 0.05 | ± 0.10 | ± 1 |
| 300000 MM - 400000 MM | ± 3.10 | 0 | ± 0.05 | ± 0.10 | ± 1 |
| 400000 MM - 500000 MM | ± 3.20 | 0 | ± 0.05 | ± 0.10 | ± 1 |
| 500000 MM - 600000 MM | ± 3.30 | 0 | ± 0.05 | ± 0.10 | ± 1 |
| 600000 MM - 700000 MM | ± 3.40 | 0 | ± 0.05 | ± 0.10 | ± 1 |
| 700000 MM - 800000 MM | ± 3.50 | 0 | ± 0.05 | ± 0.10 | ± 1 |
| 800000 MM - 900000 MM | ± 3.60 | 0 | ± 0.05 | ± 0.10 | ± 1 |
| 900000 MM - 1000000 MM | ± 3.70 | 0 | ± 0.05 | ± 0.10 | ± 1 |
| 1000000 MM - 1500000 MM | ± 3.80 | 0 | ± 0.05 | ± 0.10 | ± 1 |
| 1500000 MM - 2000000 MM | ± 3.90 | 0 | ± 0.05 | ± 0.10 | ± 1 |
| 2000000 MM - 3000000 MM | ± 4.00 | 0 | ± 0.05 | ± 0.10 | ± 1 |
| 3000000 MM - 4000000 MM | ± 4.10 | 0 | ± 0.05 | ± 0.10 | ± 1 |
| 4000000 MM - 5000000 MM | ± 4.20 | 0 | ± 0.05 | ± 0.10 | ± 1 |
| 5000000 MM - 6000000 MM | ± 4.30 | 0 | ± 0.05 | ± 0.10 | ± 1 |
| 6000000 MM - 7000000 MM | ± 4.40 | 0 | ± 0.05 | ± 0.10 | ± 1 |
| 7000000 MM - 8000000 MM | ± 4.50 | 0 | ± 0.05 | ± 0.10 | ± 1 |
| 8000000 MM - 9000000 MM | ± 4.60 | 0 | ± 0.05 | ± 0.10 | ± 1 |
| 9000000 MM - 10000000 MM | ± 4.70 | 0 | ± 0.05 | ± 0.10 | ± 1 |
| 10000000 MM - 15000000 MM | ± 4.80 | 0 | ± 0.05 | ± 0.10 | ± 1 |
| 15000000 MM - 20000000 MM | ± 4.90 | 0 | ± 0.05 | ± 0.10 | ± 1 |
| 20000000 MM - 30000000 MM | ± 5.00 | 0 | ± 0.05 | ± 0.10 | ± 1 |
| 30000000 MM - 40000000 MM | ± 5.10 | 0 | ± 0.05 | ± 0.10 | ± 1 |
| 40000000 MM - 50000000 MM | ± 5.20 | 0 | ± 0.05 | ± 0.10 | ± 1 |
| 50000000 MM - 60000000 MM | ± 5.30 | 0 | ± 0.05 | ± 0.10 | ± 1 |
| 60000000 MM - 70000000 MM | ± 5.40 | 0 | ± 0.05 | ± 0.10 | ± 1 |
| 70000000 MM - 80000000 MM | ± 5.50 | 0 | ± 0.05 | ± 0.10 | ± 1 |
| 80000000 MM - 90000000 MM | ± 5.60 | 0 | ± 0.05 | ± 0.10 | ± 1 |
| 90000000 MM - 100000000 MM | ± 5.70 | 0 | ± 0.05 | ± 0.10 | ± 1 |
| 100000000 MM - 150000000 MM | ± 5.80 | 0 | ± 0.05 | ± 0.10 | ± 1 |
| 150000000 MM - 200000000 MM | ± 5.90 | 0 | ± 0.05 | ± 0.10 | ± 1 |
| 200000000 MM - 300000000 MM | ± 6.00 | 0 | ± 0.05 | ± 0.10 | ± 1 |
| 300000000 MM - 400000000 MM | ± 6.10 | 0 | ± 0.05 | ± 0.10 | ± 1 |
| 400000000 MM - 500000000 MM | ± 6.20 | 0 | ± 0.05 | ± 0.10 | ± 1 |
| 500000000 MM - 600000000 MM | ± 6.30 | 0 | ± 0.05 | ± 0.10 | ± 1 |
| 600000000 MM - 700000000 MM | ± 6.40 | 0 | ± 0.05 | ± 0.10 | ± 1 |
| 700000000 MM - 800000000 MM | ± 6.50 | 0 | ± 0.05 | ± 0.10 | ± 1 |
| 800000000 MM - 900000000 MM | ± 6.60 | 0 | ± 0.05 | ± 0.10 | ± 1 |
| 900000000 MM - 1000000000 MM | ± 6.70 | 0 | ± 0.05 | ± 0.10 | ± 1 |
| 1000000000 MM - 1500000000 MM | ± 6.80 | 0 | ± 0.05 | ± 0.10 | ± 1 |
| 1500000000 MM - 2000000000 MM | ± 6.90 | 0 | ± 0.05 | ± 0.10 | ± 1 |
| 2000000000 MM - 3000000000 MM | ± 7.00 | 0 | ± 0.05 | ± 0.10 | ± 1 |
| 3000000000 MM - 4000000000 MM | ± 7.10 | 0 | ± 0.05 | ± 0.10 | ± 1 |
| 4000000000 MM - 5000000000 MM | ± 7.20 | 0 | ± 0.05 | ± 0.10 | ± 1 |
| 5000000000 MM - 6000000000 MM | ± 7.30 | 0 | ± 0.05 | ± 0.10 | ± 1 |
| 6000000000 MM - 7000000000 MM | ± 7.40 | 0 | ± 0.05 | ± 0.10 | ± 1 |
| 7000000000 MM - 8000000000 MM | ± 7.50 | 0 | ± 0.05 | ± 0.10 | ± 1 |
| 8000000000 MM - 9000000000 MM | ± 7.60 | 0 | ± 0.05 | ± 0.10 | ± 1 |
| 9000000000 MM - 10000000000 MM | ± 7.70 | 0 | ± 0.05 | ± 0.10 | ± 1 |
| 10000000000 MM - 15000000000 MM | ± 7.80 | 0 | ± 0.05 | ± 0.10 | ± 1 |
| 15000000000 MM - 20000000000 MM | ± 7.90 | 0 | ± 0.05 | ± 0.10 | ± 1 |
| 20000000000 MM - 30000000000 MM | ± 8.00 | 0 | ± 0.05 | ± 0.10 | ± 1 |
| 30000000000 MM - 40000000000 MM | ± 8.10 | 0 | ± 0.05 | ± 0.10 | ± 1 |
| 40000000000 MM - 50000000000 MM | ± 8.20 | 0 | ± 0.05 | ± 0.10 | ± 1 |
| 50000000000 MM - 60000000000 MM | ± 8.30 | 0 | ± 0.05 | ± 0.10 | ± 1 |
| 60000000000 MM - 70000000000 MM | ± 8.40 | 0 | ± 0.05 | ± 0.10 | ± 1 |
| 70000000000 MM - 80000000000 MM | ± 8.50 | 0 | ± 0.05 | ± 0.10 | ± 1 |
| 80000000000 MM - 90000000000 MM | ± 8.60 | 0 | ± 0.05 | ± 0.10 | ± 1 |
| 90000000000 MM - 100000000000 MM | ± 8.70 | 0 | ± 0.05 | ± 0.10 | ± 1 |
| 100000000000 MM - 150000000000 MM | ± 8.80 | 0 | ± 0.05 | ± 0.10 | ± 1 |
| 150000000000 MM - 200000000000 MM | ± 8.90 | 0 | ± 0.05 | ± 0.10 | ± 1 |
| 200000000000 MM - 300000000000 MM | ± 9.00 | 0 | ± 0.05 | ± 0.10 | ± 1 |
| 300000000000 MM - 400000000000 MM | ± 9.10 | 0 | ± 0.05 | ± 0.10 | ± 1 |
| 400000000000 MM - 500000000000 MM | ± 9.20 | 0 | ± 0.05 | ± 0.10 | ± 1 |
| 500000000000 MM - 600000000000 MM | ± 9.30 | 0 | ± 0.05 | ± 0.10 | ± 1 |
| 600000000000 MM - 700000000000 MM | ± 9.40 | 0 | ± 0.05 | ± 0.10 | ± 1 |
| 700000000000 MM - 800000000000 MM | ± 9.50 | 0 | ± 0.05 | ± 0.10 | ± 1 |
| 800000000000 MM - 900000000000 MM | ± 9.60 | 0 | ± 0.05 | ± 0.10 | ± 1 |
| 900000000000 MM - 1000000000000 MM | ± 9.70 | 0 | ± 0.05 | ± 0.10 | ± 1 |
| 1000000000000 MM - 1500000000000 MM | ± 9.80 | 0 | ± 0.05 | ± 0.10 | ± 1 |
| 1500000000000 MM - 2000000000000 MM | ± 9.90 | 0 | ± 0.05 | ± 0.10 | ± 1 |
| 2000000000000 MM - 3000000000000 MM | ± 10.00 | 0 | ± 0.05 | ± 0.10 | ± 1 |

MAQUINARIA TISA S.A. DE C.V.
 GENERAL ADMINISTRATION DEPARTMENT
 VENTA GENERAL

DATE: 05-01-2010
 DRAWN: ALSS
 CHECK: VIL
 REVIEW: VIL
 APPROVED: VIL

CSJ0204005
 SHEET 1 OF 3



NOTE: DIMENSIONS IN [] ARE INCH

| | |
|--------------------|--------|
| APPLICANT STANDARD | REVIEW |
| NORM | |

| DESCRIPTION | REVIEW NUMBER OF CHANGE | DATE | REVIEW |
|-------------------|-------------------------|------|--------|
| LIST OF REVISIONS | | | |

| | | | | | | | |
|--|------------|-------------------------|--------|----------|---------|------------|----|
| MATERIAL | NA | PART NUMBER/WEIGHT (KG) | NA | FINISH | NA | NOT FINISH | NA |
| STANDARD TOLERANCES OF NOT SPECIFY OTHER | | | | | | | |
| HAND FACING NOT TOLERANCE | | MANUFACTURING TOLERANCE | | DIAMETER | | ANGULAR | |
| RANGE | TOLERANCES | DECIMAL | LINEAR | DIA | NO. DIA | DIA | |
| 0 mm - 200 mm | +0.10 mm | 0 | ± 0.25 | ± 0.02 | ± 0.1 | ± 0.1 | |
| 200 mm - 400 mm | +0.15 mm | 0 | ± 0.30 | ± 0.03 | ± 0.1 | ± 0.1 | |
| 400 mm - 600 mm | +0.20 mm | 0 | ± 0.40 | ± 0.04 | ± 0.1 | ± 0.1 | |
| 600 mm - 1000 mm | +0.30 mm | 0 | ± 0.50 | ± 0.05 | ± 0.1 | ± 0.1 | |
| 1000 mm - 1500 mm | +0.40 mm | 0 | ± 0.60 | ± 0.06 | ± 0.1 | ± 0.1 | |
| 1500 mm - 2000 mm | +0.50 mm | 0 | ± 0.70 | ± 0.07 | ± 0.1 | ± 0.1 | |
| 2000 mm - 3000 mm | +0.60 mm | 0 | ± 0.80 | ± 0.08 | ± 0.1 | ± 0.1 | |
| 3000 mm - 4000 mm | +0.70 mm | 0 | ± 0.90 | ± 0.09 | ± 0.1 | ± 0.1 | |
| 4000 mm - 5000 mm | +0.80 mm | 0 | ± 1.00 | ± 0.10 | ± 0.1 | ± 0.1 | |
| 5000 mm - 6000 mm | +0.90 mm | 0 | ± 1.10 | ± 0.11 | ± 0.1 | ± 0.1 | |
| 6000 mm - 7000 mm | +1.00 mm | 0 | ± 1.20 | ± 0.12 | ± 0.1 | ± 0.1 | |
| 7000 mm - 8000 mm | +1.10 mm | 0 | ± 1.30 | ± 0.13 | ± 0.1 | ± 0.1 | |
| 8000 mm - 9000 mm | +1.20 mm | 0 | ± 1.40 | ± 0.14 | ± 0.1 | ± 0.1 | |
| 9000 mm - 10000 mm | +1.30 mm | 0 | ± 1.50 | ± 0.15 | ± 0.1 | ± 0.1 | |

THE INFORMATION CONTAINED IN THESE DOCUMENT IS PROPERTY EXCLUSIVE OF MAQUINARIA TUSA THEREFORE, THE TOTAL OR PARTIAL REPRODUCTION WITHOUT NOT CONSENT CANNOT BE WRITING BE USED OF MAQUINARIA TUSA S.A DE C.

FD-50-01-02 REV.01

COPY CONTROLLED

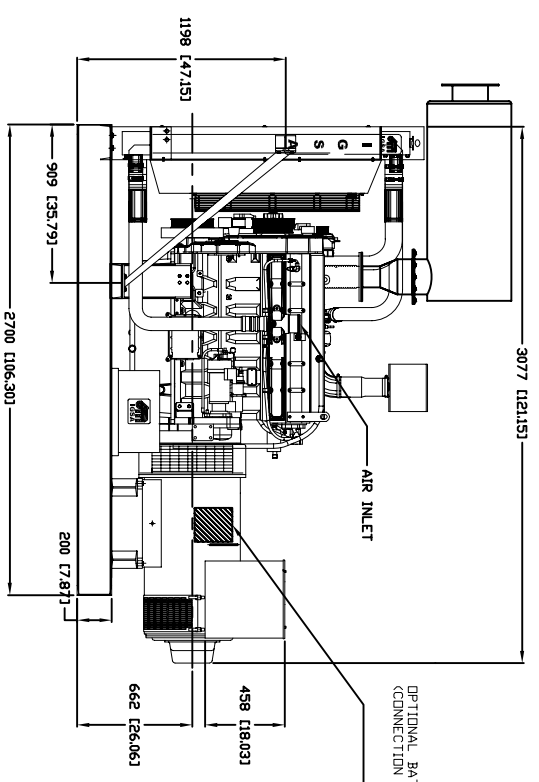
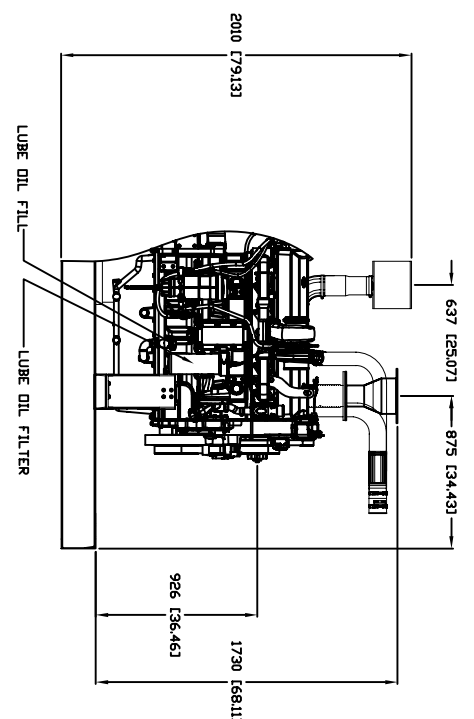
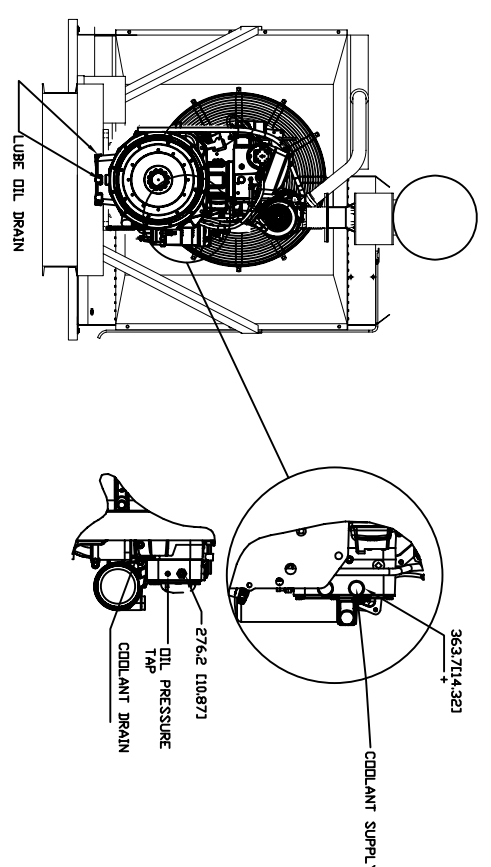
COPY NOT CONTROLLED

DISPLET DATE

MAQUINARIA TUSA S.A. DE C.V.
 GENERAL ADJUSTMENT GENSET400 ANV
 WITH CHASSIS

DATE: 18-05-11
 DRAWN: ALSS
 CHECK: KSA
 REVIEW: MSA
 APPROVED: REV. 01

SHEET 2 OF 3



| GENSET 400KW GENERAL FEATURES | | | |
|-------------------------------|------------|-----------------------------|----------------|
| CAPACITY | ENGINE | FUEL CONSUMPTION WITH LOAD | |
| 400 | JOHN DEERE | INLET AIR AND ENGINE POWER: | |
| KW | MODEL | DIESEL | at 75% at 100% |
| | 6125HF 070 | HORSEHP | 70.8 100.6 |
| | | | |
| | | | |

- NOTES
- 1- THE FOUNDATION AND GENERAL ARRANGE SUPPORTED BY MAQUINARIA TUSA WILL BE MADE TO BE MODIFIED IN THE ACCORD TO BE REQUIRED.
 - 2- THE FOUNDATION MUST BE PLACED AT LEAST ONE WEEK BEFORE TO INSTALL.
 - 3- THE BATTERY OR THE GENERATOR IS PROVIDED SEPARATELY IN THE STANDARD DIRECTION AND IT MUST BE ACCORDING TO THE NECESSITIES OF THE PREMISES.
 - 4- THE SIZE OF THE SUBSTITUTES OF "R" AND THE LENGTH "B" OR "R" FOR THE CAPACITY OF 400 KW THE SIZE OF THE FLUID FOR THE TUBE SUBSTITUTION OF "R".

NOTE: DIMENSIONS IN [] ARE INCH

| APPLICANT STANDARD | REVIEW |
|--------------------|--------|
| NORM | |
| | |
| | |
| | |
| | |

| DESCRIPTION | REVIEW NUMBER OF CHANGE | DATE | REVIEW |
|-------------------|-------------------------|------|--------|
| LIST OF REVISIONS | | | |
| | | | |
| | | | |
| | | | |

| MATERIAL | NA | NA | NA | FINISH | NA | NA |
|--|----------------|---------|--------------|----------|---------|----|
| STANDARD TOLERANCES OF NOT SPECIFY OTHER | | | | | | |
| MANUFACTURING TOLERANCE | | | | | | |
| RANGE | TOLERANCES | DECIMAL | LINEAR | DIAMETER | ANGULAR | |
| 0 MM - 201 MM | +0.10 MM | 0 | ± 0.25 | ± 1.00 | ± 1 | |
| 201 MM - 1.000 MM | +0.15 MM | 0 | ± 0.30 | ± 1.00 | ± 1 | |
| 1.000 MM - 3.000 MM | +0.20 MM | 0 | ± 0.40 | ± 1.00 | ± 1 | |
| 3.000 MM - 10.000 MM | +0.30 MM | 0 | ± 0.50 | ± 1.00 | ± 1 | |
| 10.000 MM - 30.000 MM | +0.40 MM | 0 | ± 0.60 | ± 1.00 | ± 1 | |
| 30.000 MM - 100.000 MM | +0.50 MM | 0 | ± 0.80 | ± 1.00 | ± 1 | |
| 100.000 MM - 300.000 MM | +0.60 MM | 0 | ± 1.00 | ± 1.00 | ± 1 | |
| 300.000 MM - 1000.000 MM | +0.80 MM | 0 | ± 1.50 | ± 1.00 | ± 1 | |
| 1000.000 MM - 3000.000 MM | +1.00 MM | 0 | ± 2.00 | ± 1.00 | ± 1 | |
| 3000.000 MM - 10000.000 MM | +1.50 MM | 0 | ± 3.00 | ± 1.00 | ± 1 | |
| 10000.000 MM - 30000.000 MM | +2.00 MM | 0 | ± 4.00 | ± 1.00 | ± 1 | |
| 30000.000 MM - 100000.000 MM | +3.00 MM | 0 | ± 6.00 | ± 1.00 | ± 1 | |
| 100000.000 MM - 300000.000 MM | +4.00 MM | 0 | ± 9.00 | ± 1.00 | ± 1 | |
| 300000.000 MM - 1000000.000 MM | +5.00 MM | 0 | ± 12.00 | ± 1.00 | ± 1 | |
| 1000000.000 MM - 3000000.000 MM | +6.00 MM | 0 | ± 15.00 | ± 1.00 | ± 1 | |
| 3000000.000 MM - 10000000.000 MM | +8.00 MM | 0 | ± 24.00 | ± 1.00 | ± 1 | |
| 10000000.000 MM - 30000000.000 MM | +10.00 MM | 0 | ± 30.00 | ± 1.00 | ± 1 | |
| 30000000.000 MM - 100000000.000 MM | +12.00 MM | 0 | ± 36.00 | ± 1.00 | ± 1 | |
| 100000000.000 MM - 300000000.000 MM | +15.00 MM | 0 | ± 45.00 | ± 1.00 | ± 1 | |
| 300000000.000 MM - 1000000000.000 MM | +20.00 MM | 0 | ± 60.00 | ± 1.00 | ± 1 | |
| 1000000000.000 MM - 3000000000.000 MM | +25.00 MM | 0 | ± 75.00 | ± 1.00 | ± 1 | |
| 3000000000.000 MM - 10000000000.000 MM | +30.00 MM | 0 | ± 90.00 | ± 1.00 | ± 1 | |
| 10000000000.000 MM - 30000000000.000 MM | +36.00 MM | 0 | ± 108.00 | ± 1.00 | ± 1 | |
| 30000000000.000 MM - 100000000000.000 MM | +45.00 MM | 0 | ± 135.00 | ± 1.00 | ± 1 | |
| 100000000000.000 MM - 300000000000.000 MM | +54.00 MM | 0 | ± 162.00 | ± 1.00 | ± 1 | |
| 300000000000.000 MM - 1000000000000.000 MM | +63.00 MM | 0 | ± 189.00 | ± 1.00 | ± 1 | |
| 1000000000000.000 MM - 3000000000000.000 MM | +75.00 MM | 0 | ± 225.00 | ± 1.00 | ± 1 | |
| 3000000000000.000 MM - 10000000000000.000 MM | +90.00 MM | 0 | ± 270.00 | ± 1.00 | ± 1 | |
| 10000000000000.000 MM - 30000000000000.000 MM | +108.00 MM | 0 | ± 324.00 | ± 1.00 | ± 1 | |
| 30000000000000.000 MM - 100000000000000.000 MM | +135.00 MM | 0 | ± 405.00 | ± 1.00 | ± 1 | |
| 100000000000000.000 MM - 300000000000000.000 MM | +162.00 MM | 0 | ± 486.00 | ± 1.00 | ± 1 | |
| 300000000000000.000 MM - 1000000000000000.000 MM | +198.00 MM | 0 | ± 594.00 | ± 1.00 | ± 1 | |
| 1000000000000000.000 MM - 3000000000000000.000 MM | +243.00 MM | 0 | ± 729.00 | ± 1.00 | ± 1 | |
| 3000000000000000.000 MM - 10000000000000000.000 MM | +297.00 MM | 0 | ± 891.00 | ± 1.00 | ± 1 | |
| 10000000000000000.000 MM - 30000000000000000.000 MM | +360.00 MM | 0 | ± 1080.00 | ± 1.00 | ± 1 | |
| 30000000000000000.000 MM - 100000000000000000.000 MM | +450.00 MM | 0 | ± 1350.00 | ± 1.00 | ± 1 | |
| 100000000000000000.000 MM - 300000000000000000.000 MM | +540.00 MM | 0 | ± 1620.00 | ± 1.00 | ± 1 | |
| 300000000000000000.000 MM - 1000000000000000000.000 MM | +675.00 MM | 0 | ± 2025.00 | ± 1.00 | ± 1 | |
| 1000000000000000000.000 MM - 3000000000000000000.000 MM | +810.00 MM | 0 | ± 2430.00 | ± 1.00 | ± 1 | |
| 3000000000000000000.000 MM - 10000000000000000000.000 MM | +990.00 MM | 0 | ± 2970.00 | ± 1.00 | ± 1 | |
| 10000000000000000000.000 MM - 30000000000000000000.000 MM | +1188.00 MM | 0 | ± 3564.00 | ± 1.00 | ± 1 | |
| 30000000000000000000.000 MM - 100000000000000000000.000 MM | +1422.00 MM | 0 | ± 4266.00 | ± 1.00 | ± 1 | |
| 100000000000000000000.000 MM - 300000000000000000000.000 MM | +1702.50 MM | 0 | ± 5107.50 | ± 1.00 | ± 1 | |
| 300000000000000000000.000 MM - 1000000000000000000000.000 MM | +2043.00 MM | 0 | ± 6129.00 | ± 1.00 | ± 1 | |
| 1000000000000000000000.000 MM - 3000000000000000000000.000 MM | +2451.00 MM | 0 | ± 7353.00 | ± 1.00 | ± 1 | |
| 3000000000000000000000.000 MM - 10000000000000000000000.000 MM | +2941.50 MM | 0 | ± 8824.50 | ± 1.00 | ± 1 | |
| 10000000000000000000000.000 MM - 30000000000000000000000.000 MM | +3530.00 MM | 0 | ± 10590.00 | ± 1.00 | ± 1 | |
| 30000000000000000000000.000 MM - 100000000000000000000000.000 MM | +4236.00 MM | 0 | ± 12704.00 | ± 1.00 | ± 1 | |
| 100000000000000000000000.000 MM - 300000000000000000000000.000 MM | +5083.50 MM | 0 | ± 15244.50 | ± 1.00 | ± 1 | |
| 300000000000000000000000.000 MM - 1000000000000000000000000.000 MM | +6099.00 MM | 0 | ± 18237.00 | ± 1.00 | ± 1 | |
| 1000000000000000000000000.000 MM - 3000000000000000000000000.000 MM | +7318.50 MM | 0 | ± 22270.50 | ± 1.00 | ± 1 | |
| 3000000000000000000000000.000 MM - 10000000000000000000000000.000 MM | +8782.00 MM | 0 | ± 26466.00 | ± 1.00 | ± 1 | |
| 10000000000000000000000000.000 MM - 30000000000000000000000000.000 MM | +10518.00 MM | 0 | ± 31554.00 | ± 1.00 | ± 1 | |
| 30000000000000000000000000.000 MM - 100000000000000000000000000.000 MM | +12621.00 MM | 0 | ± 37902.00 | ± 1.00 | ± 1 | |
| 100000000000000000000000000.000 MM - 300000000000000000000000000.000 MM | +15184.50 MM | 0 | ± 45421.50 | ± 1.00 | ± 1 | |
| 300000000000000000000000000.000 MM - 1000000000000000000000000000.000 MM | +18221.00 MM | 0 | ± 54531.00 | ± 1.00 | ± 1 | |
| 1000000000000000000000000000.000 MM - 3000000000000000000000000000.000 MM | +21865.50 MM | 0 | ± 65618.25 | ± 1.00 | ± 1 | |
| 3000000000000000000000000000.000 MM - 10000000000000000000000000000.000 MM | +26238.00 MM | 0 | ± 79182.00 | ± 1.00 | ± 1 | |
| 10000000000000000000000000000.000 MM - 30000000000000000000000000000.000 MM | +31485.00 MM | 0 | ± 94357.50 | ± 1.00 | ± 1 | |
| 30000000000000000000000000000.000 MM - 100000000000000000000000000000.000 MM | +37860.00 MM | 0 | ± 110640.00 | ± 1.00 | ± 1 | |
| 100000000000000000000000000000.000 MM - 300000000000000000000000000000.000 MM | +45690.00 MM | 0 | ± 134070.00 | ± 1.00 | ± 1 | |
| 300000000000000000000000000000.000 MM - 1000000000000000000000000000000.000 MM | +55227.00 MM | 0 | ± 161181.00 | ± 1.00 | ± 1 | |
| 1000000000000000000000000000000.000 MM - 3000000000000000000000000000000.000 MM | +66702.00 MM | 0 | ± 196056.00 | ± 1.00 | ± 1 | |
| 3000000000000000000000000000000.000 MM - 10000000000000000000000000000000.000 MM | +80442.00 MM | 0 | ± 236142.00 | ± 1.00 | ± 1 | |
| 10000000000000000000000000000000.000 MM - 30000000000000000000000000000000.000 MM | +96770.00 MM | 0 | ± 282105.00 | ± 1.00 | ± 1 | |
| 30000000000000000000000000000000.000 MM - 100000000000000000000000000000000.000 MM | +116124.00 MM | 0 | ± 336306.00 | ± 1.00 | ± 1 | |
| 100000000000000000000000000000000.000 MM - 300000000000000000000000000000000.000 MM | +139353.00 MM | 0 | ± 402459.00 | ± 1.00 | ± 1 | |
| 300000000000000000000000000000000.000 MM - 1000000000000000000000000000000000.000 MM | +167103.00 MM | 0 | ± 480909.00 | ± 1.00 | ± 1 | |
| 1000000000000000000000000000000000.000 MM - 3000000000000000000000000000000000.000 MM | +200319.00 MM | 0 | ± 576798.00 | ± 1.00 | ± 1 | |
| 3000000000000000000000000000000000.000 MM - 10000000000000000000000000000000000.000 MM | +239782.00 MM | 0 | ± 683454.00 | ± 1.00 | ± 1 | |
| 10000000000000000000000000000000000.000 MM - 30000000000000000000000000000000000.000 MM | +287421.00 MM | 0 | ± 811893.00 | ± 1.00 | ± 1 | |
| 30000000000000000000000000000000000.000 MM - 100000000000000000000000000000000000.000 MM | +344307.00 MM | 0 | ± 964269.00 | ± 1.00 | ± 1 | |
| 100000000000000000000000000000000000.000 MM - 300000000000000000000000000000000000.000 MM | +411628.00 MM | 0 | ± 1114926.00 | ± 1.00 | ± 1 | |
| 300000000000000000000000000000000000.000 MM - 1000000000000000000000000000000000000.000 MM | +490653.00 MM | 0 | ± 1333632.00 | ± 1.00 | ± 1 | |
| 1000000000000000000000000000000000000.000 MM - 3000000000000000000000000000000000000.000 MM | +582743.00 MM | 0 | ± 1568179.00 | ± 1.00 | ± 1 | |
| 3000000000000000000000000000000000000.000 MM - 10000000000000000000000000000000000000.000 MM | +699459.00 MM | 0 | ± 1838697.00 | ± 1.00 | ± 1 | |
| 10000000000000000000000000000000000000.000 MM - 30000000000000000000000000000000000000.000 MM | +843390.00 MM | 0 | ± 2144130.00 | ± 1.00 | ± 1 | |
| 30000000000000000000000000000000000000.000 MM - 100000000000000000000000000000000000000.000 MM | +1018326.00 MM | 0 | ± 2501994.00 | ± 1.00 | ± 1 | |
| 100000000000000000000000000000000000000.000 MM - 300000000000000000000000000000000000000.000 MM | +1228111.00 MM | 0 | ± 2913734.00 | ± 1.00 | ± 1 | |
| 300000000000000000000000000000000000000.000 MM - 1000000000000000000000000000000000000000.000 MM | +1477536.00 MM | 0 | ± 3376881.00 | ± 1.00 | ± 1 | |
| 1000000000000000000000000000000000000000.000 MM - 3000000000000000000000000000000000000000.000 MM | +1773589.00 MM | 0 | ± 3908267.00 | ± 1.00 | ± 1 | |
| 3000000000000000000000000000000000000000.000 MM - 100.000 MM | +2124306.00 MM | 0 | ± 4491906.00 | ± 1.00 | ± 1 | |
| 100.000 MM - 3 | | | | | | |