

INSTALLATION NOTES

GENERAL DIMENSIONS SUGGESTED BY MAQUINARIA ISGA, CAN BE MODIFIED IN FIELD ACCORDING TO INSTALLATION.

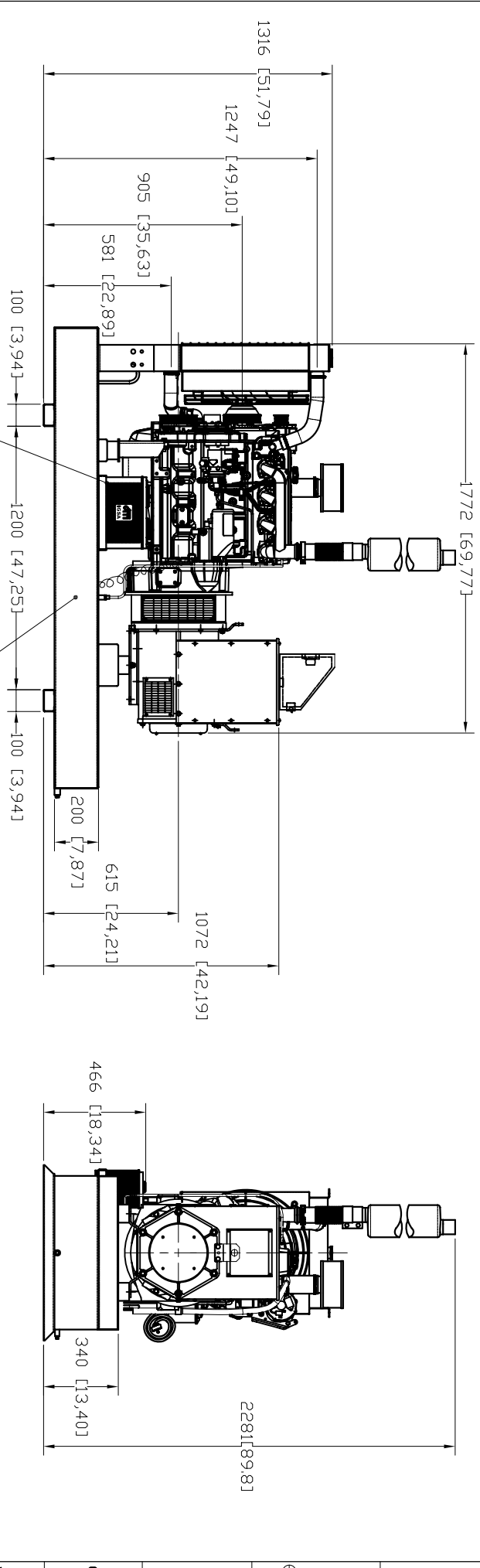
POWER GENERATOR'S SILENCER IS PROVIDED SEPARATELY, ITS LOCATION AND DIRECTION CAN BE ADJUSTED IN SITE ACCORDING TO THE NEEDS OF INSTALLATION.

DIAMETER OF SILENCER BODY IS 6" AND LENGTH IS 28".

DIAMETER OF FLEXIBLE TUBE FOR SILENCER IS 2 3/4".

PREHEATER IS PROVIDED OF ORIGIN, INTEGRATED TO MONOBLOCK (IS NOT OF BOAT).

USE THE ANCHOR HOLES TO HOLD THE GENSET



2281[89,81]

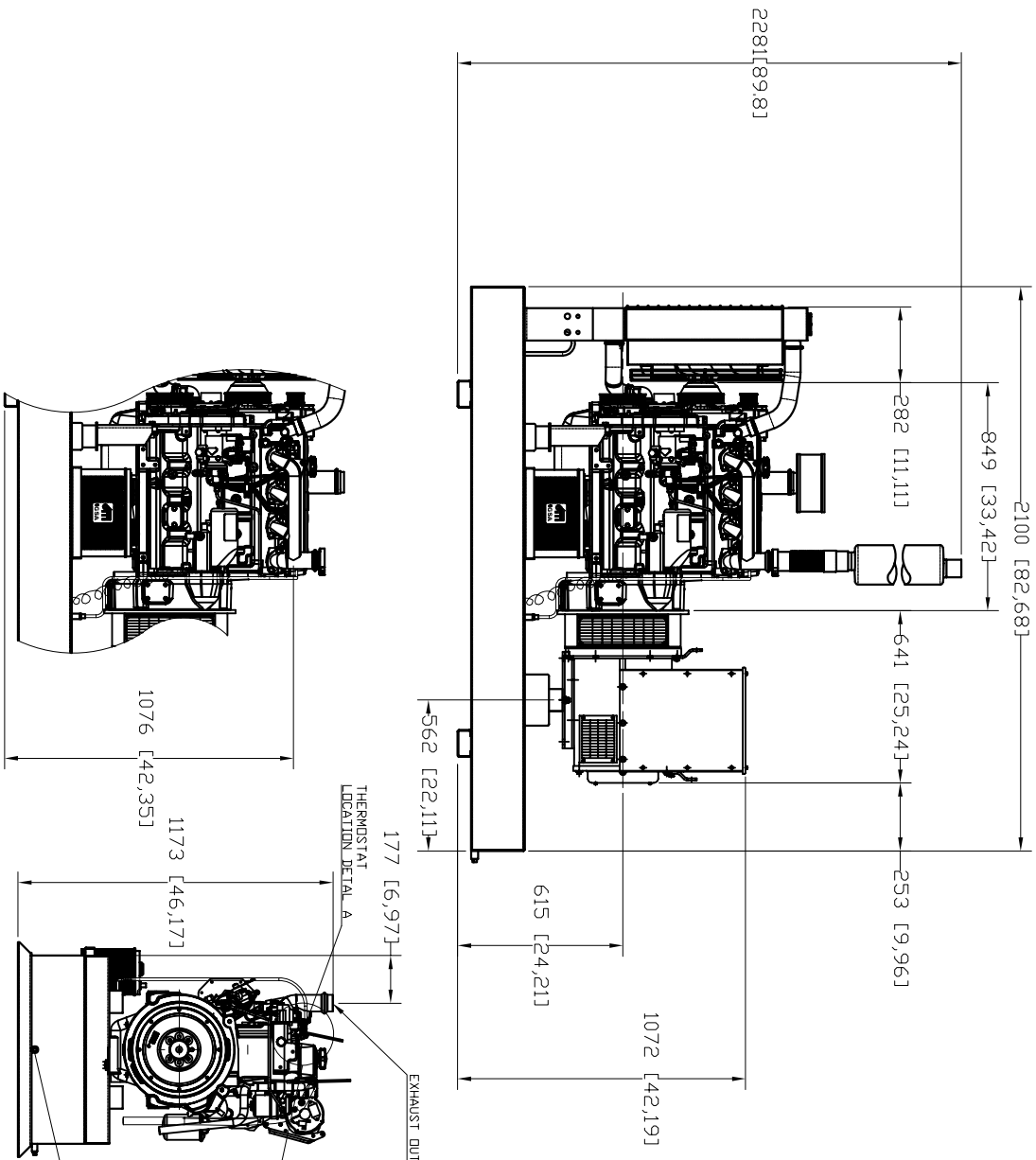
NOTE: DIMENSIONS IN [] ARE INCH

APPLICATE STANDARD	REVIEW
NUM	REVIEW

DESCRIPTION	REVIEW	NUMBER OF CHANGE	DATE	REVIEW
LIST OF REVISIONS				

40 KW	60Hz/AC	CODING
60Hz/AC	50/60	SERIES 3D
TER 1		

MATERIAL	NA	PART NUMBER/WEIGHT (kg)	NA	FINISH	NA	NOT FINISH	NA
STANDARD TOLERANCES OF NOT SPECIFY OTHER							
MANUFACTURING NOT TOLERANCE							
RANGE	TOLERANCES	DECIMAL	MANUFACTURING TOLERANCE	DIAMETER	ANGULAR	NO. OF	DIM.
0 mm - 200 mm	± 0.1 mm	0	LINEAR	± 0.10	°	± 0.1	
200 mm - 500 mm	± 0.15 mm	0	± 0.15	± 0.10			
500 mm - 1000 mm	± 0.2 mm	0	± 0.20	± 0.10			
			± 0.25	± 0.10			
			± 0.30	± 0.10			
			± 0.35	± 0.10			
			± 0.40	± 0.10			
			± 0.45	± 0.10			
			± 0.50	± 0.10			
			± 0.55	± 0.10			
			± 0.60	± 0.10			
			± 0.65	± 0.10			
			± 0.70	± 0.10			
			± 0.75	± 0.10			
			± 0.80	± 0.10			
			± 0.85	± 0.10			
			± 0.90	± 0.10			
			± 0.95	± 0.10			
			± 1.00	± 0.10			
			± 1.05	± 0.10			
			± 1.10	± 0.10			
			± 1.15	± 0.10			
			± 1.20	± 0.10			
			± 1.25	± 0.10			
			± 1.30	± 0.10			
			± 1.35	± 0.10			
			± 1.40	± 0.10			
			± 1.45	± 0.10			
			± 1.50	± 0.10			
			± 1.55	± 0.10			
			± 1.60	± 0.10			
			± 1.65	± 0.10			
			± 1.70	± 0.10			
			± 1.75	± 0.10			
			± 1.80	± 0.10			
			± 1.85	± 0.10			
			± 1.90	± 0.10			
			± 1.95	± 0.10			
			± 2.00	± 0.10			
			± 2.05	± 0.10			
			± 2.10	± 0.10			
			± 2.15	± 0.10			
			± 2.20	± 0.10			
			± 2.25	± 0.10			
			± 2.30	± 0.10			
			± 2.35	± 0.10			
			± 2.40	± 0.10			
			± 2.45	± 0.10			
			± 2.50	± 0.10			
			± 2.55	± 0.10			
			± 2.60	± 0.10			
			± 2.65	± 0.10			
			± 2.70	± 0.10			
			± 2.75	± 0.10			
			± 2.80	± 0.10			
			± 2.85	± 0.10			
			± 2.90	± 0.10			
			± 2.95	± 0.10			
			± 3.00	± 0.10			
			± 3.05	± 0.10			
			± 3.10	± 0.10			
			± 3.15	± 0.10			
			± 3.20	± 0.10			
			± 3.25	± 0.10			
			± 3.30	± 0.10			
			± 3.35	± 0.10			
			± 3.40	± 0.10			
			± 3.45	± 0.10			
			± 3.50	± 0.10			
			± 3.55	± 0.10			
			± 3.60	± 0.10			
			± 3.65	± 0.10			
			± 3.70	± 0.10			
			± 3.75	± 0.10			
			± 3.80	± 0.10			
			± 3.85	± 0.10			
			± 3.90	± 0.10			
			± 3.95	± 0.10			
			± 4.00	± 0.10			
			± 4.05	± 0.10			
			± 4.10	± 0.10			
			± 4.15	± 0.10			
			± 4.20	± 0.10			
			± 4.25	± 0.10			
			± 4.30	± 0.10			
			± 4.35	± 0.10			
			± 4.40	± 0.10			
			± 4.45	± 0.10			
			± 4.50	± 0.10			
			± 4.55	± 0.10			
			± 4.60	± 0.10			
			± 4.65	± 0.10			
			± 4.70	± 0.10			
			± 4.75	± 0.10			
			± 4.80	± 0.10			
			± 4.85	± 0.10			
			± 4.90	± 0.10			
			± 4.95	± 0.10			
			± 5.00	± 0.10			
			± 5.05	± 0.10			
			± 5.10	± 0.10			
			± 5.15	± 0.10			
			± 5.20	± 0.10			
			± 5.25	± 0.10			
			± 5.30	± 0.10			
			± 5.35	± 0.10			
			± 5.40	± 0.10			
			± 5.45	± 0.10			
			± 5.50	± 0.10			
			± 5.55	± 0.10			
			± 5.60	± 0.10			
			± 5.65	± 0.10			
			± 5.70	± 0.10			
			± 5.75	± 0.10			
			± 5.80	± 0.10			
			± 5.85	± 0.10			
			± 5.90	± 0.10			
			± 5.95	± 0.10			
			± 6.00	± 0.10			
			± 6.05	± 0.10			
			± 6.10	± 0.10			
			± 6.15	± 0.10			
			± 6.20	± 0.10			
			± 6.25	± 0.10			
			± 6.30	± 0.10			
			± 6.35	± 0.10			
			± 6.40	± 0.10			
			± 6.45	± 0.10			
			± 6.50	± 0.10			
			± 6.55	± 0.10			
			± 6.60	± 0.10			
			± 6.65	± 0.10			
			± 6.70	± 0.10			
			± 6.75	± 0.10			
			± 6.80	± 0.10			
			± 6.85	± 0.10			
			± 6.90	± 0.10			
			± 6.95	± 0.10			
			± 7.00	± 0.10			
			± 7.05	± 0.10			
			± 7.10	± 0.10			
			± 7.15	± 0.10			
			± 7.20	± 0.10			
			± 7.25	± 0.10			
			± 7.30	± 0.10			
			± 7.35	± 0.10			
			± 7.40	± 0.10			
			± 7.45	± 0.10			
			± 7.50	± 0.10			
			± 7.55	± 0.10			
			± 7.60	± 0.10			
			± 7.65	± 0.10			
			± 7.70	± 0.10			
			± 7.75	± 0.10			
			± 7.80	± 0.10			
			± 7.85	± 0.10			
			± 7.90	± 0.10			
			± 7.95	± 0.10			
			± 8.00	± 0.10			
			± 8.05	± 0.10			
			± 8.10	± 0.10			
			± 8.15	± 0.10			
			± 8.20	± 0.10			
			± 8.25	± 0.10			
			± 8.30	± 0.10			
			± 8.35	± 0.10			
			± 8.40	± 0.10			
			± 8.45	± 0.10			
			± 8.50	± 0.10			
			± 8.55	± 0.10			
			± 8.60	± 0.10			
			± 8.65	± 0.10			
			± 8.70	± 0.10			
			± 8.75	± 0.10			
			± 8.80	± 0.10			
			± 8.85	± 0.10			
			± 8.90	± 0.10			
			± 8.95	± 0.10			
			± 9.00	± 0.10			



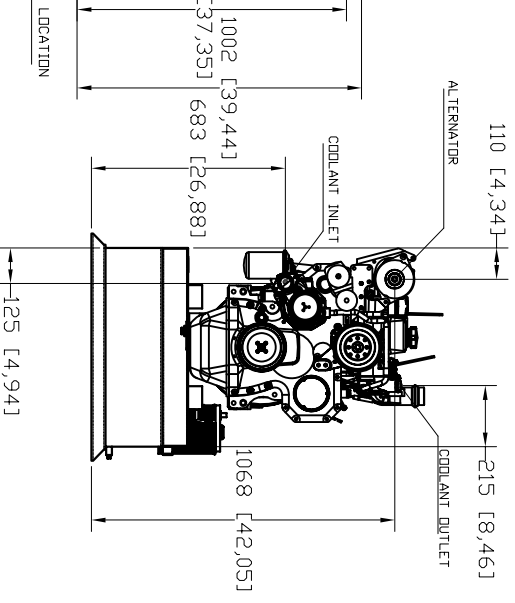
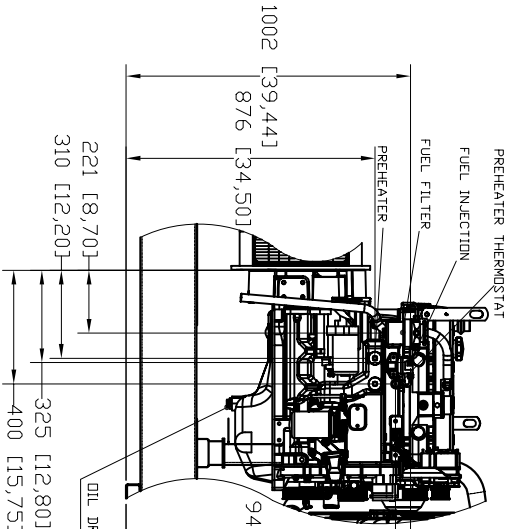
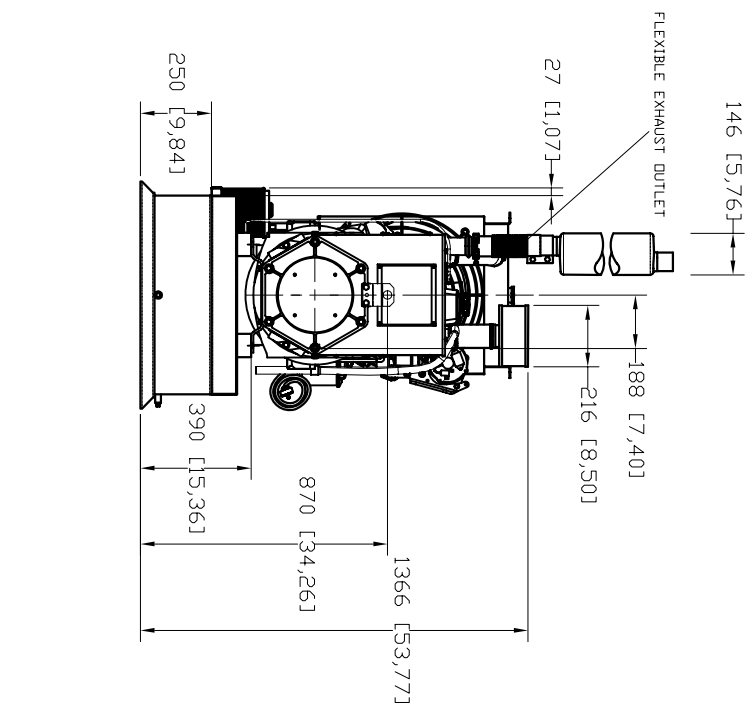
NOTE: DIMENSIONS IN [] ARE INCH

40 kW AC CODING
60Hz/50 SERIES 3D
TIER 1

DESCRIPTION	REVIEW NUMBER OF CHANGE	DATE	REVIEW
LIST OF REVISIONS			

MATERIAL	NA	PART NUMBER/WEIGHT (kg)	FINISH	NOT FINISH	OTHER
STANDARD TOLERANCES OF NOT SPECIFY OTHER					
MANUFACTURING NOT TOLERANCE					
RANGE	TOLERANCES	DECIMAL	MANUFACTURING TOLERANCE	DIAMETER	ANGULAR
0 mm - 200 mm	± 0.10 mm	0	± 0.10	± 0.10	± 0.10
200 mm - 500 mm	± 0.15 mm	0	± 0.15	± 0.15	± 0.15
500 mm - 1000 mm	± 0.20 mm	0	± 0.20	± 0.20	± 0.20
FRACTION					
THE INFORMATION CONTAINED IN THESE DOCUMENT IS PROPERTY EXCLUSIVE OF MAQUINARIA IGSA THEREFORE THE TOTAL OR PARTIAL REPRODUCTION WITHOUT NOT CONSENT CANNOT BE MADE. WRITING BE USED OF MAQUINARIA IGSA S.A DE C.					
DATE: 05-20-21					
DRAWN: TUSA					
CHECKED: KZA					
REVIEW: KZA					
APPROVED: KZA					
SHEET: 2 OF 3					
PROJECT: GSJ100040S					
DATE: 05-20-21					

GENSET 40KW GENERAL FEATURES WITH INTEGRATED TANK										
CAPACITY KW	MODEL	ALTERNATOR	WEIGHT WITH/OUT	FUEL CONSUMPTION WITH/LOAD						
	JOHN DEERE ENGINE <td>STAMFORD MODEL <td>WH/OUT <td>Lts / hr. AND</td> <td>ENGINE POWER :</td> </td></td>	STAMFORD MODEL <td>WH/OUT <td>Lts / hr. AND</td> <td>ENGINE POWER :</td> </td>	WH/OUT <td>Lts / hr. AND</td> <td>ENGINE POWER :</td>	Lts / hr. AND	ENGINE POWER :					
40	40A5D F150	UC1224C	850	75%	100%					
				9.1	11.7					



NOTE: DIMENSIONS IN [] ARE INCH

DESCRIPTION	REVIEW	NUMBER OF CHANGE	DATE	REVIEW
LIST OF REVISIONS				

40 KW
60HZ/AC COILING
TENS 1
SERIES JD

MATERIAL	PART NUMBER/WEIGHT (kg)	FINISH	NOT FINISH	OTHER
NA	NA	NA	NA	

STANDARD TOLERANCES OF NOT SPECIFY OTHER	MANUFACTURING TOLERANCE	ANGULAR	TITLE
RANGE	DECIMAL	NO. DIM	GENERAL ADJUSTMENT GENSET 40KW WITH INTEGRATED TANK
0.00 - 200.00	± 0.10	8	
200.00 - 500.00	± 0.15	10	
500.00 - 1000.00	± 0.20	12	
1000.00 - 2000.00	± 0.30	15	
2000.00 - 5000.00	± 0.40	20	
5000.00 - 10000.00	± 0.50	25	
10000.00 - 20000.00	± 0.60	30	
20000.00 - 50000.00	± 0.80	40	
50000.00 - 100000.00	± 1.00	50	

THE INFORMATION CONTAINED IN THESE DOCUMENT IS PROPERTY EXCLUSIVE OF MAQUINARIA ISGA S.A. DE C.V. THEREFORE, THE TOTAL OR PARTIAL REPRODUCTION WITHOUT NOT CONSENT CANNOT BE USED BY MAQUINARIA ISGA S.A. DE C.V.