

- NOTES**
1. THE FOUNDATIONS AND GENERAL DIMENSIONS INDICATED BY MAQUINARIA TUSA, WILL BE MADE TO BE INCORPORATED ACCORDING TO REQUIREMENTS.
 2. THE FOUNDATIONS MUST BE FINISHED AT LEAST ONE WEEK BEFORE TO INSTALL THE GENERATOR.
 3. THE DIMENSIONS OF THE GENERATOR INDICATED IN THIS DOCUMENT AND THE DIMENSIONS OF THE FOUNDATION MUST BE ACCORDING TO THE DIMENSIONS OF THE FOUNDATION.
 4. THE DIAMETER OF THE SILencers IS OF 80' AND THE LENGTH IS OF 80'.
 5. FOR THE CAPACITY OF 500 KW THE DIAMETER OF THE FLEXIBLE FOR THE TUBE SILencers IS OF 80'.

NOTE: DIMENSIONS IN [] ARE INCH

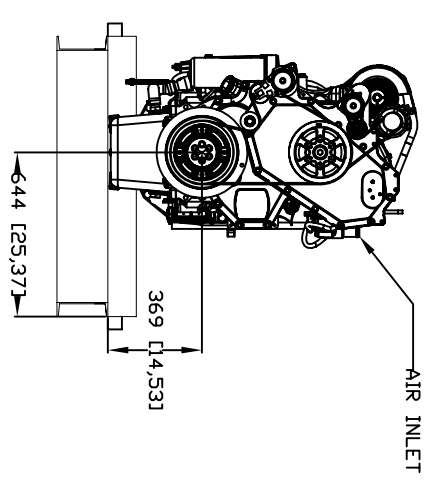
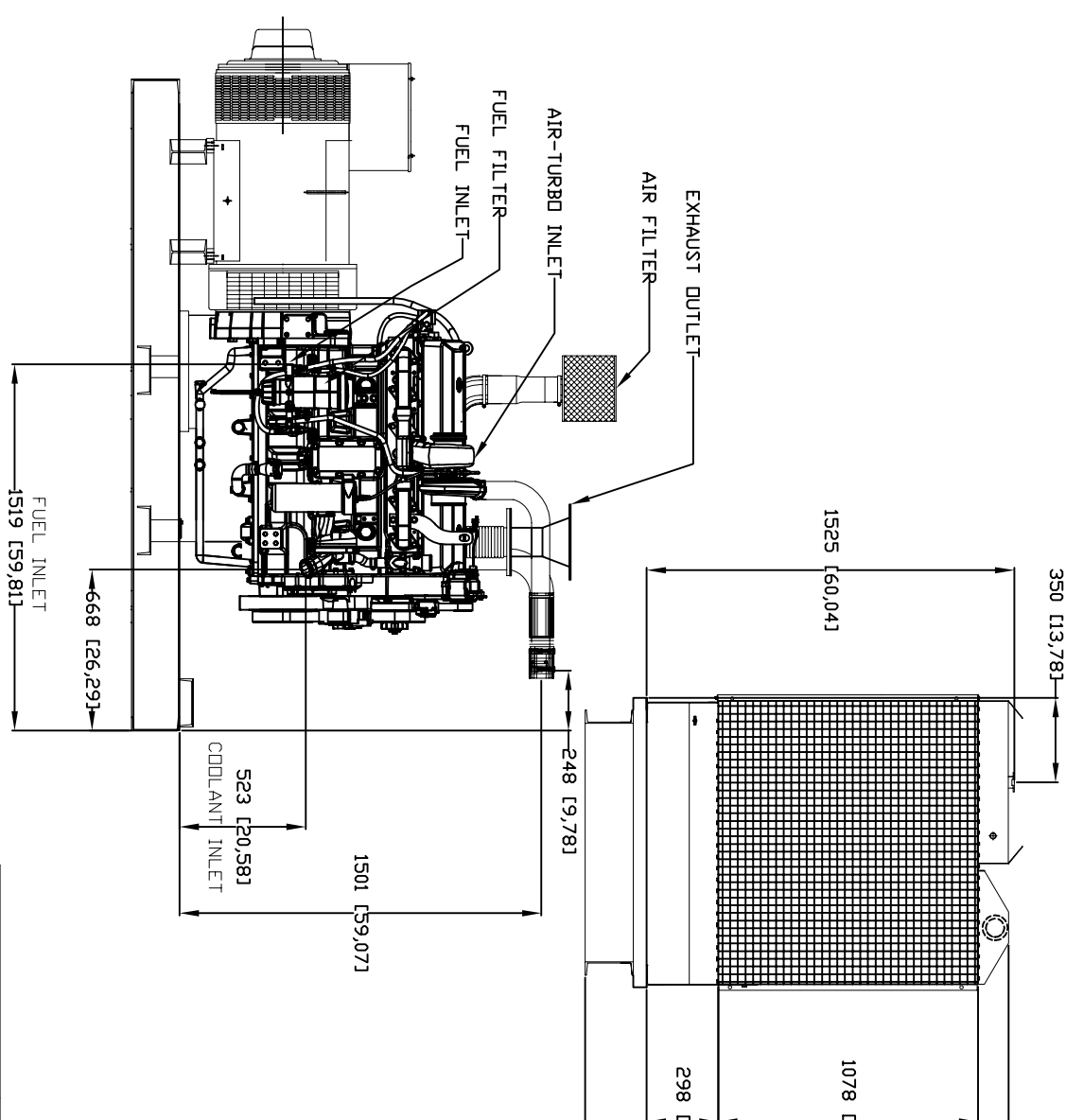
| | |
|---------------------|--------|
| APPLICABLE STANDARD | |
| NDRM | REVIEW |
| | |
| | |
| | |
| | |

| | | | | |
|-------------------|--------|------------------|------|--------|
| DESCRIPTION | REVIEW | NUMBER OF CHANGE | DATE | REVIEW |
| LIST OF REVISIONS | | | | |

| | | | | | | | |
|---|------------|-------------------------|--------|----------|------------|------------|----|
| MATERIAL | NA | PART NUMBER/WEIGHT (KG) | NA | FINISH | NA | NOT FINISH | NA |
| STANDARD TOLERANCES OF NOT SPECIFY OTHER | | | | | | | |
| MANUFACTURING NOT TOLERANCE | | MANUFACTURING TOLERANCE | | ANGULAR | | | |
| RANGE | TOLERANCES | DECIMAL | LINEAR | DIAMETER | PER DEGREE | DI | DI |
| 0.1 mm - 200 mm | ± 0.1 mm | 0 | ± 0.15 | ± 0.1 | ± 1 | | |
| 200 mm - 5 m | ± 0.3 mm | 0 | ± 0.30 | ± 0.1 | ± 1 | | |
| 5 m - 12 m | ± 1.0 mm | 0 | ± 0.90 | ± 0.1 | ± 1 | | |
| 12 m - 100 m | ± 1.0 mm | 0 | ± 0.90 | ± 0.1 | ± 1 | | |
| THE INFORMATION CONTAINED IN THESE DOCUMENT IS PROPERTY EXCLUSIVE OF MAQUINARIA TUSA. THEREFORE, THE TOTAL OR PARTIAL REPRODUCTION WITHOUT NOT CONSENT CANNOT BE WRITING BE USED BY MAQUINARIA TUSA S.A DE C. | | | | | | | |

MAQUINARIA TUSA S.A DE C.V.
 DE DISEÑO Y FABRICACIÓN EN MÉXICO. NO SE ACEPTA RESPONSABILIDAD POR DAÑOS O PERJUICIOS DE NINGUNA NATURALEZA, DIRECTOS O INDIRECTOS, QUE SE DERIVEN DE LA UTILIZACIÓN DE LOS PRODUCTOS DE MAQUINARIA TUSA S.A DE C.V. EN CUALQUIER SITUACIÓN.
 GENERAL ADJUSTMENT GENSET BANSW WITH CHAINS

DATE: 08-09-07
 DRAWN: JLS
 CHECKED: JLS
 APPROVED: JLS
 SCALE: 1:1
 SHEET: 1 OF 3



NOTE: DIMENSIONS IN [] ARE INCH

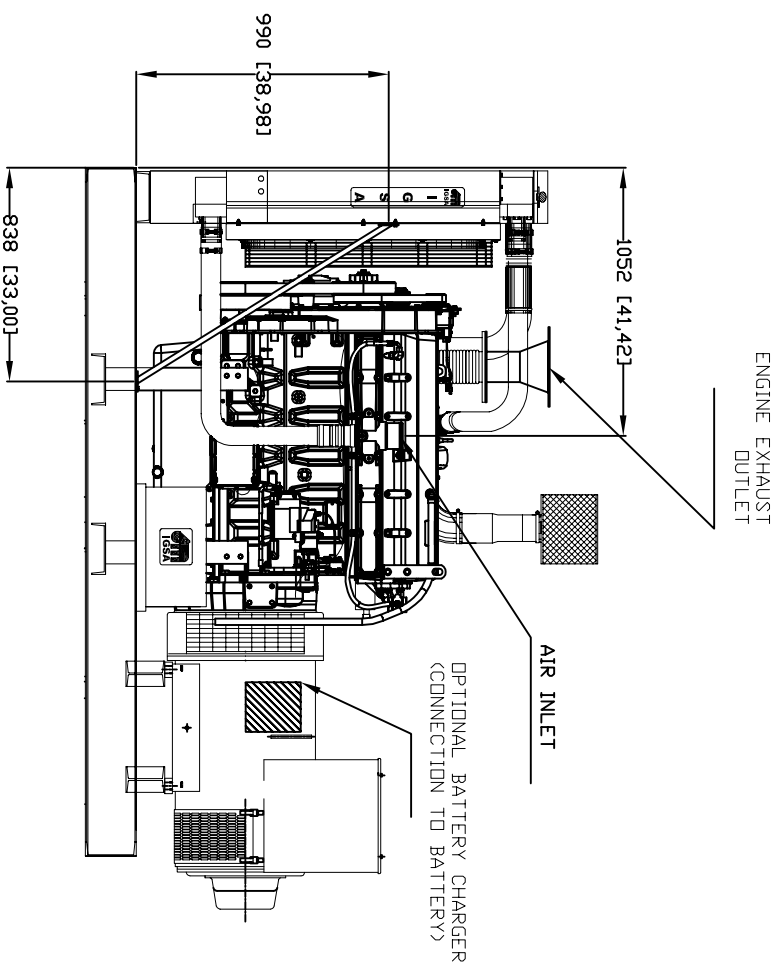
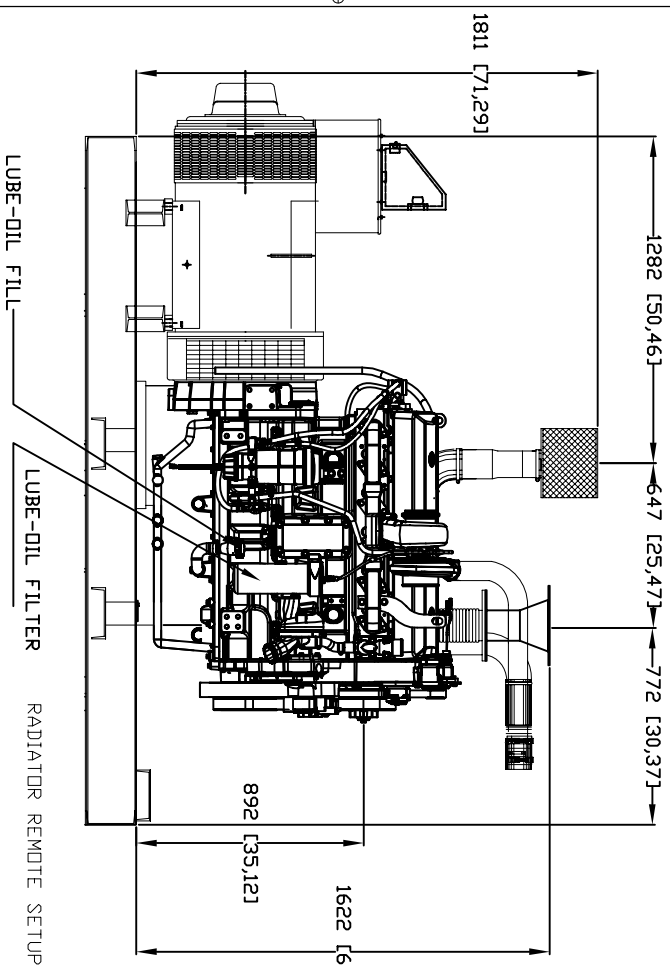
| | |
|--------------------|--------|
| APPLICATE STANDARD | REVIEW |
| NORM | |
| | |
| | |
| | |

| | | | |
|-------------------|--------------------------|------|--------|
| DESCRIPTION | REVIEW, NUMBER OF CHANGE | DATE | REVIEW |
| LIST OF REVISIONS | | | |

| | | | | | | | |
|---|-------|-------------------------|-------|-------------------------|-------|------------|-------|
| MATERIAL | NA | PART NUMBER/WEIGHT (Kg) | NA | FINISH | NA | NOT FINISH | NA |
| STANDARD TOLERANCES OF NOT SPECIFY OTHER | | | | | | | |
| MANUFACTURING NOT TOLERANCE RANGE | | TOLERANCES | | MANUFACTURING TOLERANCE | | ANGULAR | |
| mm | mm | mm | mm | mm | mm | mm | mm |
| ±0.1 | ±0.1 | ±0.1 | ±0.1 | ±0.1 | ±0.1 | ±0.1 | ±0.1 |
| ±0.05 | ±0.05 | ±0.05 | ±0.05 | ±0.05 | ±0.05 | ±0.05 | ±0.05 |
| ±0.02 | ±0.02 | ±0.02 | ±0.02 | ±0.02 | ±0.02 | ±0.02 | ±0.02 |
| ±0.01 | ±0.01 | ±0.01 | ±0.01 | ±0.01 | ±0.01 | ±0.01 | ±0.01 |
| THE INFORMATION CONTAINED IN THESE DOCUMENT IS PROPERTY EXCLUSIVE OF MAQUINARIA TISA | | | | | | | |
| HEREFORE, THE TOTAL OR PARTIAL REPRODUCTION WITHOUT NOT CONSENT CANNOT WRITING BE USED BY MAQUINARIA TISA S.A DE C. | | | | | | | |

| | |
|---|---|
| MAQUINARIA TISA S.A DE C.V. | GENERAL ADJUSTMENT CENTER MEXICO |
| CONCEPTO DE MAQUINARIA TISA S.A DE C.V. | CONCEPTO DE MAQUINARIA TISA S.A DE C.V. |
| GENERAL ADJUSTMENT CENTER MEXICO | GENERAL ADJUSTMENT CENTER MEXICO |
| WITH CHAINS | WITH CHAINS |
| DATE: 08-04-07 | REVISION: 1 |
| DESIGN: J.L.S. | REVISION: 2 |
| PROJ: GSJJD20300S | REVISION: 3 |
| SCALE: 1:1 | REVISION: 4 |
| INSTRUMENT: 2 OF 3 | REVISION: 5 |

| GENSET 300kW GENERAL FEATURES WITH CHASSIS | | | | | |
|--|--------------|------------------|-----------------------|---|---------|
| CAPACITY KW | ENGINE MODEL | ALTERNATOR MODEL | WEIGHT WITHOUT DIESEL | FUEL CONSUMPTION WITH LOAD IN LITS./HR. AND ENGINE POWER: | |
| 300 | 6125HF070 | HQ434D | 2742 | at 75% | at 100% |
| | | | | 55.9 | 79.4 |



| | |
|---------------------|--------|
| APPLICABLE STANDARD | REVIEW |
| NORM | |
| | |
| | |
| | |

NOTE: DIMENSIONS IN [] ARE INCH

| DESCRIPTION | REVIEW | NUMBER OF CHANGE | DATE | REVIEW |
|-------------------|--------|------------------|------|--------|
| LIST OF REVISIONS | | | | |

FD-GI-01-02 REV.01

COPY CONTROLLED

COPY NOT CONTROLLED

DATE

| MATERIAL | PART NUMBER/WEIGHT (KG) | FINISH | NOT FINISH | COMMENTS |
|--|-------------------------|--------|------------|----------|
| NA | NA | NA | NA | |
| STANDARD TOLERANCES OF NOT SPECIFY OTHER MANUFACTURING NOT TOLERANCE RANGE TOLERANCES DECIMAL MANUFACTURING TOLERANCE LINEAR DIAMETER ANGLE ± 0.10 mm ± 0.05 mm ± 0.10 mm ± 1° ± 0.15 mm ± 0.07 mm ± 0.15 mm ± 1° ± 0.20 mm ± 0.10 mm ± 0.20 mm ± 1° ± 0.30 mm ± 0.15 mm ± 0.30 mm ± 1° ± 0.40 mm ± 0.20 mm ± 0.40 mm ± 1° ± 0.50 mm ± 0.25 mm ± 0.50 mm ± 1° ± 0.60 mm ± 0.30 mm ± 0.60 mm ± 1° ± 0.70 mm ± 0.35 mm ± 0.70 mm ± 1° ± 0.80 mm ± 0.40 mm ± 0.80 mm ± 1° ± 0.90 mm ± 0.45 mm ± 0.90 mm ± 1° ± 1.00 mm ± 0.50 mm ± 1.00 mm ± 1° ± 1.20 mm ± 0.60 mm ± 1.20 mm ± 1° ± 1.50 mm ± 0.75 mm ± 1.50 mm ± 1° ± 2.00 mm ± 1.00 mm ± 2.00 mm ± 1° ± 2.50 mm ± 1.25 mm ± 2.50 mm ± 1° ± 3.00 mm ± 1.50 mm ± 3.00 mm ± 1° ± 4.00 mm ± 2.00 mm ± 4.00 mm ± 1° ± 5.00 mm ± 2.50 mm ± 5.00 mm ± 1° ± 6.00 mm ± 3.00 mm ± 6.00 mm ± 1° ± 8.00 mm ± 4.00 mm ± 8.00 mm ± 1° ± 10.00 mm ± 5.00 mm ± 10.00 mm ± 1° ± 12.00 mm ± 6.00 mm ± 12.00 mm ± 1° ± 15.00 mm ± 7.50 mm ± 15.00 mm ± 1° ± 20.00 mm ± 10.00 mm ± 20.00 mm ± 1° ± 25.00 mm ± 12.50 mm ± 25.00 mm ± 1° ± 30.00 mm ± 15.00 mm ± 30.00 mm ± 1° ± 40.00 mm ± 20.00 mm ± 40.00 mm ± 1° ± 50.00 mm ± 25.00 mm ± 50.00 mm ± 1° ± 60.00 mm ± 30.00 mm ± 60.00 mm ± 1° ± 80.00 mm ± 40.00 mm ± 80.00 mm ± 1° ± 100.00 mm ± 50.00 mm ± 100.00 mm ± 1° ± 120.00 mm ± 60.00 mm ± 120.00 mm ± 1° ± 150.00 mm ± 75.00 mm ± 150.00 mm ± 1° ± 200.00 mm ± 100.00 mm ± 200.00 mm ± 1° ± 250.00 mm ± 125.00 mm ± 250.00 mm ± 1° ± 300.00 mm ± 150.00 mm ± 300.00 mm ± 1° ± 400.00 mm ± 200.00 mm ± 400.00 mm ± 1° ± 500.00 mm ± 250.00 mm ± 500.00 mm ± 1° ± 600.00 mm ± 300.00 mm ± 600.00 mm ± 1° ± 800.00 mm ± 400.00 mm ± 800.00 mm ± 1° ± 1000.00 mm ± 500.00 mm ± 1000.00 mm ± 1° ± 1200.00 mm ± 600.00 mm ± 1200.00 mm ± 1° ± 1500.00 mm ± 750.00 mm ± 1500.00 mm ± 1° ± 2000.00 mm ± 1000.00 mm ± 2000.00 mm ± 1° ± 2500.00 mm ± 1250.00 mm ± 2500.00 mm ± 1° ± 3000.00 mm ± 1500.00 mm ± 3000.00 mm ± 1° ± 4000.00 mm ± 2000.00 mm ± 4000.00 mm ± 1° ± 5000.00 mm ± 2500.00 mm ± 5000.00 mm ± 1° ± 6000.00 mm ± 3000.00 mm ± 6000.00 mm ± 1° ± 8000.00 mm ± 4000.00 mm ± 8000.00 mm ± 1° ± 10000.00 mm ± 5000.00 mm ± 10000.00 mm ± 1° ± 12000.00 mm ± 6000.00 mm ± 12000.00 mm ± 1° ± 15000.00 mm ± 7500.00 mm ± 15000.00 mm ± 1° ± 20000.00 mm ± 10000.00 mm ± 20000.00 mm ± 1° ± 25000.00 mm ± 12500.00 mm ± 25000.00 mm ± 1° ± 30000.00 mm ± 15000.00 mm ± 30000.00 mm ± 1° ± 40000.00 mm ± 20000.00 mm ± 40000.00 mm ± 1° ± 50000.00 mm ± 25000.00 mm ± 50000.00 mm ± 1° ± 60000.00 mm ± 30000.00 mm ± 60000.00 mm ± 1° ± 80000.00 mm ± 40000.00 mm ± 80000.00 mm ± 1° ± 100000.00 mm ± 50000.00 mm ± 100000.00 mm ± 1° ± 120000.00 mm ± 60000.00 mm ± 120000.00 mm ± 1° ± 150000.00 mm ± 75000.00 mm ± 150000.00 mm ± 1° ± 200000.00 mm ± 100000.00 mm ± 200000.00 mm ± 1° ± 250000.00 mm ± 125000.00 mm ± 250000.00 mm ± 1° ± 300000.00 mm ± 150000.00 mm ± 300000.00 mm ± 1° ± 400000.00 mm ± 200000.00 mm ± 400000.00 mm ± 1° ± 500000.00 mm ± 250000.00 mm ± 500000.00 mm ± 1° ± 600000.00 mm ± 300000.00 mm ± 600000.00 mm ± 1° ± 800000.00 mm ± 400000.00 mm ± 800000.00 mm ± 1° ± 1000000.00 mm ± 500000.00 mm ± 1000000.00 mm ± 1° ± 1200000.00 mm ± 600000.00 mm ± 1200000.00 mm ± 1° ± 1500000.00 mm ± 750000.00 mm ± 1500000.00 mm ± 1° ± 2000000.00 mm ± 1000000.00 mm ± 2000000.00 mm ± 1° ± 2500000.00 mm ± 1250000.00 mm ± 2500000.00 mm ± 1° ± 3000000.00 mm ± 1500000.00 mm ± 3000000.00 mm ± 1° ± 4000000.00 mm ± 2000000.00 mm ± 4000000.00 mm ± 1° ± 5000000.00 mm ± 2500000.00 mm ± 5000000.00 mm ± 1° ± 6000000.00 mm ± 3000000.00 mm ± 6000000.00 mm ± 1° ± 8000000.00 mm ± 4000000.00 mm ± 8000000.00 mm ± 1° ± 10000000.00 mm ± 5000000.00 mm ± 10000000.00 mm ± 1° ± 12000000.00 mm ± 6000000.00 mm ± 12000000.00 mm ± 1° ± 15000000.00 mm ± 7500000.00 mm ± 15000000.00 mm ± 1° ± 20000000.00 mm ± 10000000.00 mm ± 20000000.00 mm ± 1° ± 25000000.00 mm ± 12500000.00 mm ± 25000000.00 mm ± 1° ± 30000000.00 mm ± 15000000.00 mm ± 30000000.00 mm ± 1° ± 40000000.00 mm ± 20000000.00 mm ± 40000000.00 mm ± 1° ± 50000000.00 mm ± 25000000.00 mm ± 50000000.00 mm ± 1° ± 60000000.00 mm ± 30000000.00 mm ± 60000000.00 mm ± 1° ± 80000000.00 mm ± 40000000.00 mm ± 80000000.00 mm ± 1° ± 100000000.00 mm ± 50000000.00 mm ± 100000000.00 mm ± 1° ± 120000000.00 mm ± 60000000.00 mm ± 120000000.00 mm ± 1° ± 150000000.00 mm ± 75000000.00 mm ± 150000000.00 mm ± 1° ± 200000000.00 mm ± 100000000.00 mm ± 200000000.00 mm ± 1° ± 250000000.00 mm ± 125000000.00 mm ± 250000000.00 mm ± 1° ± 300000000.00 mm ± 150000000.00 mm ± 300000000.00 mm ± 1° ± 400000000.00 mm ± 200000000.00 mm ± 400000000.00 mm ± 1° ± 500000000.00 mm ± 250000000.00 mm ± 500000000.00 mm ± 1° ± 600000000.00 mm ± 300000000.00 mm ± 600000000.00 mm ± 1° ± 800000000.00 mm ± 400000000.00 mm ± 800000000.00 mm ± 1° ± 1000000000.00 mm ± 500000000.00 mm ± 1000000000.00 mm ± 1° ± 1200000000.00 mm ± 600000000.00 mm ± 1200000000.00 mm ± 1° ± 1500000000.00 mm ± 750000000.00 mm ± 1500000000.00 mm ± 1° ± 2000000000.00 mm ± 1000000000.00 mm ± 2000000000.00 mm ± 1° ± 2500000000.00 mm ± 1250000000.00 mm ± 2500000000.00 mm ± 1° ± 3000000000.00 mm ± 1500000000.00 mm ± 3000000000.00 mm ± 1° ± 4000000000.00 mm ± 2000000000.00 mm ± 4000000000.00 mm ± 1° ± 5000000000.00 mm ± 2500000000.00 mm ± 5000000000.00 mm ± 1° ± 6000000000.00 mm ± 3000000000.00 mm ± 6000000000.00 mm ± 1° ± 8000000000.00 mm ± 4000000000.00 mm ± 8000000000.00 mm ± 1° ± 10000000000.00 mm ± 5000000000.00 mm ± 10000000000.00 mm ± 1° ± 12000000000.00 mm ± 6000000000.00 mm ± 12000000000.00 mm ± 1° ± 15000000000.00 mm ± 7500000000.00 mm ± 15000000000.00 mm ± 1° ± 20000000000.00 mm ± 10000000000.00 mm ± 20000000000.00 mm ± 1° ± 25000000000.00 mm ± 12500000000.00 mm ± 25000000000.00 mm ± 1° ± 30000000000.00 mm ± 15000000000.00 mm ± 30000000000.00 mm ± 1° ± 40000000000.00 mm ± 20000000000.00 mm ± 40000000000.00 mm ± 1° ± 50000000000.00 mm ± 25000000000.00 mm ± 50000000000.00 mm ± 1° ± 60000000000.00 mm ± 30000000000.00 mm ± 60000000000.00 mm ± 1° ± 80000000000.00 mm ± 40000000000.00 mm ± 80000000000.00 mm ± 1° ± 100000000000.00 mm ± 50000000000.00 mm ± 100000000000.00 mm ± 1° ± 120000000000.00 mm ± 60000000000.00 mm ± 120000000000.00 mm ± 1° ± 150000000000.00 mm ± 75000000000.00 mm ± 150000000000.00 mm ± 1° ± 200000000000.00 mm ± 100000000000.00 mm ± 200000000000.00 mm ± 1° ± 250000000000.00 mm ± 125000000000.00 mm ± 250000000000.00 mm ± 1° ± 300000000000.00 mm ± 150000000000.00 mm ± 300000000000.00 mm ± 1° ± 400000000000.00 mm ± 200000000000.00 mm ± 400000000000.00 mm ± 1° ± 500000000000.00 mm ± 250000000000.00 mm ± 500000000000.00 mm ± 1° ± 600000000000.00 mm ± 300000000000.00 mm ± 600000000000.00 mm ± 1° ± 800000000000.00 mm ± 400000000000.00 mm ± 800000000000.00 mm ± 1° ± 1000000000000.00 mm ± 500000000000.00 mm ± 1000000000000.00 mm ± 1° ± 1200000000000.00 mm ± 600000000000.00 mm ± 1200000000000.00 mm ± 1° ± 1500000000000.00 mm ± 750000000000.00 mm ± 1500000000000.00 mm ± 1° ± 2000000000000.00 mm ± 1000000000000.00 mm ± 2000000000000.00 mm ± 1° ± 2500000000000.00 mm ± 1250000000000.00 mm ± 2500000000000.00 mm ± 1° ± 3000000000000.00 mm ± 1500000000000.00 mm ± 3000000000000.00 mm ± 1° ± 4000000000000.00 mm ± 2000000000000.00 mm ± 4000000000000.00 mm ± 1° ± 5000000000000.00 mm ± 2500000000000.00 mm ± 5000000000000.00 mm ± 1° ± 6000000000000.00 mm ± 3000000000000.00 mm ± 6000000000000.00 mm ± 1° ± 8000000000000.00 mm ± 4000000000000.00 mm ± 8000000000000.00 mm ± 1° ± 10000000000000.00 mm ± 5000000000000.00 mm ± 10000000000000.00 mm ± 1° ± 12000000000000.00 mm ± 6000000000000.00 mm ± 12000000000000.00 mm ± 1° ± 15000000000000.00 mm ± 7500000000000.00 mm ± 15000000000000.00 mm ± 1° ± 20000000000000.00 mm ± 10000000000000.00 mm ± 20000000000000.00 mm ± 1° ± 25000000000000.00 mm ± 12500000000000.00 mm ± 25000000000000.00 mm ± 1° ± 30000000000000.00 mm ± 15000000000000.00 mm ± 30000000000000.00 mm ± 1° ± 40000000000000.00 mm ± 20000000000000.00 mm ± 40000000000000.00 mm ± 1° ± 50000000000000.00 mm ± 25000000000000.00 mm ± 50000000000000.00 mm ± 1° ± 60000000000000.00 mm ± 30000000000000.00 mm ± 60000000000000.00 mm ± 1° ± 80000000000000.00 mm ± 40000000000000.00 mm ± 80000000000000.00 mm ± 1° ± 100000000000000.00 mm ± 50000000000000.00 mm ± 100000000000000.00 mm ± 1° ± 120000000000000.00 mm ± 60000000000000.00 mm ± 120000000000000.00 mm ± 1° ± 150000000000000.00 mm ± 75000000000000.00 mm ± 150000000000000.00 mm ± 1° ± 200000000000000.00 mm ± 100000000000000.00 mm ± 200000000000000.00 mm ± 1° ± 250000000000000.00 mm ± 125000000000000.00 mm ± 250000000000000.00 mm ± 1° ± 300000000000000.00 mm ± 150000000000000.00 mm ± 300000000000000.00 mm ± 1° ± 400000000000000.00 mm ± 200000000000000.00 mm ± 400000000000000.00 mm ± 1° ± 500000000000000.00 mm ± 250000000000000.00 mm ± 500000000000000.00 mm ± 1° ± 600000000000000.00 mm ± 300000000000000.00 mm ± 600000000000000.00 mm ± 1° ± 800000000000000.00 mm ± 400000000000000.00 mm ± 800000000000000.00 mm ± 1° ± 1000000000000000.00 mm ± 500000000000000.00 mm ± 1000000000000000.00 mm ± 1° ± 1200000000000000.00 mm ± 600000000000000.00 mm ± 1200000000000000.00 mm ± 1° ± 1500000000000000.00 mm ± 750000000000000.00 mm ± 1500000000000000.00 mm ± 1° ± 2000000000000000.00 mm ± 1000000000000000.00 mm ± 2000000000000000.00 mm ± 1° ± 2500000000000000.00 mm ± 1250000000000000.00 mm ± 2500000000000000.00 mm ± 1° ± 3000000000000000.00 mm ± 1500000000000000.00 mm ± 3000000000000000.00 mm ± 1° ± 4000000000000000.00 mm ± 2000000000000000.00 mm ± 4000000000000000.00 mm ± 1° ± 5000000000000000.00 mm ± 2500000000000000.00 mm ± 5000000000000000.00 mm ± 1° ± 6000000000000000.00 mm ± 3000000000000000.00 mm ± 6000000000000000.00 mm ± 1° ± 8000000000000000.00 mm ± 4000000000000000.00 mm ± 8000000000000000.00 mm ± 1° ± 10000000000000000.00 mm ± 5000000000000000.00 mm ± 10000000000000000.00 mm ± 1° ± 12000000000000000.00 mm ± 6000000000000000.00 mm ± 12000000000000000.00 mm ± 1° ± 15000000000000000.00 mm ± 7500000000000000.00 mm ± 15000000000000000.00 mm ± 1° ± 20000000000000000.00 mm ± 10000000000000000.00 mm ± 20000000000000000.00 mm ± 1° ± 25000000000000000.00 mm ± 12500000000000000.00 mm ± 25000000000000000.00 mm ± 1° ± 30000000000000000.00 mm ± 15000000000000000.00 mm ± 30000000000000000.00 mm ± 1° ± 40000000000000000.00 mm ± 20000000000000000.00 mm ± 40000000000000000.00 mm ± 1° ± 50000000000000000.00 mm ± 25000000000000000.00 mm ± 50000000000000000.00 mm ± 1° ± 60000000000000000.00 mm ± 30000000000000000.00 mm ± 60000000000000000.00 mm ± 1° ± 80000000000000000.00 mm ± 40000000000000000.00 mm ± 80000000000000000.00 mm ± 1° ± 100000000000000000.00 mm ± 50000000000000000.00 mm ± 100000000000000000.00 mm ± 1° ± 120000000000000000.00 mm ± 60000000000000000.00 mm ± 120000000000000000.00 mm ± 1° ± 150000000000000000.00 mm ± 75000000000000000.00 mm ± 150000000000000000.00 mm ± 1° ± 200000000000000000.00 mm ± 100000000000000000.00 mm ± 200000000000000000.00 mm ± 1° ± 250000000000000000.00 mm ± 125000000000000000.00 mm ± 250000000000000000.00 mm ± 1° ± 300000000000000000.00 mm ± 150000000000000000.00 mm ± 300000000000000000.00 mm ± 1° ± 400000000000000000.00 mm ± 200000000000000000.00 mm ± 400000000000000000.00 mm ± 1° ± 500000000000000000.00 mm ± 250000000000000000.00 mm ± 500000000000000000.00 mm ± 1° ± 600000000000000000.00 mm ± 300000000000000000.00 mm ± 600000000000000000.00 mm ± 1° ± 800000000000000000.00 mm ± 400000000000000000.00 mm ± 800000000000000000.00 mm ± 1° ± 1000000000000000000.00 mm ± 500000000000000000.00 mm ± 1000000000000000000.00 mm ± 1° ± 1200000000000000000.00 mm ± 600000000000000000.00 mm ± 1200000000000000000.00 mm ± 1° ± 1500000000000000000.00 mm ± 750000000000000000.00 mm ± 1500000000000000000.00 mm ± 1° ± 2000000000000000000.00 mm ± 1000000000000000000.00 mm ± 2000000000000000000.00 mm ± 1° ± 2500000000000000000.00 mm ± 1250000000000000000.00 mm ± 2500000000000000000.00 mm ± 1° ± 3000000000000000000.00 mm ± 1500000000000000000.00 mm ± 3000000000000000000.00 mm ± 1° ± 4000000000000000000.00 mm ± 2000000000000000000.00 mm ± 4000000000000000000.00 mm ± 1° ± 5000000000000000000.00 mm ± 2500000000000000000.00 mm ± 5000000000000000000.00 mm ± 1° ± 6000000000000000000.00 mm ± 3000000000000000000.00 mm ± 6000000000000000000.00 mm ± 1° ± 8000000000000000000.00 mm ± 4000000000000000000.00 mm ± 8000000000000000000.00 mm ± 1° ± 10000000000000 | | | | |