

INSTALLATION NOTES

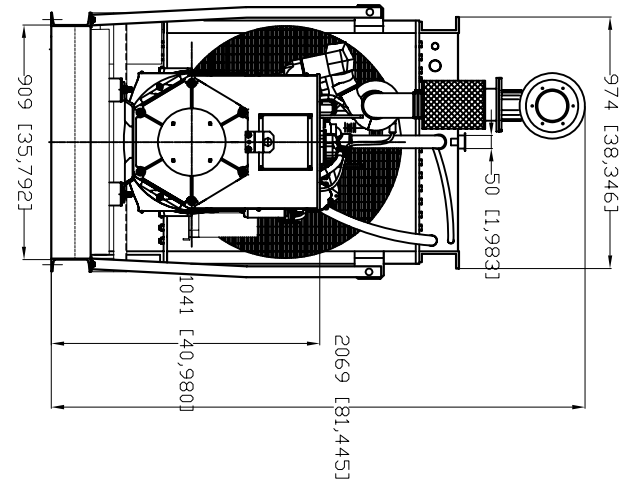
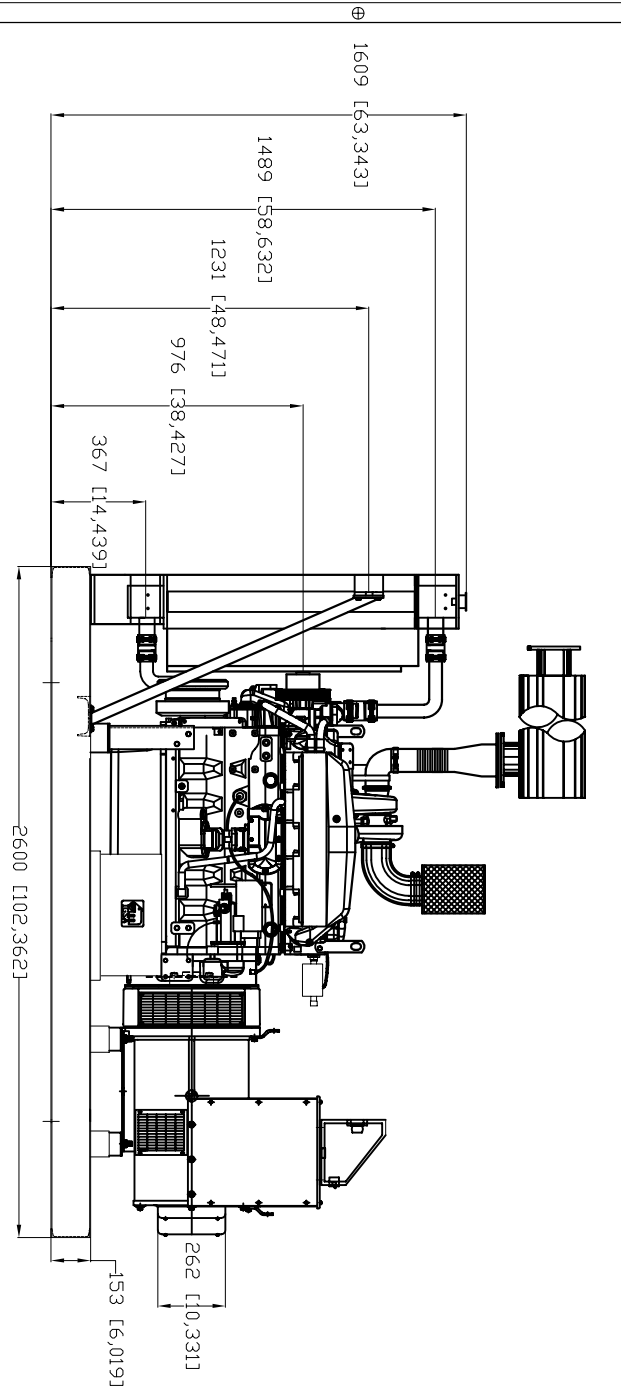
GENERAL DIMENSIONS SUGGESTED BY MANQUINARA IGSA, CAN BE MODIFIED IN FIELD ACCORDING TO INSTALLATION.

POWER GENERATOR'S SILENCER IS PROVIDED SEPARATELY. ITS LOCATION AND DIRECTION CAN BE ADJUSTED IN SITE ACCORDING TO THE NEEDS OF INSTALLATION.

DIAMETER OF SILENCER BODY IS 10"

DIAMETER OF FLEXIBLE TUBE FOR SILENCER IS 4".

PRECAUTIONS PROVIDED OF CORRU, INTEGRATED TO MONROBLOCK (IS NOT OF BOAT)



NOTE: DIMENSIONS IN [] ARE INCH

175 kW
60Hz/AC COILING
SERIES 30
TIER 1

DESCRIPTION	REVIEW NUMBER OF CHANGE	DATE	REVIEW
LIST OF REVISIONS			

MATERIAL	NA	PART NUMBER/WEIGHT (kg)	NA	FINISH	NA	NOT FINISH	NA
STANDARD TOLERANCES OF NOT SPECIFY OTHER							
MANUFACTURING NOT TOLERANCE	TOLERANCES		MANUFACTURING TOLERANCE		ANGULAR		
RANGE	0 mm - 200 mm	± 0.10 mm	LINEAR	± 0.10 mm	No. DIM	DIM	
RANGE	200 mm - 2 m	± 0.15 mm	LINEAR	± 0.15 mm	NO. DIM	DIM	
RANGE	2 m - 1000	± 0.20 mm	LINEAR	± 0.20 mm	NO. DIM	DIM	
			FRAC.				

THE INFORMATION CONTAINED IN THESE DOCUMENT IS PROPERTY EXCLUSIVE OF MANQUINARA IGSA. THEREFORE, THE TOTAL OR PARTIAL REPRODUCTION WITHOUT NOT CONSENT CANNOT BE USED BY MANQUINARA IGSA S.A. DE C.

MANQUINARA IGSA S.A. DE C.V.
 GENERAL ADMINISTRATIVE DEPARTMENT
 GENERAL ADMINISTRATIVE DEPARTMENT
 MANQUINARA IGSA S.A. DE C.V.
 GENERAL ADMINISTRATIVE DEPARTMENT
 MANQUINARA IGSA S.A. DE C.V.

DATE	BY	REVIEW	APPROVED
07-05-01	ALSS	KIK	HDL

PROJECT: CSJ0101755
 SHEET: 1 OF 3

