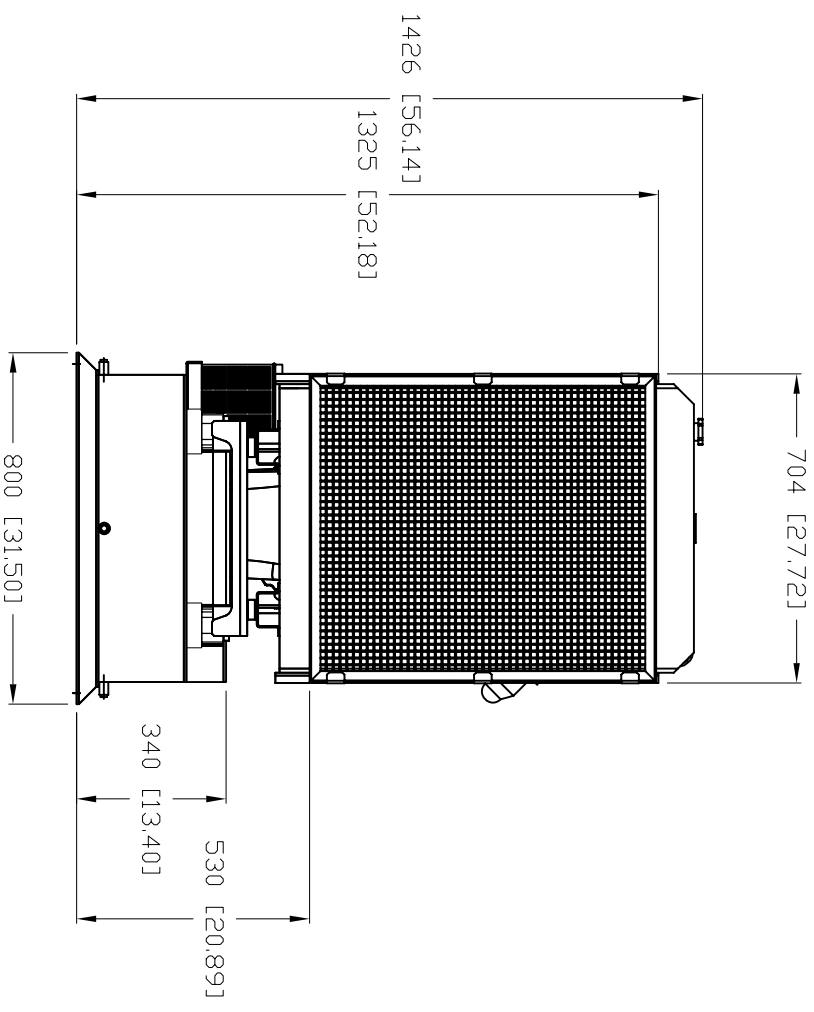
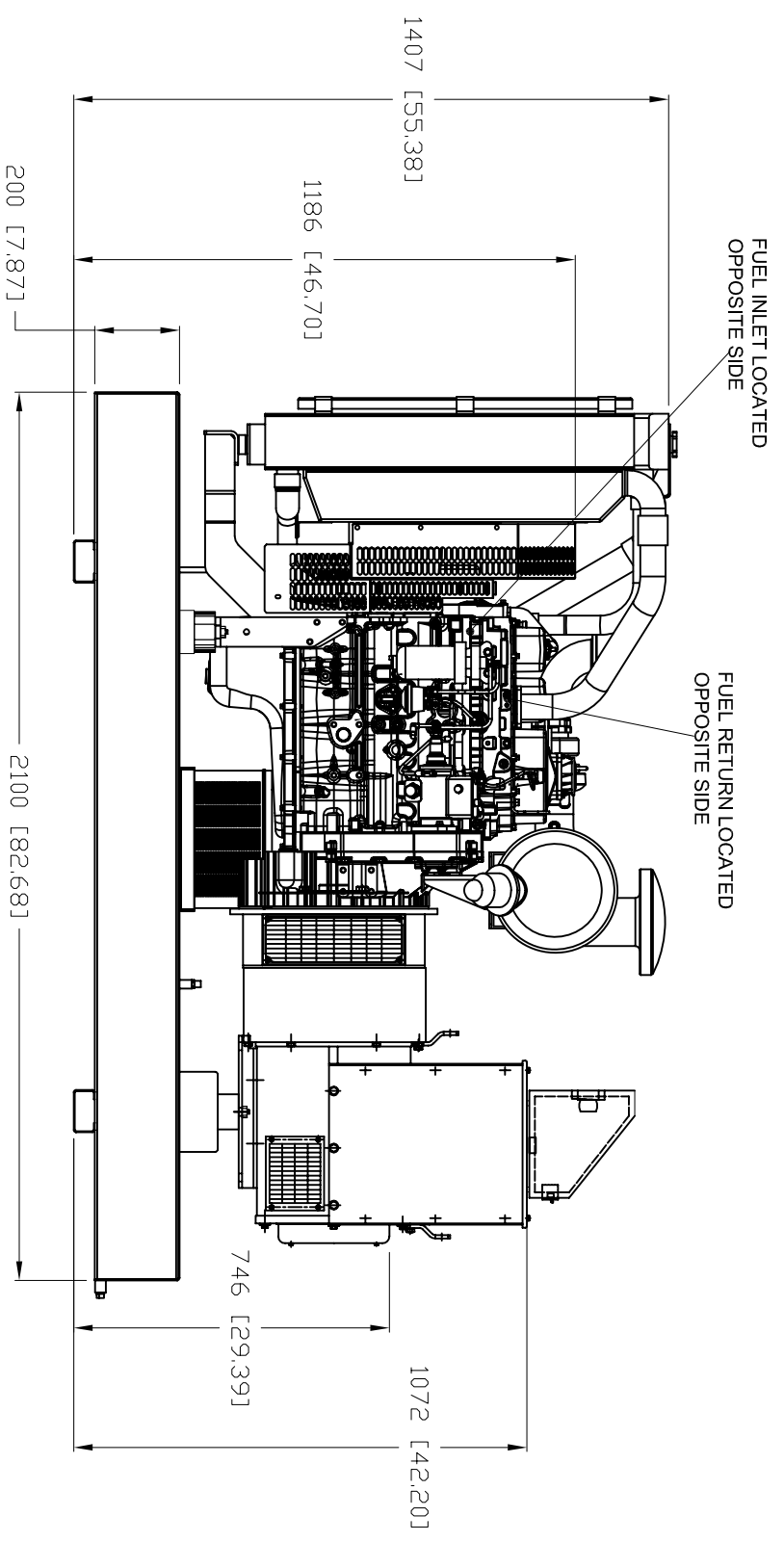


**INSTALLATION NOTES**

GENERAL DIMENSIONS SUGGESTED BY MAQUINARIA IGSA, CAN BE MODIFIED IN FIELD ACCORDING TO INSTALLATION.

POWER GENERATOR'S SILENCER IS PROVIDED SEPARATELY, ITS LOCATION AND DIRECTION CAN BE ADJUSTED IN SITE ACCORDING TO THE NEEDS OF INSTALLATION.

USE THE ANCHOR HOLES TO HOLD THE ELECTRIC PLANT



APPLICATE STANDARD	REVIEW
NORM	

NOTE: DIMENSIONS IN [ ] ARE INCH

80 KW  
60HZ/40C COOLING  
PRTV-NEF45TM  
SERIES IVECO  
TIER II

DESCRIPTION	REVIEW	NUMBER OF CHANGE	DATE	REVIEW
LIST OF REVISIONS				

FD-G1-01-02 REV.01

COPY CONTROLLED

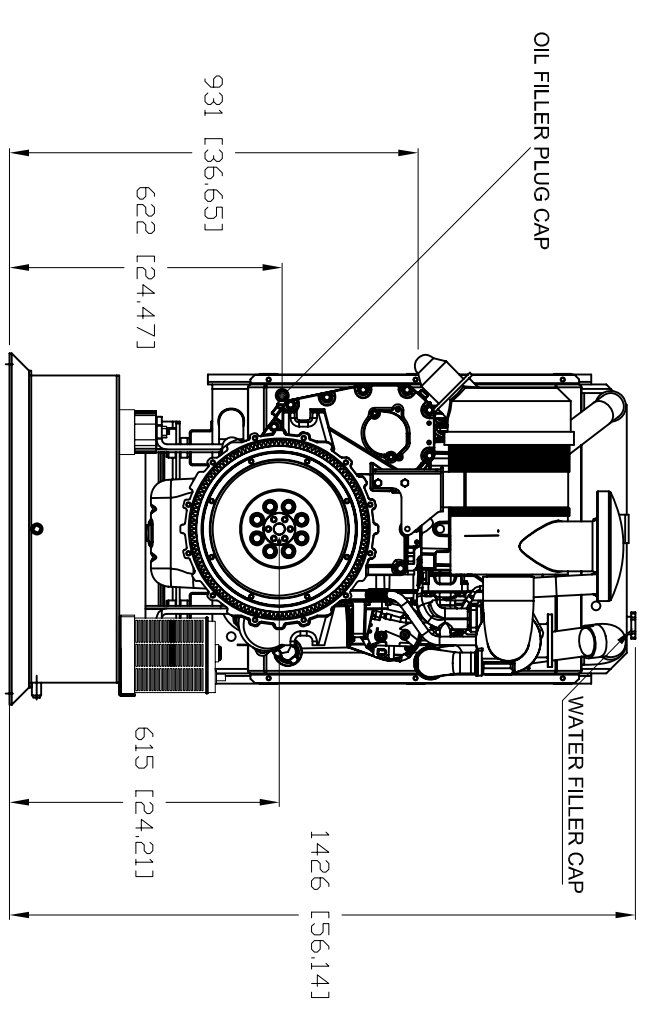
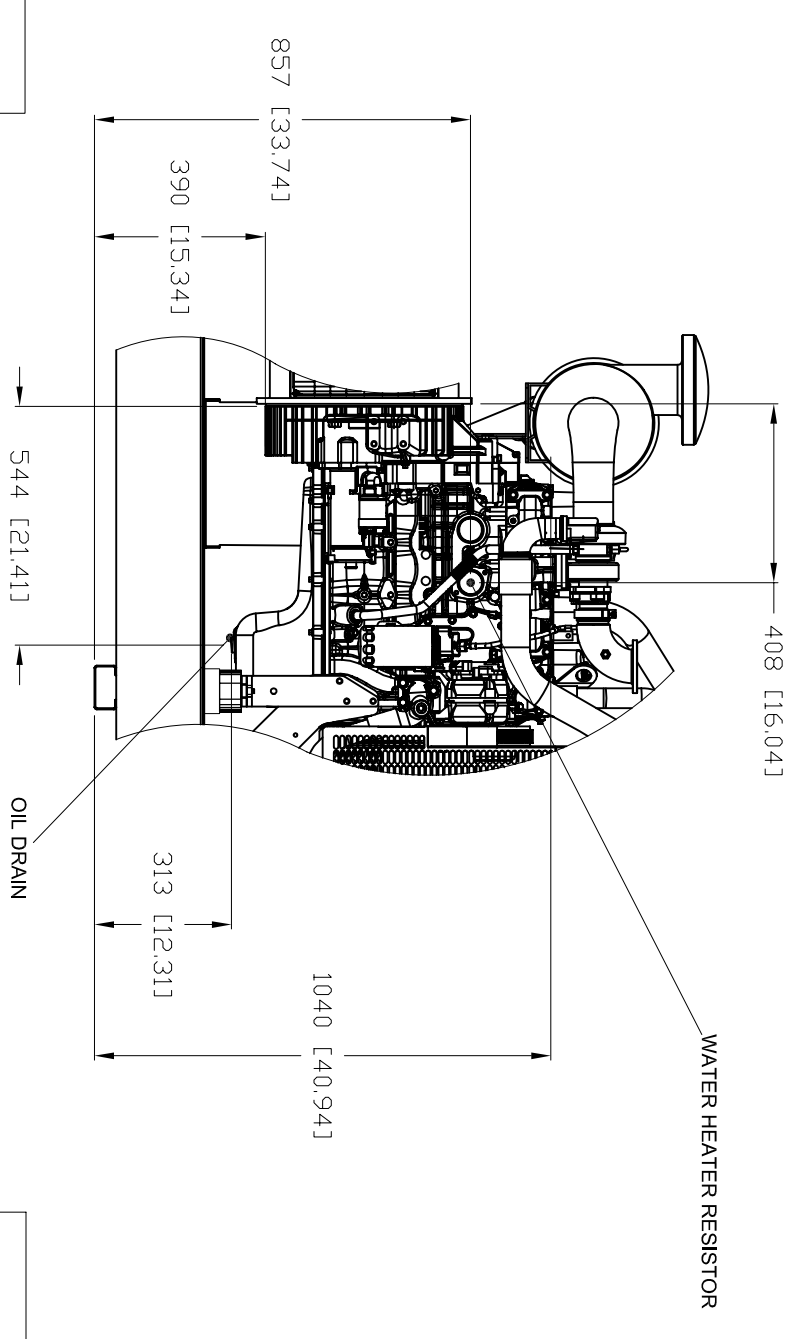
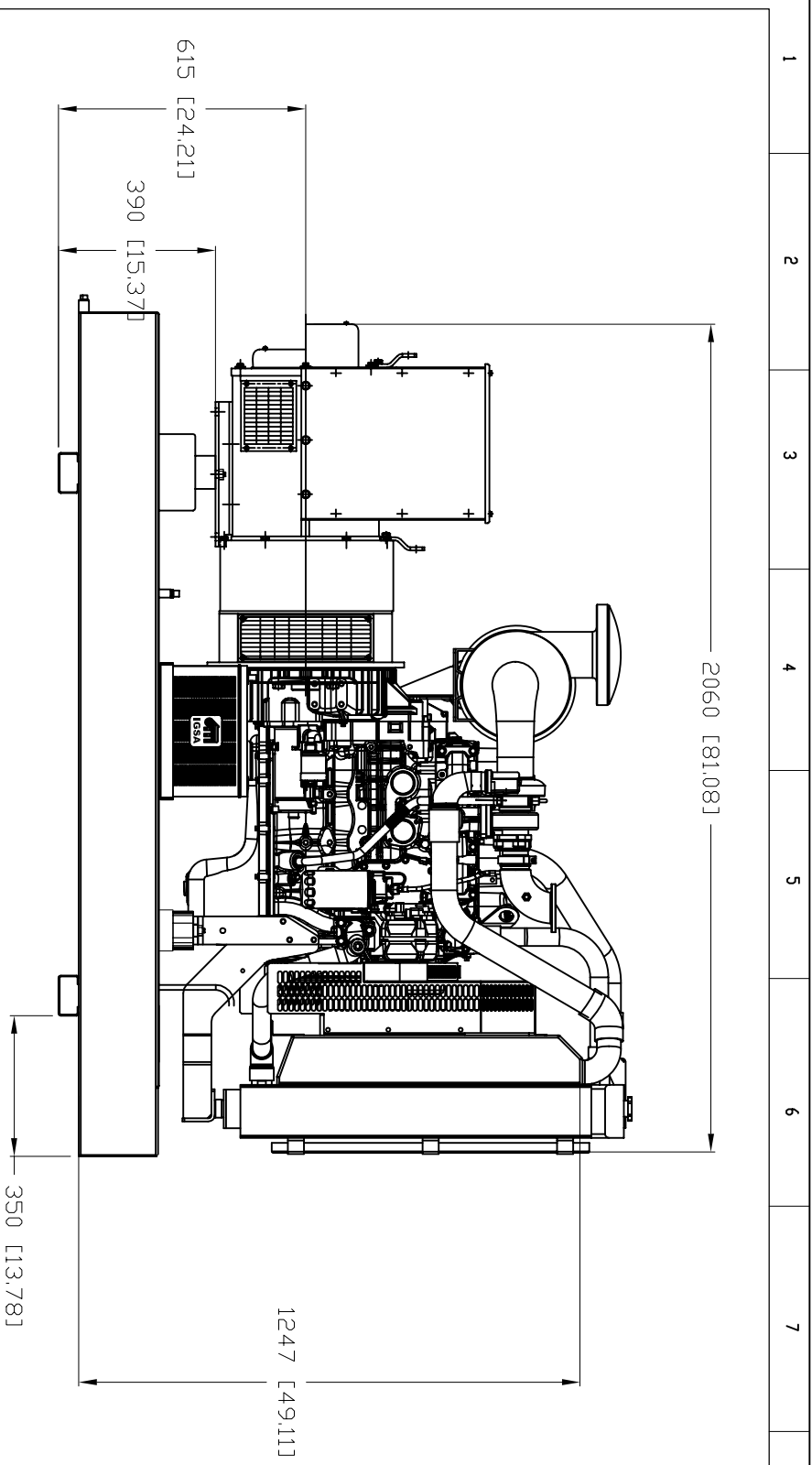
COPY NOT CONTROLLED

OBSOLETE DATE

MATERIAL	PART NUMBER	WEIGHT (kg)	FINISH	NOT FINISH	OTHER
NA	NA	NA	NA	NA	NA

MANUFACTURING TOLERANCE	MANUFACTURING TOLERANCE	ANGULAR
RANGE	DECIMAL	No. DIM
0 mm - 200 mm	± 0.1 mm	± 1
200 mm - 1200 mm	± 0.2 mm	± 1
1200 mm - 10000 mm	± 0.3 mm	± 1
	± 0.5 mm	± 1
	± 0.007	± 1
	± 0.01	± 1
	± 0.02	± 1
	± 0.05	± 1
	± 0.1	± 1
	± 0.2	± 1
	± 0.5	± 1
	± 1	± 1
	± 1.5	± 1
	± 2	± 1
	± 3	± 1
	± 4	± 1
	± 5	± 1
	± 6	± 1
	± 8	± 1
	± 10	± 1
	± 12	± 1
	± 15	± 1
	± 20	± 1
	± 25	± 1
	± 30	± 1
	± 40	± 1
	± 50	± 1
	± 60	± 1
	± 80	± 1
	± 100	± 1
	± 120	± 1
	± 150	± 1
	± 200	± 1
	± 250	± 1
	± 300	± 1
	± 400	± 1
	± 500	± 1
	± 600	± 1
	± 800	± 1
	± 1000	± 1
	± 1200	± 1
	± 1500	± 1
	± 2000	± 1
	± 2500	± 1
	± 3000	± 1
	± 4000	± 1
	± 5000	± 1
	± 6000	± 1
	± 8000	± 1
	± 10000	± 1
	± 12000	± 1
	± 15000	± 1
	± 20000	± 1
	± 25000	± 1
	± 30000	± 1
	± 40000	± 1
	± 50000	± 1
	± 60000	± 1
	± 80000	± 1
	± 100000	± 1
	± 120000	± 1
	± 150000	± 1
	± 200000	± 1
	± 250000	± 1
	± 300000	± 1
	± 400000	± 1
	± 500000	± 1
	± 600000	± 1
	± 800000	± 1
	± 1000000	± 1
	± 1200000	± 1
	± 1500000	± 1
	± 2000000	± 1
	± 2500000	± 1
	± 3000000	± 1
	± 4000000	± 1
	± 5000000	± 1
	± 6000000	± 1
	± 8000000	± 1
	± 10000000	± 1
	± 12000000	± 1
	± 15000000	± 1
	± 20000000	± 1
	± 25000000	± 1
	± 30000000	± 1
	± 40000000	± 1
	± 50000000	± 1
	± 60000000	± 1
	± 80000000	± 1
	± 100000000	± 1
	± 120000000	± 1
	± 150000000	± 1
	± 200000000	± 1
	± 250000000	± 1
	± 300000000	± 1
	± 400000000	± 1
	± 500000000	± 1
	± 600000000	± 1
	± 800000000	± 1
	± 1000000000	± 1
	± 1200000000	± 1
	± 1500000000	± 1
	± 2000000000	± 1
	± 2500000000	± 1
	± 3000000000	± 1
	± 4000000000	± 1
	± 5000000000	± 1
	± 6000000000	± 1
	± 8000000000	± 1
	± 10000000000	± 1
	± 12000000000	± 1
	± 15000000000	± 1
	± 20000000000	± 1
	± 25000000000	± 1
	± 30000000000	± 1
	± 40000000000	± 1
	± 50000000000	± 1
	± 60000000000	± 1
	± 80000000000	± 1
	± 100000000000	± 1
	± 120000000000	± 1
	± 150000000000	± 1
	± 200000000000	± 1
	± 250000000000	± 1
	± 300000000000	± 1
	± 400000000000	± 1
	± 500000000000	± 1
	± 600000000000	± 1
	± 800000000000	± 1
	± 1000000000000	± 1
	± 1200000000000	± 1
	± 1500000000000	± 1
	± 2000000000000	± 1
	± 2500000000000	± 1
	± 3000000000000	± 1
	± 4000000000000	± 1
	± 5000000000000	± 1
	± 6000000000000	± 1
	± 8000000000000	± 1
	± 10000000000000	± 1
	± 12000000000000	± 1
	± 15000000000000	± 1
	± 20000000000000	± 1
	± 25000000000000	± 1
	± 30000000000000	± 1
	± 40000000000000	± 1
	± 50000000000000	± 1
	± 60000000000000	± 1
	± 80000000000000	± 1
	± 100000000000000	± 1
	± 120000000000000	± 1
	± 150000000000000	± 1
	± 200000000000000	± 1
	± 250000000000000	± 1
	± 300000000000000	± 1
	± 400000000000000	± 1
	± 500000000000000	± 1
	± 600000000000000	± 1
	± 800000000000000	± 1
	± 1000000000000000	± 1
	± 1200000000000000	± 1
	± 1500000000000000	± 1
	± 2000000000000000	± 1
	± 2500000000000000	± 1
	± 3000000000000000	± 1
	± 4000000000000000	± 1
	± 5000000000000000	± 1
	± 6000000000000000	± 1
	± 8000000000000000	± 1
	± 10000000000000000	± 1
	± 12000000000000000	± 1
	± 15000000000000000	± 1
	± 20000000000000000	± 1
	± 25000000000000000	± 1
	± 30000000000000000	± 1
	± 40000000000000000	± 1
	± 50000000000000000	± 1
	± 60000000000000000	± 1
	± 80000000000000000	± 1
	± 100000000000000000	± 1
	± 120000000000000000	± 1
	± 150000000000000000	± 1
	± 200000000000000000	± 1
	± 250000000000000000	± 1
	± 300000000000000000	± 1
	± 400000000000000000	± 1
	± 500000000000000000	± 1
	± 600000000000000000	± 1
	± 800000000000000000	± 1
	± 1000000000000000000	± 1
	± 1200000000000000000	± 1
	± 1500000000000000000	± 1
	± 2000000000000000000	± 1
	± 2500000000000000000	± 1
	± 3000000000000000000	± 1
	± 4000000000000000000	± 1
	± 5000000000000000000	± 1
	± 6000000000000000000	± 1
	± 8000000000000000000	± 1
	± 10000000000000000000	± 1
	± 12000000000000000000	± 1
	± 15000000000000000000	± 1
	± 20000000000000000000	± 1
	± 25000000000000000000	± 1
	± 30000000000000000000	± 1
	± 40000000000000000000	± 1
	± 50000000000000000000	± 1
	± 60000000000000000000	± 1
	± 80000000000000000000	± 1
	± 100000000000000000000	± 1
	± 120000000000000000000	± 1
	± 150000000000000000000	± 1
	± 200000000000000000000	± 1
	± 250000000000000000000	± 1
	± 300000000000000000000	± 1
	± 400000000000000000000	± 1
	± 500000000000000000000	± 1
	± 600000000000000000000	± 1
	± 800000000000000000000	± 1
	± 1000000000000000000000	± 1
	± 1200000000000000000000	± 1
	± 1500000000000000000000	± 1
	± 2000000000000000000000	± 1
	± 2500000000000000000000	± 1
	± 3000000000000000000000	± 1
	± 4000000000000000000000	± 1
	± 5000000000000000000000	± 1
	± 6000000000000000000000	± 1
	± 8000000000000000000000	± 1
	± 10000000000000000000000	± 1
	± 12000000000000000000000	± 1
	± 15000000000000000000000	± 1
	± 20000000000000000000000	± 1
	± 25000000000000000000000	± 1
	± 30000000000000000000000	± 1
	± 40000000000000000000000	± 1
	± 50000000000000000000000	± 1
	± 60000000000000000000000	± 1
	± 80000000000000000000000	± 1
	± 100000000000000000000000	± 1
	± 120000000000000000000000	± 1
	± 150000000000000000000000	± 1
	± 200000000000000000000000	± 1
	± 250000000000000000000000	± 1
	± 300000000000000000000000	± 1
	± 400000000000000000000000	± 1
	± 500000000000000000000000	± 1
	± 600000000000000000000000	± 1
	± 800000000000000000000000	± 1
	± 1000000000000000000000000	± 1
	± 1200000000000000000000000	± 1
	± 1500000000000000000000000	± 1
	± 2000000000000000000000000	± 1
	± 2500000000000000000000000	± 1
	± 3000000000000000000000000	± 1
	± 4000000000000000000000000	± 1
	± 5000000000000000000000000	± 1
	± 6000000000000000000000000	± 1
	± 8000000000000000000000000	



NOTE: DIMENSIONS IN [ ] ARE INCH

80 KW  
60HZ/40C COOLING  
PRTV-NEF-45TM  
SERIES IVECO  
TIER II

APPLICATE STANDARD	
NORM	REVIEW

DESCRIPTION	REVIEW	NUMBER OF CHANGE	DATE	REVIEW
LIST OF REVISIONS				

MATERIAL	NA	PART NUMBER/WEIGHT (kg)	NA	FINISH	NA	NOT FINISH	NA	CUSTOMER
STANDARD TOLERANCES OF NOT SPECIFY OTHER								
MANUFACTURING NOT TOLERANCE	DECIMAL	MANUFACTURING TOLERANCE	LINEAR	DIAMETER	ANGULAR	NO. DIM	DIM	
RANGE	TOLERANCES							
0 mm - 200 mm	± 0.1 mm	0	± 0.12	± 0.08	90° ±	± 1		
200 mm - 1200 mm	± 0.2 mm	1	± 0.15	± 0.10				
1200 mm - 10000 mm	± 0.3 mm	2	± 0.20	± 0.15				
	± 0.5 mm	3	± 0.30	± 0.20				
	± 1.0 mm	4	± 0.50	± 0.30				
	± 1.5 mm	5	± 0.75	± 0.45				
	± 2.0 mm	6	± 1.00	± 0.60				
	± 3.0 mm	7	± 1.50	± 0.90				
	± 4.0 mm	8	± 2.00	± 1.20				
	± 5.0 mm	9	± 2.50	± 1.50				
	± 6.0 mm	10	± 3.00	± 1.80				
	± 8.0 mm	11	± 4.00	± 2.40				
	± 10 mm	12	± 5.00	± 3.00				
	± 12 mm	13	± 6.00	± 3.60				
	± 15 mm	14	± 7.50	± 4.50				
	± 20 mm	15	± 10.00	± 6.00				
	± 25 mm	16	± 12.50	± 7.50				
	± 30 mm	17	± 15.00	± 9.00				
	± 40 mm	18	± 20.00	± 12.00				
	± 50 mm	19	± 25.00	± 15.00				
	± 60 mm	20	± 30.00	± 18.00				
	± 80 mm	21	± 40.00	± 24.00				
	± 100 mm	22	± 50.00	± 30.00				
	± 120 mm	23	± 60.00	± 36.00				
	± 150 mm	24	± 75.00	± 45.00				
	± 200 mm	25	± 100.00	± 60.00				
	± 250 mm	26	± 125.00	± 75.00				
	± 300 mm	27	± 150.00	± 90.00				
	± 400 mm	28	± 200.00	± 120.00				
	± 500 mm	29	± 250.00	± 150.00				
	± 600 mm	30	± 300.00	± 180.00				
	± 800 mm	31	± 400.00	± 240.00				
	± 1000 mm	32	± 500.00	± 300.00				
	± 1200 mm	33	± 600.00	± 360.00				
	± 1500 mm	34	± 750.00	± 450.00				
	± 2000 mm	35	± 1000.00	± 600.00				
	± 2500 mm	36	± 1250.00	± 750.00				
	± 3000 mm	37	± 1500.00	± 900.00				
	± 4000 mm	38	± 2000.00	± 1200.00				
	± 5000 mm	39	± 2500.00	± 1500.00				
	± 6000 mm	40	± 3000.00	± 1800.00				
	± 8000 mm	41	± 4000.00	± 2400.00				
	± 10000 mm	42	± 5000.00	± 3000.00				

THE INFORMATION CONTAINED IN THESE DOCUMENT IS PROPERTY EXCLUSIVE OF MAQUINARIA IGSA THEREFORE, THE TOTAL OR PARTIAL REPRODUCTION WITHOUT NOT CONSENT CANNOT WRITING BE USED BY MAQUINARIA IGSA S.A DE C.

MAQUINARIA IGSA S.A. DE C.V.  
 LA EMPRESA MAQUINARIA IGSA S.A. DE C.V. SE LE AGRADECE SU INTERES EN OBTENER ESTE DOCUMENTO DE INFORMACION TECNICA. EL PRESENTE DOCUMENTO ES UN PRODUCTO DE LA INDUSTRIA MAQUINARIA IGSA S.A. DE C.V. Y SU DISTRIBUCION SE REALIZA SIN RESPONSABILIDAD DE LA EMPRESA MAQUINARIA IGSA S.A. DE C.V. EN LOS TERMINOS Y CONDICIONES ESTABLECIDAS EN EL CONTRATO DE COMPRA Y VENTA DE MAQUINARIA IGSA S.A. DE C.V. EN LA CIUDAD DE GUADALAJARA, MEXICO, EN LA FECHA DE 15 DE FEBRERO DE 2008.

GENERAL ADJUSTMENT GEN SET 80 KW WITH INTEGRATED TANK

SCALE: 1:1  
 DIMENSION: mm

DATE: 10-05-07  
 DRAWN: TUSA  
 REVIEW: RTR  
 APPROVED: HGL

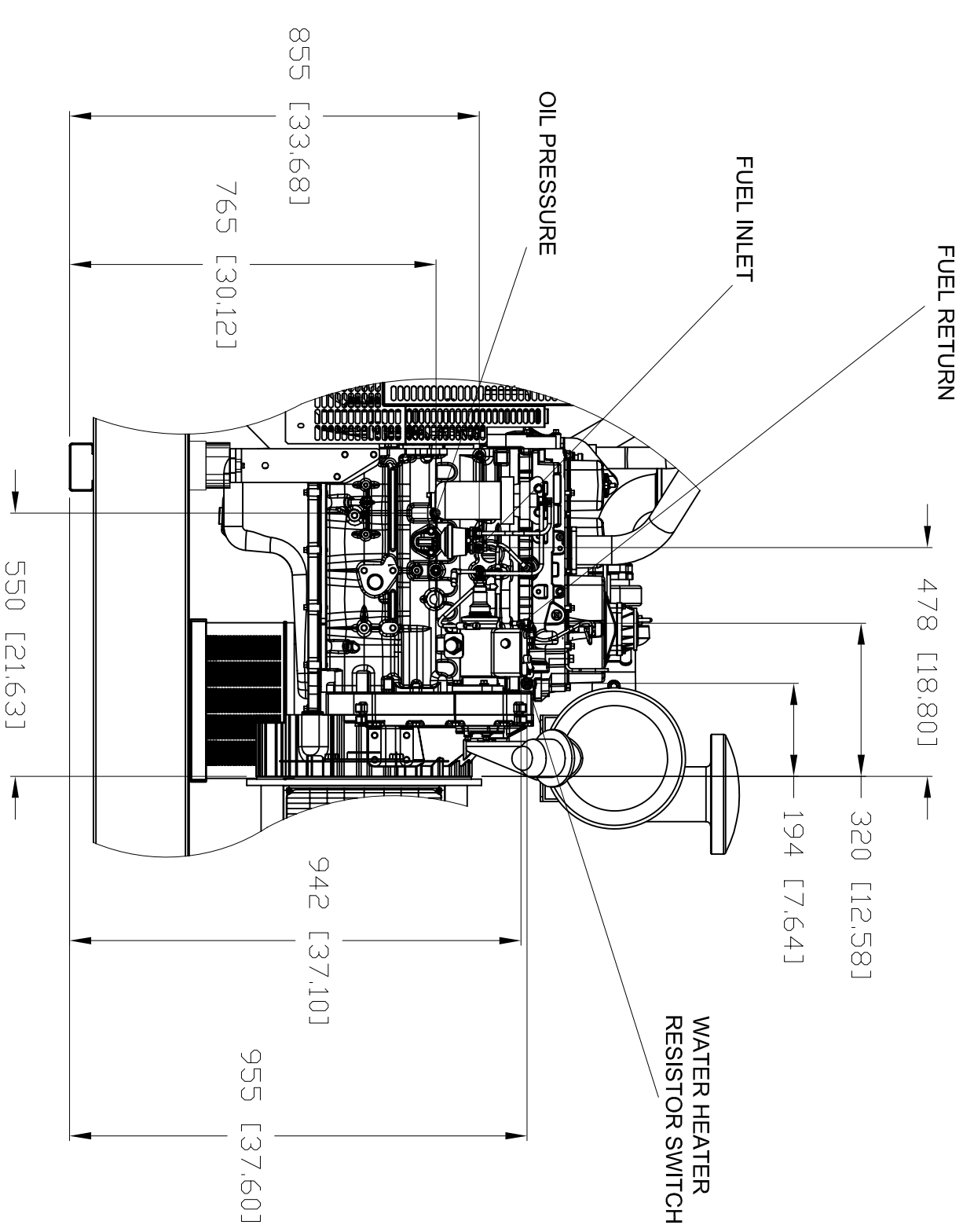
TITLE: MAQUINARIA IGSA S.A. DE C.V.  
 GENERAL ADJUSTMENT GEN SET 80 KW WITH INTEGRATED TANK

CAPACITY OF 80 KW INDEPENDENT 2P-4W-400/230V/50HZ STARTING TANK WITH INVERTER AND STANDARD ATTENUATOR

DESIGN NUMBER: GSIIV200805

REV: 01  
 SHEET 2 of 3

GENSET 80KW GENERAL FEATURES WITH CHASSIS			
CAPACITY KW	MODEL IVECO ENGINE	ALTERNATOR STAMFORD MODEL	WEIGHT WITHOUT DIESEL kg
80	NEF45TM1	UC1224G	UC1224G
FUEL CONSUMPTION WITH LOAD Lt/hr. AND ENGINE POWER :			
	75%	100%	
	15.9	20.8	



NOTE: DIMENSIONS IN [ ] ARE INCH

APPLICATE STANDARD	REVIEW
NDRM	

DESCRIPTION	REVIEW	NUMBER OF CHANGE	DATE	REVIEW
LIST OF REVISIONS				

80 KW  
60HZ/40C COOLING  
PRIV-NEF45TM1  
SERIES IVECO  
TIER II

MATERIAL	PART NUMBER WEIGHT (kg)	FINISH	NOT FINISH	CUSTOMER
NA	NA	NA	NA	

MANUFACTURING NOT TOLERANCE	MANUFACTURING TOLERANCE	ANGULAR
RANGE: 0 mm - 200 mm	DECIMAL	No. DIM
200 mm - 1200 mm	± 0.1 mm	± 1
1200 mm - 12000 mm	± 0.2 mm	± 1
12000 mm - 100000 mm	± 0.3 mm	± 1
	± 0.007	± 1
	± 0.01 mm	± 1
	± 0.02 mm	± 1
	± 0.05 mm	± 1
	± 0.1 mm	± 1
	± 0.15 mm	± 1
	± 0.2 mm	± 1
	± 0.3 mm	± 1
	± 0.5 mm	± 1
	± 0.7 mm	± 1
	± 1.0 mm	± 1
	± 1.5 mm	± 1
	± 2.0 mm	± 1
	± 3.0 mm	± 1
	± 4.0 mm	± 1
	± 5.0 mm	± 1
	± 6.0 mm	± 1
	± 8.0 mm	± 1
	± 10 mm	± 1
	± 15 mm	± 1
	± 20 mm	± 1
	± 25 mm	± 1
	± 30 mm	± 1
	± 40 mm	± 1
	± 50 mm	± 1
	± 60 mm	± 1
	± 80 mm	± 1
	± 100 mm	± 1
	± 120 mm	± 1
	± 150 mm	± 1
	± 200 mm	± 1
	± 250 mm	± 1
	± 300 mm	± 1
	± 400 mm	± 1
	± 500 mm	± 1
	± 600 mm	± 1
	± 800 mm	± 1
	± 1000 mm	± 1
	± 1200 mm	± 1
	± 1500 mm	± 1
	± 2000 mm	± 1
	± 2500 mm	± 1
	± 3000 mm	± 1
	± 4000 mm	± 1
	± 5000 mm	± 1
	± 6000 mm	± 1
	± 8000 mm	± 1
	± 10000 mm	± 1
	± 12000 mm	± 1
	± 15000 mm	± 1
	± 20000 mm	± 1
	± 25000 mm	± 1
	± 30000 mm	± 1
	± 40000 mm	± 1
	± 50000 mm	± 1
	± 60000 mm	± 1
	± 80000 mm	± 1
	± 100000 mm	± 1
	± 120000 mm	± 1
	± 150000 mm	± 1
	± 200000 mm	± 1
	± 250000 mm	± 1
	± 300000 mm	± 1
	± 400000 mm	± 1
	± 500000 mm	± 1
	± 600000 mm	± 1
	± 800000 mm	± 1
	± 1000000 mm	± 1
	± 1200000 mm	± 1
	± 1500000 mm	± 1
	± 2000000 mm	± 1
	± 2500000 mm	± 1
	± 3000000 mm	± 1
	± 4000000 mm	± 1
	± 5000000 mm	± 1
	± 6000000 mm	± 1
	± 8000000 mm	± 1
	± 10000000 mm	± 1
	± 12000000 mm	± 1
	± 15000000 mm	± 1
	± 20000000 mm	± 1
	± 25000000 mm	± 1
	± 30000000 mm	± 1
	± 40000000 mm	± 1
	± 50000000 mm	± 1
	± 60000000 mm	± 1
	± 80000000 mm	± 1
	± 100000000 mm	± 1
	± 120000000 mm	± 1
	± 150000000 mm	± 1
	± 200000000 mm	± 1
	± 250000000 mm	± 1
	± 300000000 mm	± 1
	± 400000000 mm	± 1
	± 500000000 mm	± 1
	± 600000000 mm	± 1
	± 800000000 mm	± 1
	± 1000000000 mm	± 1
	± 1200000000 mm	± 1
	± 1500000000 mm	± 1
	± 2000000000 mm	± 1
	± 2500000000 mm	± 1
	± 3000000000 mm	± 1
	± 4000000000 mm	± 1
	± 5000000000 mm	± 1
	± 6000000000 mm	± 1
	± 8000000000 mm	± 1
	± 10000000000 mm	± 1
	± 12000000000 mm	± 1
	± 15000000000 mm	± 1
	± 20000000000 mm	± 1
	± 25000000000 mm	± 1
	± 30000000000 mm	± 1
	± 40000000000 mm	± 1
	± 50000000000 mm	± 1
	± 60000000000 mm	± 1
	± 80000000000 mm	± 1
	± 100000000000 mm	± 1
	± 120000000000 mm	± 1
	± 150000000000 mm	± 1
	± 200000000000 mm	± 1
	± 250000000000 mm	± 1
	± 300000000000 mm	± 1
	± 400000000000 mm	± 1
	± 500000000000 mm	± 1
	± 600000000000 mm	± 1
	± 800000000000 mm	± 1
	± 1000000000000 mm	± 1
	± 1200000000000 mm	± 1
	± 1500000000000 mm	± 1
	± 2000000000000 mm	± 1
	± 2500000000000 mm	± 1
	± 3000000000000 mm	± 1
	± 4000000000000 mm	± 1
	± 5000000000000 mm	± 1
	± 6000000000000 mm	± 1
	± 8000000000000 mm	± 1
	± 10000000000000 mm	± 1
	± 12000000000000 mm	± 1
	± 15000000000000 mm	± 1
	± 20000000000000 mm	± 1
	± 25000000000000 mm	± 1
	± 30000000000000 mm	± 1
	± 40000000000000 mm	± 1
	± 50000000000000 mm	± 1
	± 60000000000000 mm	± 1
	± 80000000000000 mm	± 1
	± 100000000000000 mm	± 1
	± 120000000000000 mm	± 1
	± 150000000000000 mm	± 1
	± 200000000000000 mm	± 1
	± 250000000000000 mm	± 1
	± 300000000000000 mm	± 1
	± 400000000000000 mm	± 1
	± 500000000000000 mm	± 1
	± 600000000000000 mm	± 1
	± 800000000000000 mm	± 1
	± 1000000000000000 mm	± 1
	± 1200000000000000 mm	± 1
	± 1500000000000000 mm	± 1
	± 2000000000000000 mm	± 1
	± 2500000000000000 mm	± 1
	± 3000000000000000 mm	± 1
	± 4000000000000000 mm	± 1
	± 5000000000000000 mm	± 1
	± 6000000000000000 mm	± 1
	± 8000000000000000 mm	± 1
	± 10000000000000000 mm	± 1
	± 12000000000000000 mm	± 1
	± 15000000000000000 mm	± 1
	± 20000000000000000 mm	± 1
	± 25000000000000000 mm	± 1
	± 30000000000000000 mm	± 1
	± 40000000000000000 mm	± 1
	± 50000000000000000 mm	± 1
	± 60000000000000000 mm	± 1
	± 80000000000000000 mm	± 1
	± 100000000000000000 mm	± 1
	± 120000000000000000 mm	± 1
	± 150000000000000000 mm	± 1
	± 200000000000000000 mm	± 1
	± 250000000000000000 mm	± 1
	± 300000000000000000 mm	± 1
	± 400000000000000000 mm	± 1
	± 500000000000000000 mm	± 1
	± 600000000000000000 mm	± 1
	± 800000000000000000 mm	± 1
	± 1000000000000000000 mm	± 1
	± 1200000000000000000 mm	± 1
	± 1500000000000000000 mm	± 1
	± 2000000000000000000 mm	± 1
	± 2500000000000000000 mm	± 1
	± 3000000000000000000 mm	± 1
	± 4000000000000000000 mm	± 1
	± 5000000000000000000 mm	± 1
	± 6000000000000000000 mm	± 1
	± 8000000000000000000 mm	± 1
	± 10000000000000000000 mm	± 1
	± 12000000000000000000 mm	± 1
	± 15000000000000000000 mm	± 1
	± 20000000000000000000 mm	± 1
	± 25000000000000000000 mm	± 1
	± 30000000000000000000 mm	± 1
	± 40000000000000000000 mm	± 1
	± 50000000000000000000 mm	± 1
	± 60000000000000000000 mm	± 1
	± 80000000000000000000 mm	± 1
	± 100000000000000000000 mm	± 1
	± 120000000000000000000 mm	± 1
	± 150000000000000000000 mm	± 1
	± 200000000000000000000 mm	± 1
	± 250000000000000000000 mm	± 1
	± 300000000000000000000 mm	± 1
	± 400000000000000000000 mm	± 1
	± 500000000000000000000 mm	± 1
	± 600000000000000000000 mm	± 1
	± 800000000000000000000 mm	± 1
	± 1000000000000000000000 mm	± 1
	± 1200000000000000000000 mm	± 1
	± 1500000000000000000000 mm	± 1
	± 2000000000000000000000 mm	± 1
	± 2500000000000000000000 mm	± 1
	± 3000000000000000000000 mm	± 1
	± 4000000000000000000000 mm	± 1
	± 5000000000000000000000 mm	± 1
	± 6000000000000000000000 mm	± 1
	± 8000000000000000000000 mm	± 1
	± 10000000000000000000000 mm	± 1
	± 12000000000000000000000 mm	± 1
	± 15000000000000000000000 mm	± 1
	± 20000000000000000000000 mm	± 1
	± 25000000000000000000000 mm	± 1
	± 30000000000000000000000 mm	± 1
	± 40000000000000000000000 mm	± 1
	± 50000000000000000000000 mm	± 1
	± 60000000000000000000000 mm	± 1
	± 80000000000000000000000 mm	± 1
	± 100000000000000000000000 mm	± 1
	± 120000000000000000000000 mm	± 1
	± 150000000000000000000000 mm	± 1
	± 200000000000000000000000 mm	± 1
	± 250000000000000000000000 mm	± 1
	± 300000000000000000000000 mm	± 1
	± 400000000000000000000000 mm	± 1
	± 500000000000000000000000 mm	± 1
	± 600000000000000000000000 mm	± 1
	± 800000000000000000000000 mm	± 1
	± 1000000000000000000000000 mm	± 1
	± 1200000000000000000000000 mm	± 1
	± 1500000000000000000000000 mm	± 1
	± 2000000000000000000000000 mm	± 1
	± 2500000000000000000000000 mm	± 1
	± 3000000000000000000000000 mm	± 1
	± 4000000000000000000000000 mm	± 1
	± 5000000000000000000000000 mm	± 1
	± 6000000000000000000000000 mm	± 1
	± 8000000000000000000000000 mm	± 1
	± 10000000000000000000000000 mm	± 1
	± 12000000000000000000000000 mm	± 1
	± 15000000000000000000000000 mm	± 1