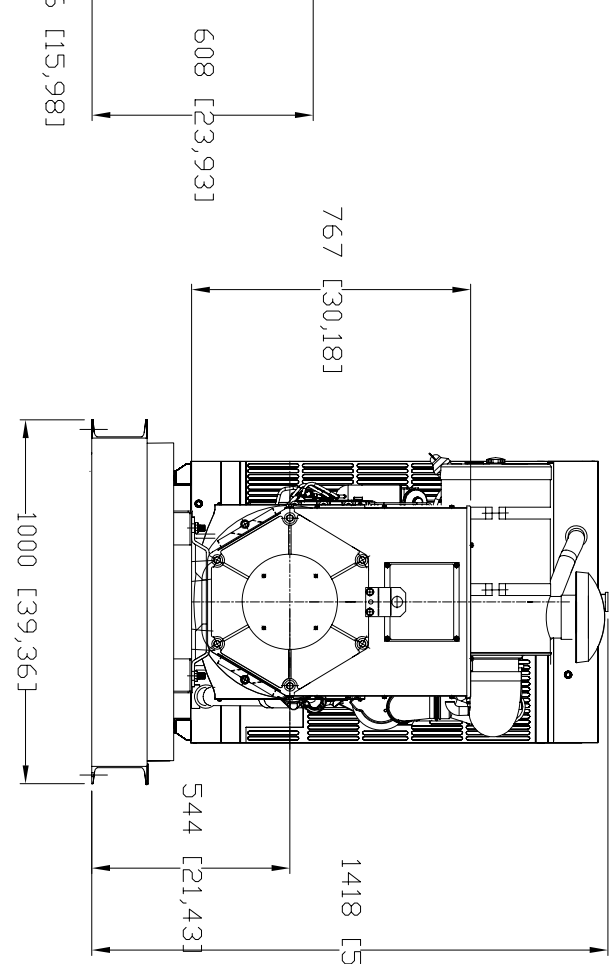
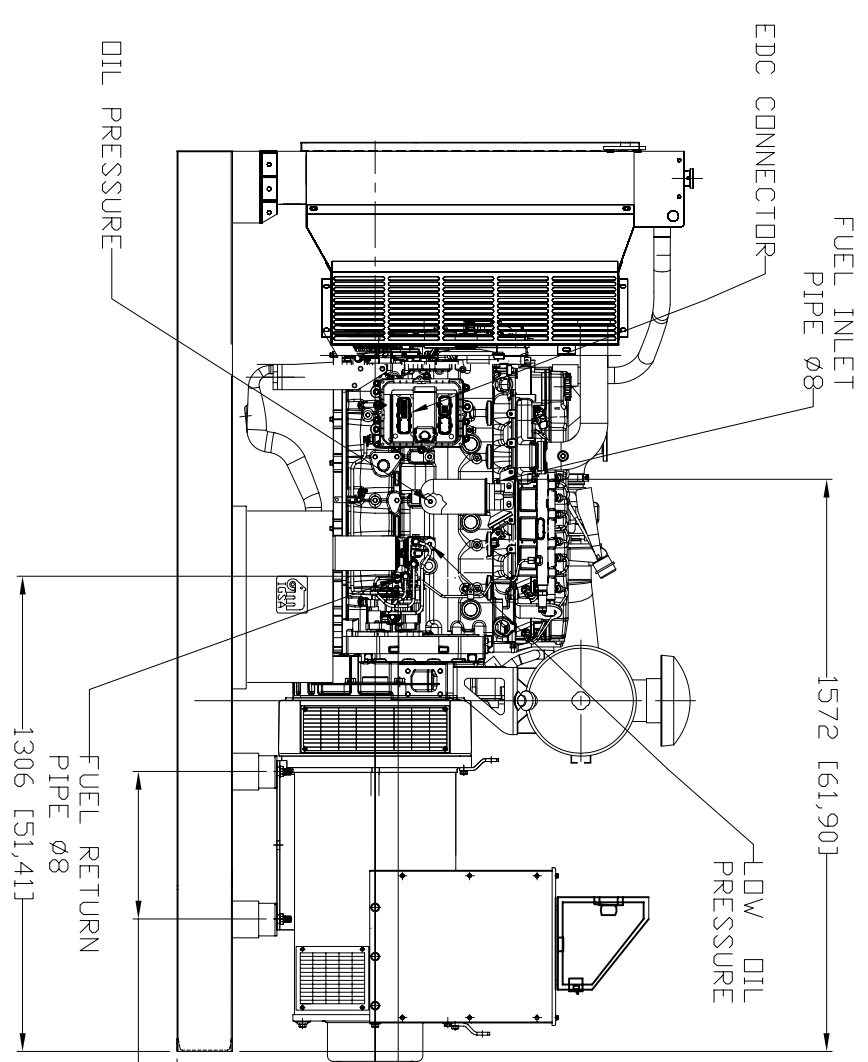


GENSET 185KW GENERAL FEATURES WITH INTEGRATED TANK					
CAPACITY KW	MODEL IVECO ENGINE	ALTERNATOR STAMFORD MODEL	WEIGHT WITHOUT DIESEL kg	FUEL CONSUMPTION WITH LOAD Lbs / hr. AND ENGINE POWER:	
185	NEF60TE2	UCI 274H	1519,1	75%	100%
				35.9	49.1



APPLICATE STANDARD	REVIEW
NORM	

NOTE: DIMENSIONS IN [] ARE INCH

DESCRIPTION	REVIEW NUMBER OF CHANGE	DATE	REVIEW
LIST OF REVISIONS			

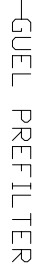
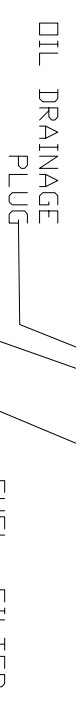
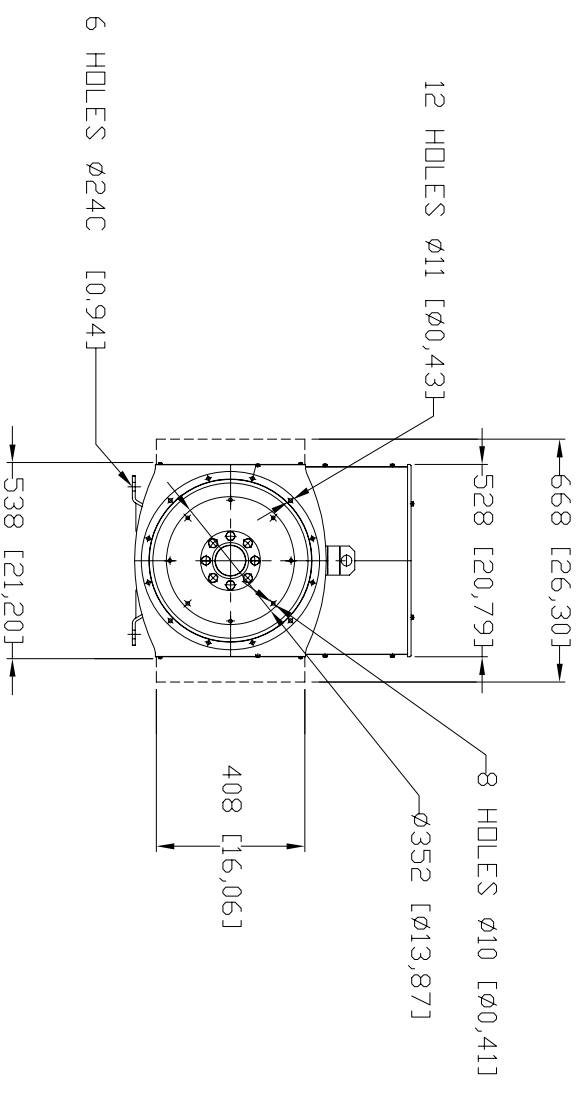
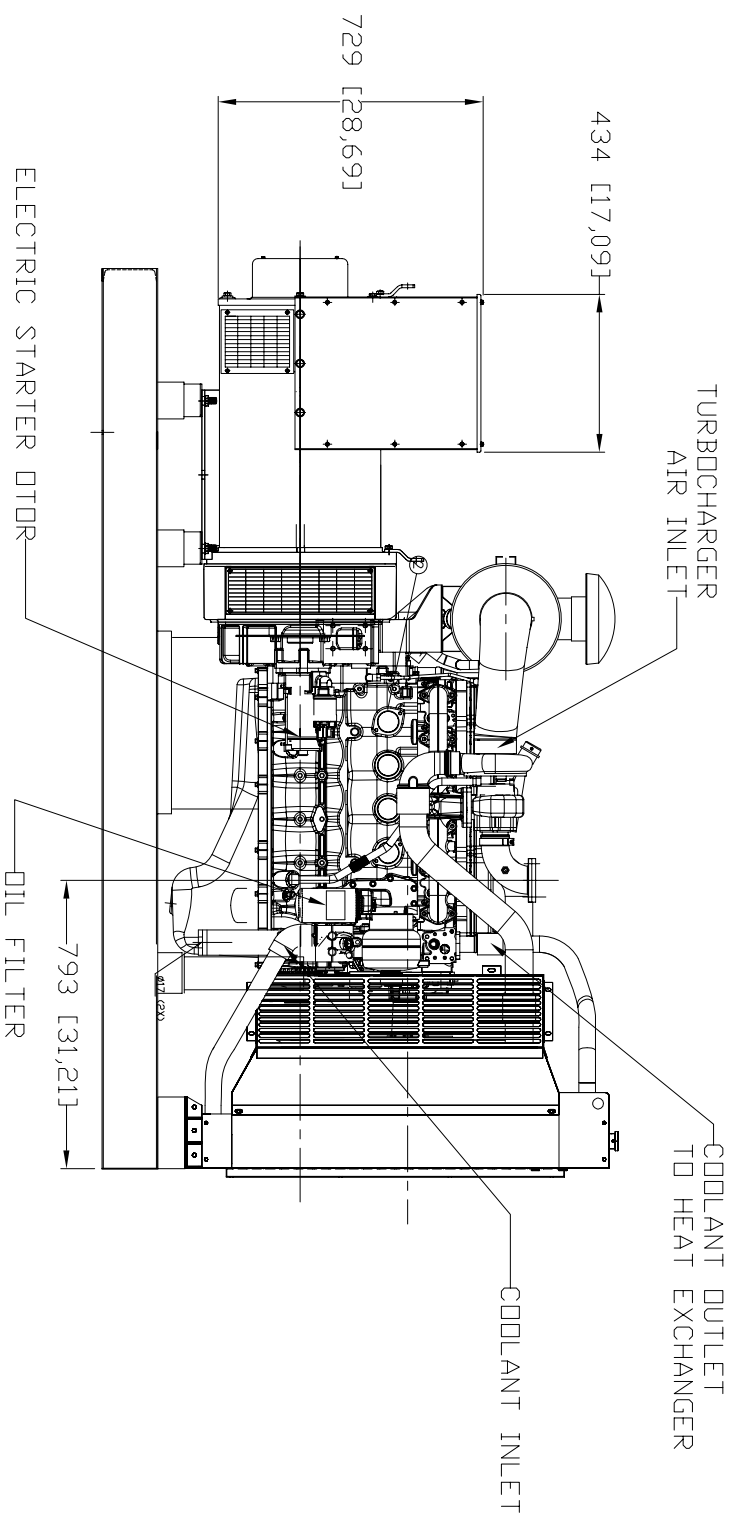
200 K.W.
60HZ/40C COOLING
NEF60TE2 SERIES IVECO
TIER I

MATERIAL	PART NUMBER	WEIGHT (kg)	FINISH	NOT FINISH	CUSTOMER
NA	NA	NA	NA	NA	

MANUFACTURING NOT TOLERANCES	MANUFACTURING TOLERANCE	ANGULAR
RANGE 0 mm - 500 mm	DECIMAL	No. DIM
± 0.1 mm	± 0.02	90 ± 2
± 0.15 mm	± 0.03	
± 0.2 mm	± 0.04	
± 0.3 mm	± 0.05	
± 0.4 mm	± 0.06	
± 0.5 mm	± 0.07	
± 0.6 mm	± 0.08	
± 0.7 mm	± 0.09	
± 0.8 mm	± 0.10	
± 0.9 mm	± 0.11	
± 1.0 mm	± 0.12	
± 1.2 mm	± 0.14	
± 1.5 mm	± 0.18	
± 2.0 mm	± 0.25	
± 2.5 mm	± 0.32	
± 3.0 mm	± 0.40	
± 4.0 mm	± 0.50	
± 5.0 mm	± 0.63	
± 6.0 mm	± 0.75	
± 8.0 mm	± 0.95	
± 10 mm	± 1.18	

THE INFORMATION CONTAINED IN THESE DOCUMENT IS PROPERTY EXCLUSIVE OF MAQUINARIA IUSA THEREFORE, THE TOTAL OR PARTIAL REPRODUCTION WITHOUT NOT CONSENT CANNOT WRITING BE USED OF MAQUINARIA IUSA S.A DE C.

MAQUINARIA IUSA S.A. DE C.V.
 LA INFORMACION CONTENIDA EN ESTE DOCUMENTO ES PROPIEDAD EXCLUSIVA DE MAQUINARIA IUSA S.A. DE C.V. REPRODUCCION TOTAL O PARCIAL SIN EL CONSENTIMIENTO DE MAQUINARIA IUSA S.A. DE C.V. ESTA PROHIBIDA.
 GENERAL. ADJUSTMENT GENSET 200 KW WITH INTEGRATED TANK
 CAPACITY OF 200 KW IN EMERGENCY 3-4-6-8-10-12-15-18-20-24-30-36-40-45-50-60-70-80-90-100-120-150-180-200 KW WITH INTEGRATED TANK
 DATE: 04-06-07
 DRAWN: J.L.S. REVIEW: R.P. APPROVED: H.D. REV. 01
 SCALE: 1:1
 DIMENSION: mm
 SHEET 1 OF 3



APPLICATE STANDARD	REVIEW
NORM	

NOTE: DIMENSIONS IN [] ARE INCH

DESCRIPTION	REVIEW NUMBER OF CHANGE	DATE	REVIEW
LIST OF REVISIONS			

200 KW
60HZ/40C COOLING
NEF60TE2 SERIES IVECO
TIER I

MATERIAL	PART NUMBER	WEIGHT (kg)	FINISH	NOT FINISH
NA	NA	NA	NA	NA

MANUFACTURING TOLERANCE	DECIMAL	LINEAR	DIAMETER	ANGULAR
RANGE				
0 mm - 500 mm	± 0.1 mm	± 0.12	± 0.12	No. DIM
500 mm - 1000 mm	± 0.15 mm	± 0.15	± 0.15	90 ± 2
1000 mm - 1200 mm	± 0.2 mm	± 0.2	± 0.2	
1200 mm - 1500 mm	± 0.25 mm	± 0.25	± 0.25	
1500 mm - 2000 mm	± 0.3 mm	± 0.3	± 0.3	
2000 mm - 2500 mm	± 0.4 mm	± 0.4	± 0.4	
2500 mm - 3000 mm	± 0.5 mm	± 0.5	± 0.5	
3000 mm - 4000 mm	± 0.6 mm	± 0.6	± 0.6	
4000 mm - 5000 mm	± 0.8 mm	± 0.8	± 0.8	
5000 mm - 6000 mm	± 1.0 mm	± 1.0	± 1.0	
6000 mm - 8000 mm	± 1.2 mm	± 1.2	± 1.2	
8000 mm - 10000 mm	± 1.5 mm	± 1.5	± 1.5	
10000 mm - 15000 mm	± 2.0 mm	± 2.0	± 2.0	
15000 mm - 20000 mm	± 2.5 mm	± 2.5	± 2.5	
20000 mm - 30000 mm	± 3.0 mm	± 3.0	± 3.0	
30000 mm - 40000 mm	± 4.0 mm	± 4.0	± 4.0	
40000 mm - 50000 mm	± 5.0 mm	± 5.0	± 5.0	
50000 mm - 60000 mm	± 6.0 mm	± 6.0	± 6.0	
60000 mm - 80000 mm	± 8.0 mm	± 8.0	± 8.0	
80000 mm - 100000 mm	± 10.0 mm	± 10.0	± 10.0	

DESCRIPTION	REVIEW NUMBER OF CHANGE	DATE	REVIEW
LIST OF REVISIONS			

DATE	BY	REVIEW	APPROVED	REV.
04-06-07	ALLES	RTR	HDL	01

CUSTOMER: MAQUINARIA ICSA S.A. DE C.V.
 GENERAL ADJUSTMENT GEN.SPT 200 KW WITH INTEGRATED TANK
 CAPACITY OF 200 KW IN EMERGENCY 3-4-6-8-10-12-15-18-20-24-30-36-40-48-54-60-72-84-96-108-120-132-144-156-168-180-192-210-228-240-252-270-288-300-324-342-360-378-396-414-432-450-468-486-504-522-540-558-576-594-612-630-648-666-684-702-720-738-756-774-792-810-828-846-864-882-900-918-936-954-972-990-1008-1026-1044-1062-1080-1098-1116-1134-1152-1170-1188-1206-1224-1242-1260-1278-1296-1314-1332-1350-1368-1386-1404-1422-1440-1458-1476-1494-1512-1530-1548-1566-1584-1602-1620-1638-1656-1674-1692-1710-1728-1746-1764-1782-1800-1818-1836-1854-1872-1890-1908-1926-1944-1962-1980-1998-2016-2034-2052-2070-2088-2106-2124-2142-2160-2178-2196-2214-2232-2250-2268-2286-2304-2322-2340-2358-2376-2394-2412-2430-2448-2466-2484-2502-2520-2538-2556-2574-2592-2610-2628-2646-2664-2682-2700-2718-2736-2754-2772-2790-2808-2826-2844-2862-2880-2898-2916-2934-2952-2970-2988-3006-3024-3042-3060-3078-3096-3114-3132-3150-3168-3186-3204-3222-3240-3258-3276-3294-3312-3330-3348-3366-3384-3402-3420-3438-3456-3474-3492-3510-3528-3546-3564-3582-3600-3618-3636-3654-3672-3690-3708-3726-3744-3762-3780-3798-3816-3834-3852-3870-3888-3906-3924-3942-3960-3978-3996-4014-4032-4050-4068-4086-4104-4122-4140-4158-4176-4194-4212-4230-4248-4266-4284-4302-4320-4338-4356-4374-4392-4410-4428-4446-4464-4482-4500-4518-4536-4554-4572-4590-4608-4626-4644-4662-4680-4698-4716-4734-4752-4770-4788-4806-4824-4842-4860-4878-4896-4914-4932-4950-4968-4986-5004-5022-5040-5058-5076-5094-5112-5130-5148-5166-5184-5202-5220-5238-5256-5274-5292-5310-5328-5346-5364-5382-5400-5418-5436-5454-5472-5490-5508-5526-5544-5562-5580-5598-5616-5634-5652-5670-5688-5706-5724-5742-5760-5778-5796-5814-5832-5850-5868-5886-5904-5922-5940-5958-5976-5994-6012-6030-6048-6066-6084-6102-6120-6138-6156-6174-6192-6210-6228-6246-6264-6282-6300-6318-6336-6354-6372-6390-6408-6426-6444-6462-6480-6498-6516-6534-6552-6570-6588-6606-6624-6642-6660-6678-6696-6714-6732-6750-6768-6786-6804-6822-6840-6858-6876-6894-6912-6930-6948-6966-6984-7002-7020-7038-7056-7074-7092-7110-7128-7146-7164-7182-7200-7218-7236-7254-7272-7290-7308-7326-7344-7362-7380-7398-7416-7434-7452-7470-7488-7506-7524-7542-7560-7578-7596-7614-7632-7650-7668-7686-7704-7722-7740-7758-7776-7794-7812-7830-7848-7866-7884-7902-7920-7938-7956-7974-7992-8010-8028-8046-8064-8082-8100-8118-8136-8154-8172-8190-8208-8226-8244-8262-8280-8298-8316-8334-8352-8370-8388-8406-8424-8442-8460-8478-8496-8514-8532-8550-8568-8586-8604-8622-8640-8658-8676-8694-8712-8730-8748-8766-8784-8802-8820-8838-8856-8874-8892-8910-8928-8946-8964-8982-9000-9018-9036-9054-9072-9090-9108-9126-9144-9162-9180-9198-9216-9234-9252-9270-9288-9306-9324-9342-9360-9378-9396-9414-9432-9450-9468-9486-9504-9522-9540-9558-9576-9594-9612-9630-9648-9666-9684-9702-9720-9738-9756-9774-9792-9810-9828-9846-9864-9882-9900-9918-9936-9954-9972-9990-10008-10026-10044-10062-10080-10098-10116-10134-10152-10170-10188-10206-10224-10242-10260-10278-10296-10314-10332-10350-10368-10386-10404-10422-10440-10458-10476-10494-10512-10530-10548-10566-10584-10602-10620-10638-10656-10674-10692-10710-10728-10746-10764-10782-10800-10818-10836-10854-10872-10890-10908-10926-10944-10962-10980-11000